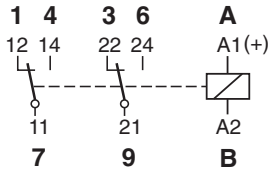




Relay compatible with sockets:
S5-S, S5-L, S5-P, S5-PO



C5-A20



General purpose
Two change-over contacts

16 A 400 V AC1 0.5 A 110 V DC1
16 A 30 V DC1 0.2 A 220 V DC1

Contacts

Materials: Standard, code 0 AgNi
Optional, code 8 AgNi + 10µAu
Optional, code 9 AgNi + 0.2µAu

Max. switching current 16 A
Max. peak inrush current (20 ms) 40 A
Max. switching voltage 400 V
Max. AC load (Table 1) 4 KVA
Max. DC load (Table 2)

Coils (Ohms ±10% @ 20°C)

Pull-in voltage ≤0.8 x U_n
Drop-out voltage ≥0.1 x U_n
Nominal coil power 2.4 VA (AC)/1.4 W (DC)

VAC	Ω	mA	VDC	Ω	mA
24	65	100	24	414	58
48	286	50	48	1K6	30
115	1K7	21	110	8K1	13
230	6K8	10	220	35K6	6
400	18K8	6			

Table 1 Electrical Life, ops. x 10⁶

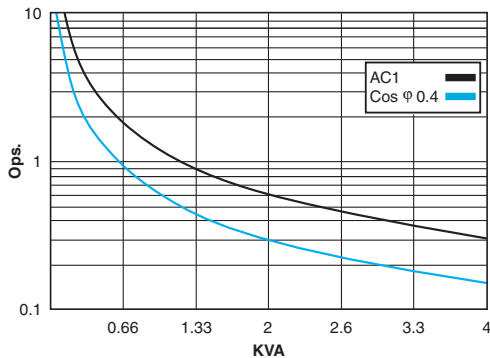
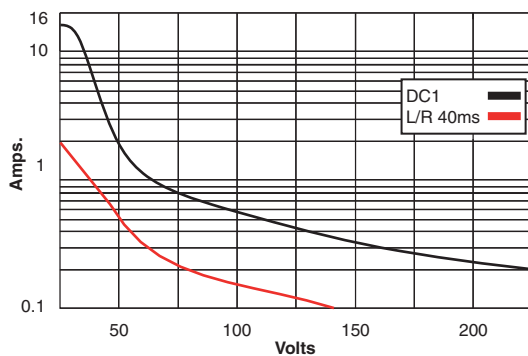


Table 2 Max. DC Load



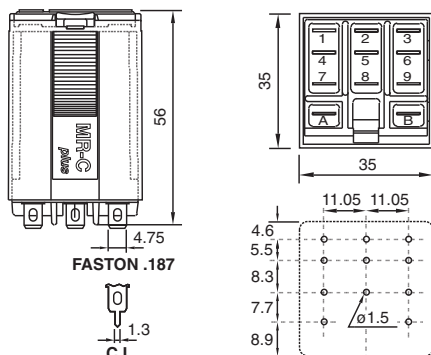
Insulation

Dielectric strength (1 minute): Open contacts 1,000 V
Between adjacent poles 4 KV
Between contacts and coil 4 KV
Isolation resistance at 500 V ≥3 GΩ
Isolation, IEC 61810-5: 4 KV/3

Specifications

Operate time + bounce time 20 ms
Release time + bounce time 10 ms
Ambient temperature -40°C (no ice) to +70°C
Mechanical life ops. 10 Mill. AC, 20 Mill. DC relays
Electrical life at nominal load ≥100,000 ops.
Operating frequency at nominal load 1,200/hour
Protection degree IP 40/RT1
Weight avg. 90 g

Dimensions - mm



Standard Types

AC 50 Hz, (60 Hz): 24, 48, 115, (120), 230, (240), 400
X = LED (standard) C5-A20X.....VAC
RC suppressor C5-A20R.....VAC

DC 24, 48, 110, 220

X = LED, no polarity (standard) C5-A20X..... VDC
Free-wheeling diode C3-A20DX VDC
Polarity and free-wheeling diodes C5-A20FX..... VDC
AC/DC bridge rectifier (24, 48 or 60 V) C5-A20BX VDC

