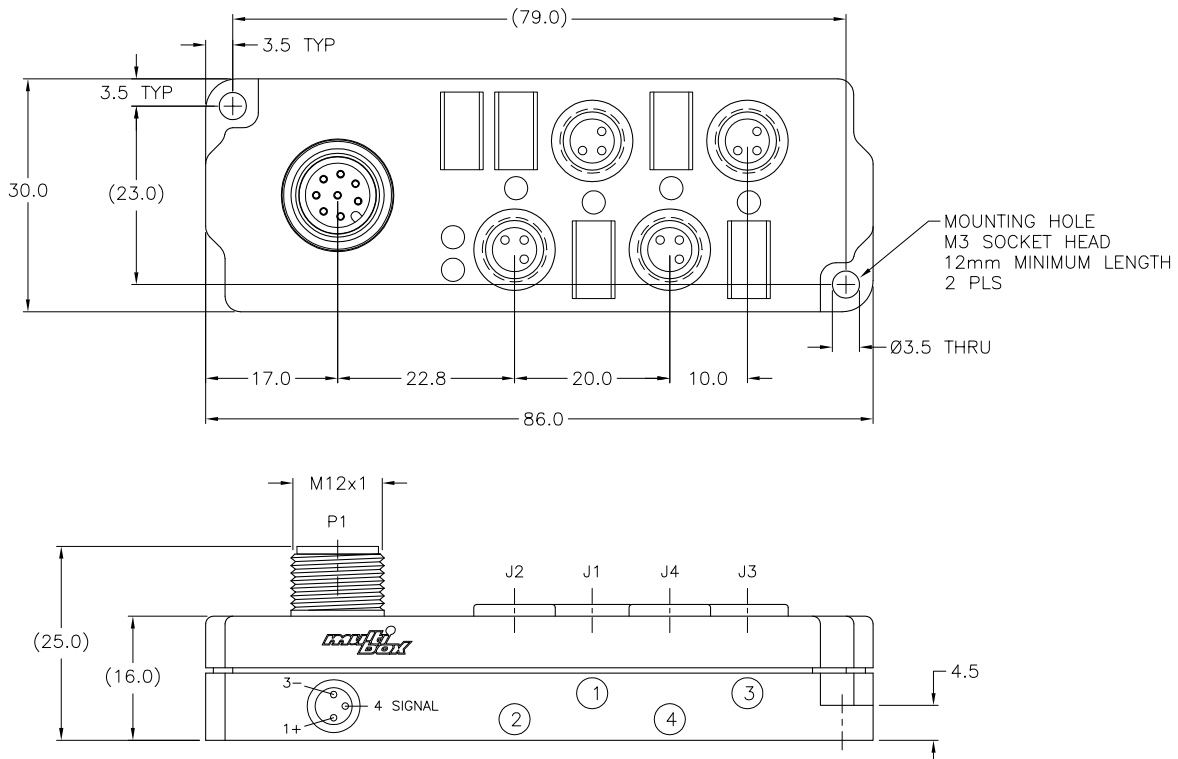


WIRING DIAGRAM	CONNECTOR (P1)	CONNECTORS (J1-J4)	SPECIFICATIONS	
	 	 	MATING CORDSET	RKC 8.6T-*
			HOUSING MATERIAL/COLOR	NYLON/YELLOW
			RECEPTACLE MATERIAL/FINISH	BRASS/NICKEL (P1), (J1-J4)
			CONTACT CARRIER MATERIAL/COLOR	NYLON/YELLOW (P1), (J1-J4)
			CONTACTS	GOLD-PLATED BRASS
			OPERATING VOLTAGE	48 V DC
			OPERATING CURRENT	3.0 A PER PORT, 3.0 A TOTAL
			PROTECTION CLASS to DIN 40050	IP 67 - ONLY WHEN ALL RECEPTACLES ARE COVERED WITH PLUGS OR CONNECTED
			OPERATING TEMPERATURE	-30°C to 80°C (-22°F to 176°F)



SOURCE DRAWING - FOR REFERENCE ONLY

RELATED DOCUMENTS 1. 2. 3. 4.	3RD ANGLE PROJECTION 	THIS DRAWING IS PROPERTY OF TURCK INC. USE OF THIS DOCUMENT WITHOUT WRITTEN PERMISSION IS PROHIBITED.		3000 CAMPUS DRIVE MINNEAPOLIS, MN 55441 1-800-544-7769 (763) 553-7300 (763) 553-0708 fax turck.com	
	MATERIAL	DRFT	JBJ	DATE	07/27/00
	SEE SPECIFICATIONS	DSGN		SCALE	1=1.0
	FINISH	UNIT OF MEASUREMENT		DESCRIPTION	
SEE SPECIFICATIONS	MILLIMETERS		VB 403M-FS 8		
	CONTACT TURCK FOR MORE INFORMATION		IDENTIFICATION NO.		REV
	DO NOT SCALE THIS DRAWING		U7036		C
			FILE: PICO-B\U7036		SHEET 1 OF 1

C	UPDATE CLICHE' FROM PICOFAST TO MULTIBOX	RDS	07/29/03	10638
REV	DESCRIPTION	BY	DATE	ECO NO.