

## Patch panels - FL-PP-RJ45-LSA - 2901645

Please be informed that the data shown in this PDF Document is generated from our Online Catalog. Please find the complete data in the user's documentation. Our General Terms of Use for Downloads are valid (<http://phoenixcontact.com/download>)



Patch panel, one RJ45 socket to 8 IDC connection terminal blocks (1:1 assignment), CAT5e, 10/100/1000 Mbps, DIN rail mounting, IP20, option of shield contacting on DIN rail via jumpers

### Product Features

- Safe shield connection to ground potential
- CAT5e
- Mounting on a DIN rail
- 10/100/1000 Mbps
- Optional shield connection via jumpers



Ethernet



### Key Commercial Data

Packing unit	1 pc
Weight per Piece (excluding packing)	80.0 g
Custom tariff number	85369010
Country of origin	Germany

### Technical data

#### Dimensions

Width	29 mm
Height	90 mm
Depth	53 mm

#### Ambient conditions

Ambient temperature (operation)	-25 °C ... 70 °C
Ambient temperature (storage/transport)	-25 °C ... 85 °C
Permissible humidity (operation)	25 % ... 95 % (non-condensing)
Degree of protection	IP20

## Patch panels - FL-PP-RJ45-LSA - 2901645

### Technical data

#### General

Net weight	58.6 g
Housing material	PVC / PA
Color	green
MTBF	6702 Years (Telcordia standard, 25°C temperature, 21% operating cycle (5 days a week, 8 hours a day))
	2962 Years (Telcordia standard, 40°C temperature, 34.25% operating cycle (5 days a week, 12 hours a day))

#### Serial interface

Interface 1	Ethernet interface, 10/100/1000Base-T(X) according to IEEE 802.3u
Connection method	LSA
Transmission length	100 m (including patch cables)
Conductor cross section solid min.	0.128 mm <sup>2</sup>
Conductor cross section solid max.	0.325 mm <sup>2</sup>
Conductor cross section flexible min.	0.128 mm <sup>2</sup>
Conductor cross section flexible max.	0.325 mm <sup>2</sup>
Conductor cross section AWG min.	26
Conductor cross section AWG max.	22
Pin assignment	1:1
Serial transmission speed	10/100/1000 Mbps
Interface 2	Ethernet interface, 10/100/1000Base-T(X) according to IEEE 802.3u
Connection method	RJ45 CAT5e

#### Standards and Regulations

Type of test	Vibration resistance in acc. with EN 60068-2-6/IEC 60068-2-6
Test result	5g, 150 Hz, 2.5 h, in XYZ direction
Type of test	Shock in acc. with EN 60068-2-27/IEC 60068-2-27
Test result	25g, 11 ms period, half-sine shock pulse

#### Classifications

##### eCl@ss

eCl@ss 4.0	27250591
eCl@ss 4.1	27240409
eCl@ss 5.0	27259207
eCl@ss 5.1	27230207
eCl@ss 6.0	27230207
eCl@ss 7.0	27230207
eCl@ss 8.0	19170112

## Patch panels - FL-PP-RJ45-LSA - 2901645

### Classifications

#### ETIM

ETIM 3.0	EC000313
ETIM 4.0	EC001128
ETIM 5.0	EC001128

#### UNSPSC

UNSPSC 6.01	30211506
UNSPSC 7.0901	39121008
UNSPSC 11	39121008
UNSPSC 12.01	39121008
UNSPSC 13.2	39121008

### Approvals

#### Approvals

---

Approvals

DNV / EAC

---

Ex Approvals

---

Approvals submitted

---

#### Approval details

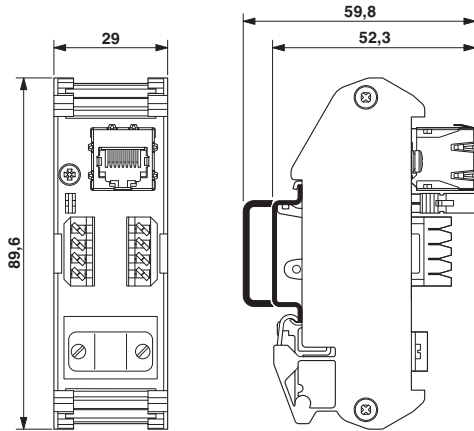
DNV
-----

EAC
-----

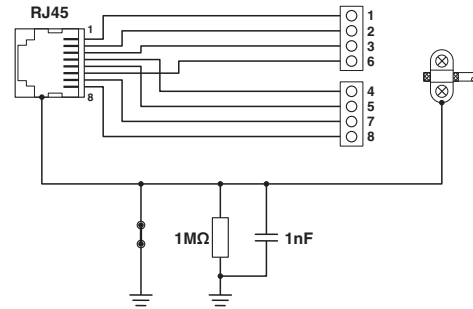
### Drawings

# Patch panels - FL-PP-RJ45-LSA - 2901645

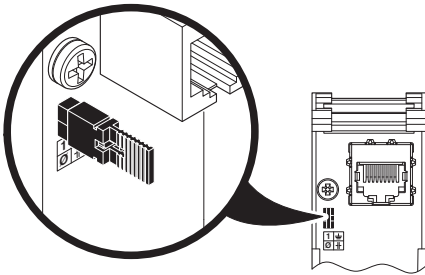
Dimensional drawing



Circuit diagram

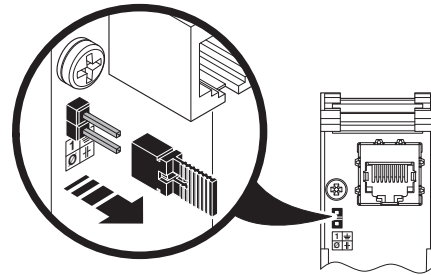


Schematic diagram



Shield connection direct to PE

Schematic diagram



Shield connection to PE via RC element