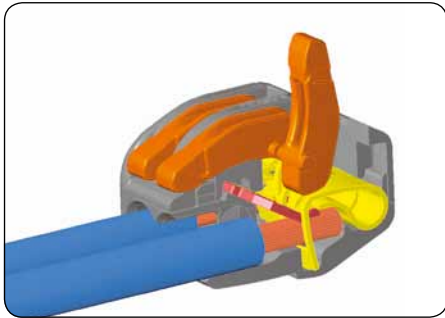


Compact Splicing Connectors for Fine-Stranded Conductors 222 Series

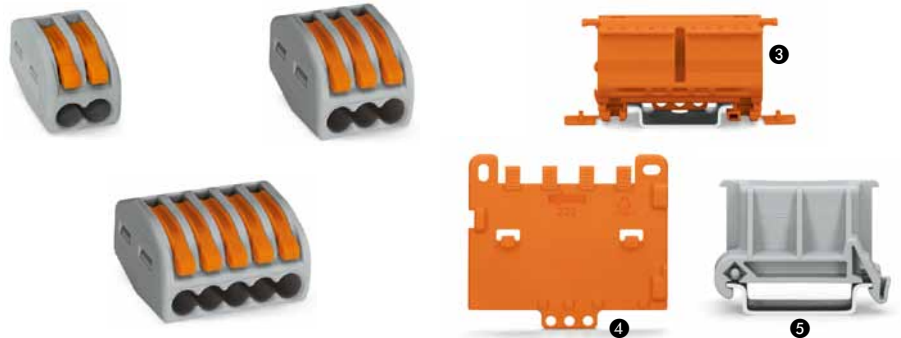


0.08 - 2.5 mm² "s+st"
0.08 - 4 mm² "f-st"
400 V/4 kV/2*
I_N 32 A

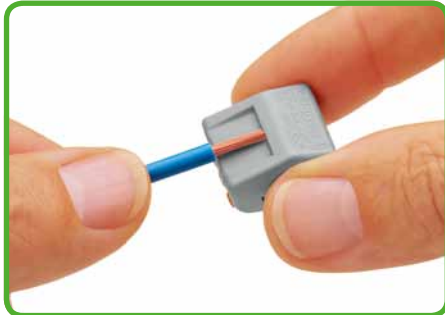
AWG 28 - 14 "s+f-st"
AWG 28 - 12 "f-st"
600 V, 20 A Ⓢ

Mounting carrier,
strain relief plate and
angled DIN-rail adapter
for 222 Series compact splicing connectors

9 - 10 mm / 0.37 in
Approvals

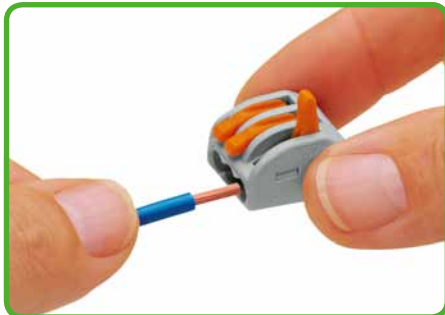


Strip length



Strip conductor to 9 - 10 mm / 0.37 in.

CAGE CLAMP® COMPACT connection



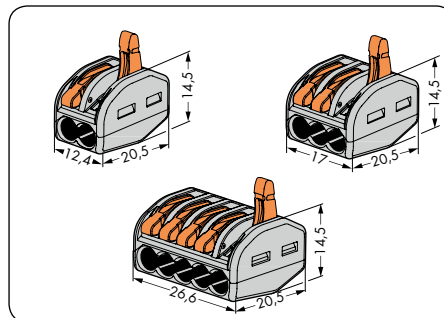
Conductor termination: Open clamping unit using the lever and insert conductor.



Then, lower lever to close the clamp.

Color	Item No.	Pack. Unit	Color	Item No.	Pack. Unit
Compact splicing connector, with levers, max. continuous service temperature: 85 °C			Mounting carrier ③, for 2, 3 and 5-conductor compact splicing connectors		
● gray	222-412	500	● orange	222-500	50 (5x10)
2-conductor connector			Strain relief plate ④, for mounting carrier		
● gray	222-413	500	● orange	222-505	50 (5x10)
3-conductor connector			Angled DIN-rail adapter ⑤, for DIN 35-rail mounting		
● gray	222-415	400	● gray	222-510	50 (5x10)
5-conductor connector			Self-adhesive marking strips, plain		
● gray	222-415	400	○ white	210-334	1 card

Dimensions and Handling



Vertical mounting with strain relief plate on DIN 35 rail. Marking clamping units via marking strips.



Wiring fine-stranded conductors in a junction box.



Testing connectors via test slots on top of the carrier.

CAGE CLAMP® clamps the following copper conductors:



② With ferruled conductors, the max. conductor cross section accommodated is one size smaller than max. rating of terminal block.
For technical explanations and abbreviations, see technical section.
* In grounded power lines