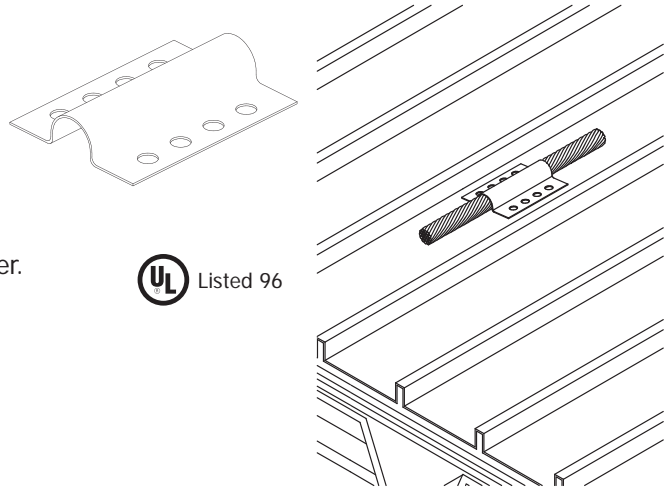


Adhesive Cable Holders

Part No.	Material	Box Qty.	Approx Box Wt. (lbs.)
261	Stamped Copper	100	8-1/4
A261	Aluminum	100	4
261T	ETPC*	100	8-1/4

- Economical stamped copper adhesive cable holder.
- May be used with all cables thru 3/0 or up to 1/2" diameter.
- Fast installing cable holder designed to permit maximum movement of thermally expanding or contracting cables.

*ETPC - Electro Tin Plated Copper

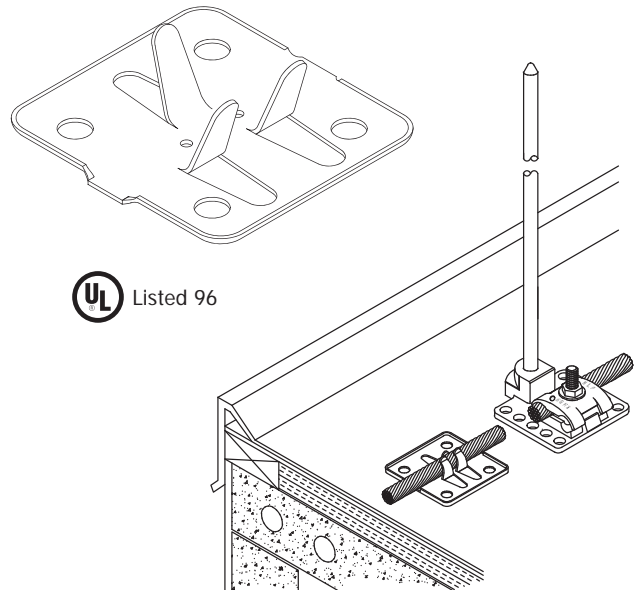


Section 2
Lightning Protection Components

Part No.	Material	Box Qty.	Approx Box Wt. (lbs.)
262	Stamped Copper	500	45
A262	Aluminum	500	22
262T	ETPC*	500	45

- Superior stamped copper cable holder secured by a surface compatible adhesive.
- Will not "roll-up" or loosen due to cable pull as will the round type.
- Use on any flat surface where a fast, secure, adhesive cable holder is required.
- Designed for use with all cables thru 4/0 or up to 9/16" diameter.
- Turned up edges for reduced puncture hazard and pooling area for increased adhesion.

*ETPC - Electro Tin Plated Copper



TECHNICAL NOTES:

- Conductors shall be fastened to the structure upon which they are placed at intervals not exceeding 0.9 m (3 ft).*
- Clips for securing copper conductors shall be cast or made from sheet copper with a minimum thickness of 0.032 inch (0.81 mm) and a minimum width of 3/8 inch (9.5 mm).**
- Aluminum clips for securing aluminum conductors shall be of cast aluminum or made from sheet aluminum with a minimum thickness of 0.051 inch (1.3 mm) thick and a minimum thickness of 1/2 inch (12.7 mm) wide.**

*Per NFPA 780 Conductor Fasteners Section 4.10

**UL96 Standard for Lightning Protection Components Sections 15.1 & 15.2