

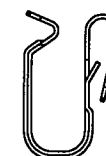
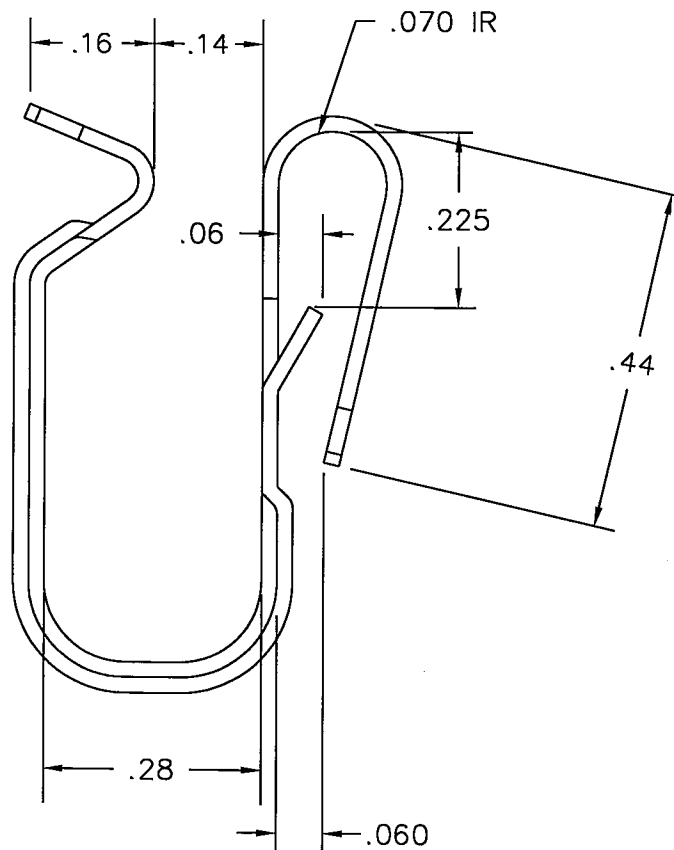
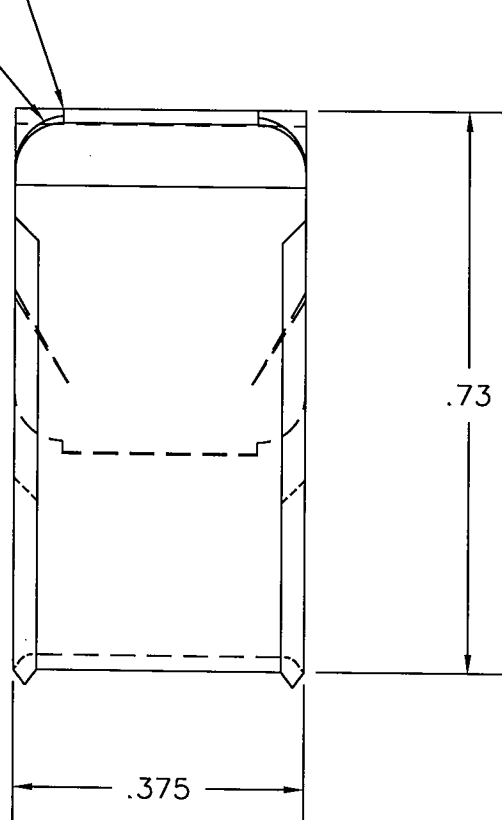
TOLERANCES  
UNLESS NOTED

2 PLACE	+/- .020
3 PLACE	+/- .010
ANGLES	+/- 3°

NOTES: 1. © STAMP MUST APPEAR ON FACE OF PART.

.015 CARRY TAB 2 PLCS.

.06 R 4 PLCS.



ACTUAL SIZE

NOTICE TO PERSONS RECEIVING THIS DRAWING AND/OR TECHNICAL INFORMATION DIE CO.,INC. CLAIMS PROPRIETARY RIGHTS TO THE MATERIAL DISCLOSED HEREIN. THIS DRAWING AND/OR TECHNICAL INFORMATION IS ISSUED IN CONFIDENCE FOR ENGINEERING INFORMATION ONLY AND MAY NOT BE REPRODUCED OR USED TO MANUFACTURE ANYTHING SHOWN OR REFERRED TO HEREON WITHOUT DIRECT WRITTEN PERMISSION FROM DIE CO.,INC. TO THE USER. THIS DRAWING AND/OR TECHNICAL INFORMATION IS THE PROPERTY OF DIE CO.,INC. AND IS LOANED FOR MUTUAL ASSISTANCE, TO BE RETURNED WHEN ITS PURPOSE HAS BEEN SERVED.

# NINE FASTENERS

SCALE: 4 TIMES

DATE: 12 JUN 08

CAD FILE: D1307CPR3

DRAWN BY: SJZ

DCS-1307

CLIP

MATERIAL: .020 THK. 410 STAINLESS STEEL ANN.

DRAWING NUMBER  
DCS-1307