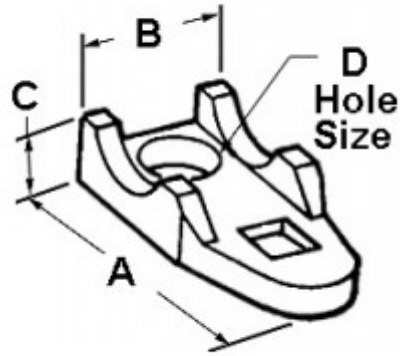


Clamp Back, Malleable Iron, Size 1/2 Inch

Provides space between conduit and mounting surface. For use with Malleable Iron or Aluminum straps.

[Download Photo](#)[Download Drawing](#)

Product details

Catalog Number:	941
UPC Number:	781747009418
Primary Materials:	Malleable Iron
Finish:	Zinc electro-plate
Trade Size:	1/2"
Unit Quantity:	50
Standard Package Quantity:	250

Dimensions

Trade Size:	1/2"
Dimensions A:	2-1/16
Dimensions B:	1
Dimensions C:	1/2
Dimensions D:	3/8

Certifications & Codes

UL File Number: E161206

UNSPSC: 31162906

UL Standard: UL-514B