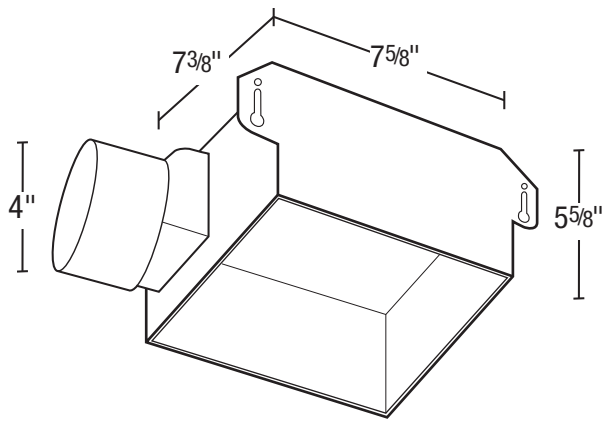




SPECIFICATIONS
ASLCHSG
 EXHAUST FAN HOUSING

Exhaust Fan with Light Housing

- **Fan Housing**
 23 gauge galvanized metal housing.
 Dimensions 7³/₈" x 7⁵/₈" x 5⁷/₈".
- **Duct Collar**
 Plastic collar for 4" duct connection, comes complete with built in non-metallic back draft damper for quiet operation.
- **Unit Mounting**
 Rated Type IC for ceilings insulated to R-40. Designed to mount in ceilings with at least 6" of clearance. The unit will mount directly to the joist or using the supplied mounting bars with a rough in opening of 7³/₈" x 7⁷/₈". The housing will mount through drywall thickness up to 3/4".
- **Electrical Connections**
 1/2" electrical knockouts provided.
- **Available Trim Kits**
ASLC50MBG: 50 CFM
ASLC70MBG: 70 CFM
- **Shipping Info**
 Number of Housings in Box: 4
 UPC Code: 083162225115



Housing ONLY. Must be combined with ASLCMBG series trim kit (sold separately)

PROJECT					ARCHITECT				
LOCATION					ENGINEER				
CONTRACTOR					SUBMITTED BY			DATE	
FAN NUMBER	MODEL NUMBER	CFM	IN W.G.	RPM	WATTS	AMPS	SONES	QTY	OPTIONAL EQUIPMENT & REMARKS



820 Lincoln Avenue
 West Chester, Pennsylvania 19380-4466
 Tel: (610) 692-7400 • 877-304-3785
 Fax: (610) 696-8048