



SERVICE PARTS LIST

BULLETIN NO.
54-20-0010

SPECIFY CATALOG NO. AND SERIAL NO. WHEN ORDERING PARTS		REVISED BULLETIN	DATE
13 HP DIRECT DRIVE PRESSURE WASHER			Sept. 2006
CATALOG NO. 4555-22	STARTING SERIAL NUMBER	B06A	
WIRING INSTRUCTION			

00 **0** **EXAMPLE:**
Component Parts (Small #)
Are Included When Ordering
The Assembly (Large #).

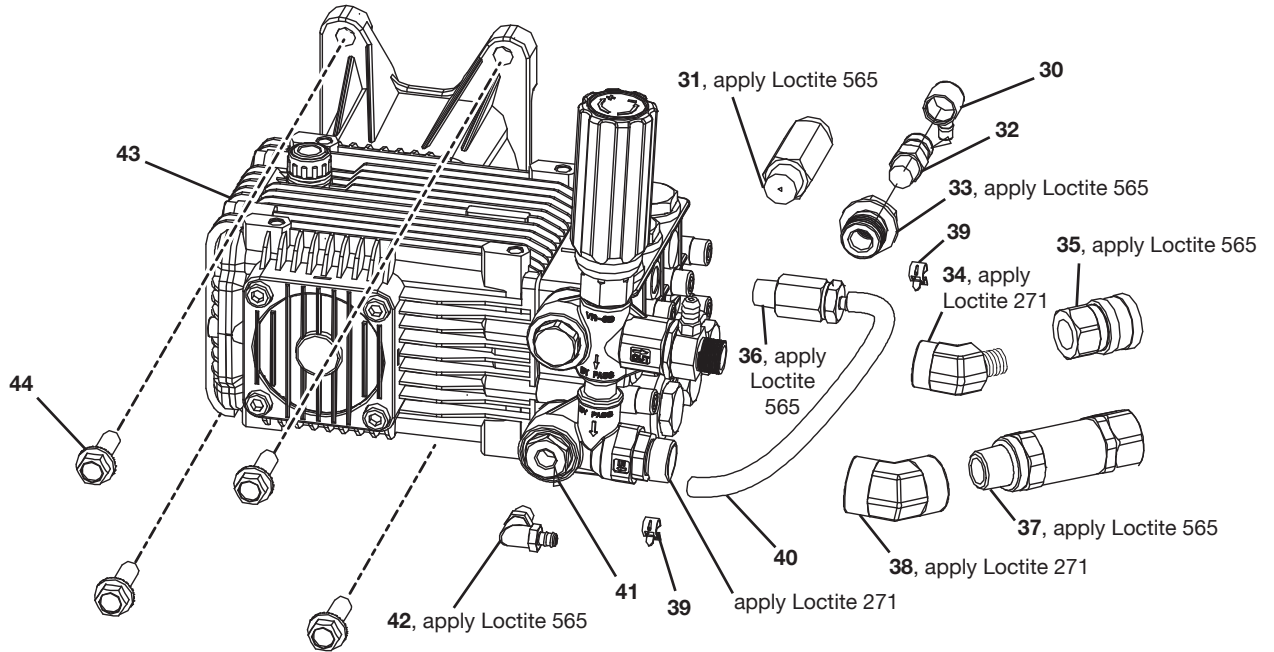


FIG.	PART NO.	DESCRIPTION OF PART	NO. REQ.	FIG.	PART NO.	DESCRIPTION OF PART	NO. REQ.
30	42-68-0850	Black Spout	1	38	42-86-0300	45° Angle Pipe Inlet	1
31	42-90-0510	Pressure Relief Valve	1	39	*	Fuel Line Hose Clamp	2
32	42-90-0500	Thermal Relief Valve	1	40	43-75-0105	Low Pressure Return Hose	1
33	42-86-0350	Reducer	1	41	42-32-0400	Inlet Bolt	1
34	42-86-0200	45° Angle Pipe Outlet	1	42	43-24-0500	90° Elbow	1
35	42-90-0550	HP Outlet	1	43	44-78-0075	Pump (RKV4G36) (complete)	1
36	42-77-0300	E-Z Start Valve	1	44	*	Bolt (3/8-16 x 1-1/4 in.)	4
37	42-90-0600	Garden Hose Coupler/Filter	1				

* Standard Hardware - Purchase Locally

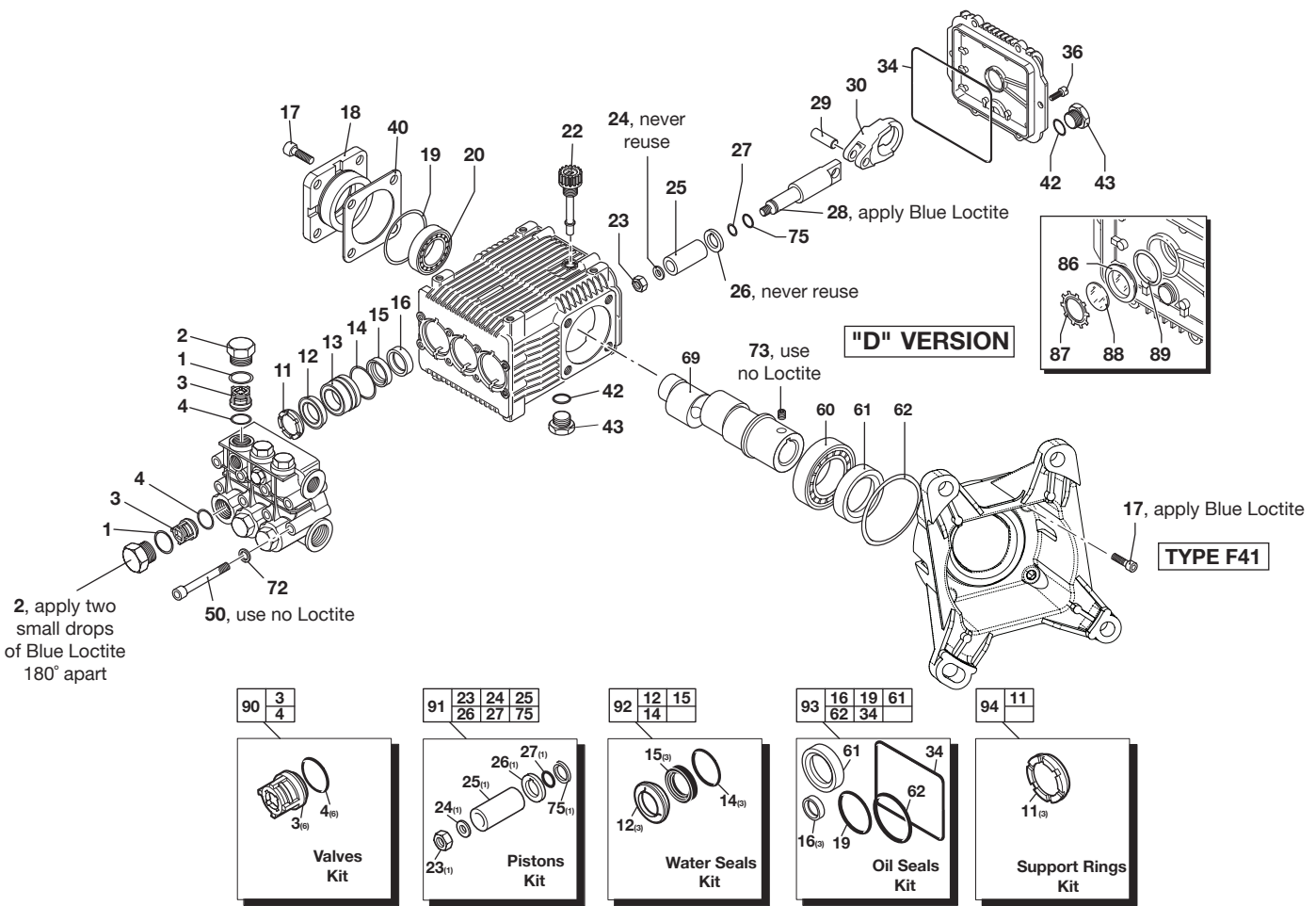


FIG.	PART NO.	DESCRIPTION OF PART	NO. REQ.	FIG.	PART NO.	DESCRIPTION OF PART	NO. REQ.
1	34-40-1700	O-Ring	6	36	06-14-0205	Bolt (M6 x 14 mm), **89 (7.5)	6
2	42-52-0425	Valve Cap, **478 (40s)	6	40	45-14-0300	Shim (0.10 mm)	1-3
3	-----	Complete Valve	6	40	45-14-0310	Shim (0.20 mm)	1-3
4	-----	O-Ring	6	40	45-14-0315	Shim (0.25 mm)	1-3
6	34-40-1710	O-Ring	2	40	45-14-0320	Shim (0.5 mm)	1-3
11	-----	Support Ring	3	42	34-40-1735	O-Ring	3
12	-----	High Pressure Packing	3	43	44-68-0200	Plug	2
13	43-56-0950	Piston Guide	3	50	06-14-0210	Head Bolt (M8 x 70 mm), **217 (18)	8
14	-----	O-Ring	3	60	02-50-0205	Bearing	1
15	-----	Gasket	3	61	-----	Oil Seal	1
16	-----	Oil Seal	3	62	-----	O-Ring	1
17	06-14-0200	Bolt (M8 x 16 mm), **217 (18)	8	69	45-08-0340	Hollow Shaft	1
18	30-10-0200	Closed Bearing Support	1	72	45-88-1905	Washer	8
19	-----	O-Ring	2	73	06-83-0150	Set Screw (M6 x 6 mm)	1
20	02-50-0200	Bearing	1	75	-----	Back-up Ring	3
22	42-52-0430	Vented Oil Cap	1	86	43-50-0100	Oil Sight Glass	1
23	-----	Nut (M8), **106 (8.8)	3	87	34-60-0150	Snap Ring	1
24	-----	Washer	3	88	43-06-0220	Contrast Disc	1
25	-----	Ceramic Piston	3	89	34-40-1745	O-Ring	1
26	-----	Slinger	3	90	45-80-0320	Valves Kit	1
27	-----	O-Ring	3	91	44-62-0300	Pistons Kit	1
28	44-62-0280	Guiding Piston	3	92	44-90-0490	Water Seals Kit	1
29	44-60-1820	Piston Pin	3	93	43-44-1190	Oil Seals Kit	1
30	44-94-0470	Con Rod	3	94	44-90-0480	Support Rings Kit	1
34	-----	O-Ring	1	49-32-0150	-----	Pump Oil	1

* Standard Hardware - Purchase Locally

** Torque Specifications - inch pounds (foot pounds)