

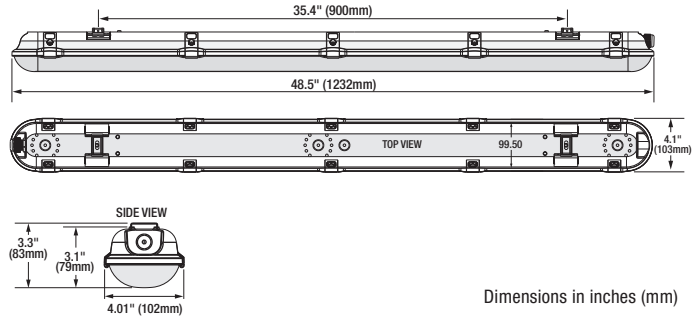
LEDVANCE Luminaires

VAPOR TIGHT



Catalog #	Type
Project	
Notes	
Date	
Prepared by	

Dimensions



Dimensions in inches (mm)

Product Features

The Vapor Tight luminaires are environmentally preferable LED alternatives to traditional HID or fluorescent luminaires, offering up to 67% in energy savings. Ideal in place of traditional luminaires, or as new installations, the Vapor Tight series is suitable for illuminating garages, stairwells, industrial areas, canopies, and outdoor walkways.

The Vapor Tight luminaires are IP65 rated and are offered with integrated sensor and emergency backup options. LEDVANCE luminaires assure optimum light engine performance for extended service and rated life (≥66,000 hours L₇₀).

Wattage Comparison Chart

Vapor Tight

Traditional Source	Traditional System Wattage	LED System Wattage	Energy Savings
2 F28 T8	50	50	0%
2 F32 T8	54	50	7%
1 F96 T12	86	50	67%
70 W HPS	91	50	67%

Specifications

Weight: 4.8 lbs (2.2 kg) Standard 5.5 lbs (2.5 kg) Emergency
 5.1 lbs (2.3 kg) Sensor 5.8 lbs (2.6 kg) Sensor and Emergency

Construction: One-piece polycarbonate housing with one-piece polycarbonate lens and stainless steel clips. The standard color is gray.

LED System: LED system with a life rating of ≥66,000 hours at L₇₀ @25°C. Luminaire efficacy up to 103 LPW.

Electrical: Offered in 50 Watts, the luminaire is designed to operate through the 120V-277Vac universal voltage range. The LED driver is a constant current device and meets UL1310 and UL48 Class 2 with built-in over temperature protection. The power factor is ≥90% and THD is ≤20%.

Dimming: The driver is 0-10V dimmable (down to 6%). Please reference the dimmer compatibility document (LEDLUM012).

Color Characteristics: CRI>80; CCT of 4000K or 5000K.

Optics: Type V distribution with a clear etched polycarbonate lens.

Installation: Luminaire mounts to recessed outlet box or can be surface or chain mounted (chain not included).

Operating Temperature: -40°F to +104°F (-40°C to +40°C);
 EM: +14°F to +104°F (-10°C to +40°C).

Listings: cULus listed to UL1598 standards for wet locations and IP65 rated.

Warranty: Standard 5-year luminaire warranty (LEDLUM001).

Note: Specifications subject to change without notice. IES files available online.



Ordering Guide

Item Number:

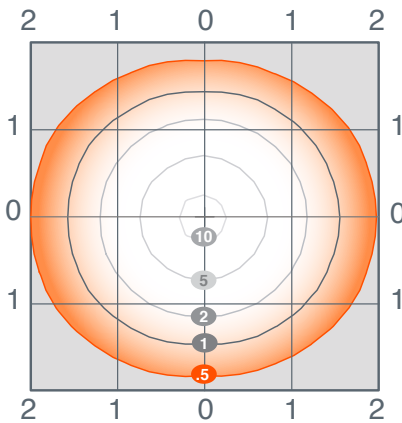
VAPOR	1A	/ 050	UNV	D	8	XX	/ 48	EC	/ GR	/ X	
Product Name	Generation	Wattage	Voltage	Dimming	CRI	Color Temp (CCT)	Size	Optics	Color/Finish	Options	
VAPOR	1A	050 = 50 Watts	UNV = 120-277V	D = 0-10V	8 = >80	40 = 4000K 50 = 5000K	48 = 48" Long	EC = Etched Lens Type V Distribution	GR = Gray	Blank = No Option D = Motion/Daylighting Sensor E = Emergency Backup	

*DLC not applicable to emergency versions.

Photometric Data

VAPOR1A/050UNVD8X0

Isofootcandle Lines at 12' Mounting Height



For other mounting heights apply the following multipliers:

Mounting Height	8'	10'	12'	15'	16'	18'
Multiplier	2.25	1.44	1.00	0.73	0.56	0.44

Fixture Spacing Chart

	VAPOR1A/050UNVD840/48EC/GR			VAPOR1A/050UNVD850/48EC/GR		
	On Center Fixture Spacing			On Center Fixture Spacing		
	8'x10'	10'x10'	10'x12'	8'x10'	10'x10'	10'x12'
8'	65.6	51.2	40.2	66.6	52	40.9
10'	63.6	49.9	39.2	64.7	50.6	39.8
12'	63.4	48.3	38.1	64.3	49.1	38.7
14'	61.7	47.3	37.2	62.7	48	37.8
16'	55.5	46.3	36.2	56.4	47	36.8
18'	53.9	44.7	35.3	54.8	45.4	35.9

Average Illuminance (fc) at 0" AFF.
80/50/20 reflectances.

Ordering Information

Item Number	Ordering Abbreviation	Power (W)	Input Voltage	Dimming	CRI	Color Temp (CCT)	Optics	Total Fixture Lumens	LPW*	Options
74222	VAPOR1A/050UNVD840/48EC/GR	50	120-277V	0-10V	>80	4000K	Etched Lens Canopy	5000	102	
74223	VAPOR1A/050UNVD850/48EC/GR	50	120-277V	0-10V	>80	5000K	Etched Lens Canopy	5000	103	
74224	VAPOR1A/050UNVD840/48EC/GR/D	50	120-277V	0-10V	>80	4000K	Etched Lens Canopy	5000	102	Sensor
74225	VAPOR1A/050UNVD850/48EC/GR/D	50	120-277V	0-10V	>80	5000K	Etched Lens Canopy	5000	103	Sensor
74226	VAPOR1A/050UNVD840/48EC/GR/E	50	120-277V	0-10V	>80	4000K	Etched Lens Canopy	5000	102	Emergency
74227	VAPOR1A/050UNVD850/48EC/GR/E	50	120-277V	0-10V	>80	5000K	Etched Lens Canopy	5000	103	Emergency
74228	VAPOR1A/050UNVD840/48EC/GR/DE	50	120-277V	0-10V	>80	4000K	Etched Lens Canopy	5000	102	Sensor, Emergency
74229	VAPOR1A/050UNVD850/48EC/GR/DE	50	120-277V	0-10V	>80	5000K	Etched Lens Canopy	5000	103	Sensor, Emergency
74310	VAPOR1A/REMOTE									

*LPW per LM79 report.
For further information and to learn more about utility rebates, contact your local SYLVANIA sales representative.

Options Information

Sensor: Motion and Daylight sensors are both available.

Motion Sensor (Default Setting):

Motion	100% lumen output
≥5min with no motion	30% lumen output
≥30min with no motion	Off

Daylight (Default Setting):

50fc/24H

Purchase remote control to create a preferred setting.

Emergency Battery Backup:

Activates when normal power supply to the fixture fails, providing a minimum of 500 lumens for at least 90 minutes.

LEDVANCE LLC
200 Ballardvale Street
Wilmington, MA 01887 USA
Phone 1-800-LIGHTBULB (1-800-544-4828)
www.sylvania.com

SYLVANIA and LEDVANCE are registered trademarks.
All other trademarks are those of their respective owners.
Product Licensee of Trademark SYLVANIA in General Lighting.
Specifications subject to change without notice.

[/sylvania](#) [/sylvania](#)

