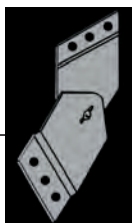


**Hinged Splices**

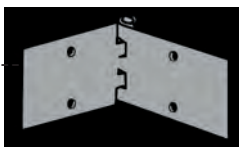
Horizontal and vertical hinged splices offer field flexibility to go around pipes, ducts, and other obstacles that occur during installation. Electrical continuity is maintained by using bonding jumpers such as AFS-C, which are purchased separately. Hinged splices for Ladder or Trough come in sets of two. Hinged splices for 4" and 6" Channel come as single units. Horizontal hinged splices require field drilling of the long hinge member and all hinged splices require additional supports, as they are not considered to be full strength mechanical splices. (hardware included)

**Horizontal**

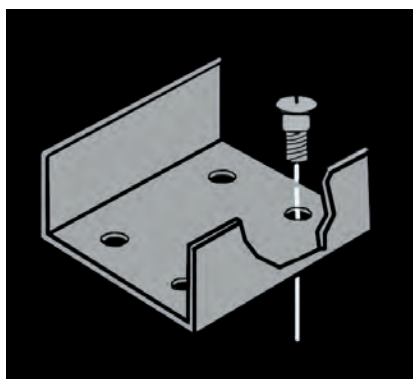


Channel ---

**Vertical**



Channel ---



Tray Depth or Type	Alum.	Mill Galv.	SS 304	SS 316	HDGAF	Galvan. (Husky Way)
3-3/8", 4", 4-1/2"	AFS-H4	SFS-H4	4FS-H4	6FS-H4	n/a	NSF-H4
6", 6-1/4", 7" (Except I6 & I8)	AFS-H6	SFS-H6	4FS-H6	6FS-H6	n/a	NSF-H6
I6	AFS-HI6	---	---	---	---	---
I8	AFS-HI8	---	---	---	---	---
4" CHANNEL(G4)	AFS-H4G	SFS-H4G	4FS-H4G	6FS-H4G	GFS-H4G	---
6" CHANNEL(G6)	AFS-H6G	SFS-H6G	4FS-H6G	6FS-H6G	GFS-H6G	---

Tray Depth or Type	Alum.	Mill Galv.	SS 304	SS 316	HDGAF	Galvan. (Husky Way)
3-3/8", 4", 4-1/2"	AFS-V4	SFS-V4	4FS-V4	6FS-V4	GFS-V4	NSF-V4
6", 6-1/4", 7" (Except I6 & I8)	AFS-V6	SFS-V6	4FS-V6	6FS-V6	GFS-V6	NSF-V6
I6	AFS-VI6	---	---	---	---	---
I8	AFS-VI8	---	---	---	---	---
4" CHANNEL(G4)	AFS-V4G	SFS-V4G	4FS-V4G	6FS-V4G	n/a	---
6" CHANNEL(G6)	AFS-V6G	SFS-V6G	4FS-V6G	6FS-V6G	n/a	---

**Channel Splice Plates**

Husky 4" and 6" wide Channel systems are supplied with the following wrap-around splice plates and hardware. Additional splice plates for field cuts can be ordered by the following catalog numbers.

Type	Width	Alum.	HDGAF	SS 304	SS 316
4" G4 Channel	4	ASP-Y2	SSP-Y2	4SP-Y2	6SP-Y2
6" G6 Channel	6	ASP-X2	SSP-X2	4SP-X2	6SP-X2



\*Above part numbers are for 1 pair (with the exception of G4 & G6—they are 1 ea). Hardware is included with the above items.