

LMSW-105 Digital 5-Button Scene Switch

Low voltage switch for control of four preset scenes and raise/lower control of scenes or loads

Component of Digital Lighting Management integrated control system

Plugs to other components using Cat 5e cables with RJ45 connectors eliminating wiring errors



Plug n' Go automatic configuration and Push n' Learn for personalization

Customizable buttons with LED status indicators

Active Dim feature enables temporary adjustment of any selected load

PROJECT

LOCATION/TYPE

Product Overview

Description

The LMSW-105 Digital Scene Switch is a low voltage device that sets and recalls preset lighting scenes and raises and lowers lighting levels. It is part of a Digital Lighting Management (DLM) system and controls loads connected to DLM room controllers by accessing four of the 16 scenes available in a DLM local network.

Operation

The LMSW-105 operates on Class 2 power supplied to a DLM local network by one or more room controllers. Plug n' Go automatic configuration assigns presets 1, 2, 3 and 4 to the scene buttons on the switch upon system startup. When multiple switches are installed, default operation is for multi-way control; each switch controls the same scenes. Scene buttons may be reconfigured to control different scenes or control loads instead of scenes. Users activate a scene by tapping one of the scene buttons. They may raise or lower light levels, and turn lights on or off, with the paddle. In Active Dim mode, users can temporarily adjust the level of any dimmable load or scene on the local network by selecting a load or scene button and then pressing and holding the paddle on the LMSW-105.

Features

- Hidden configuration button for easy access to Push n' Learn mode
- Used with DLM dimming room controller
- Master raise/lower paddle and all-on/all-off control
- Infrared (IR) transceiver for wireless configuration and control

Personalizing Scene Switches

Plug 'n Go assigns all loads to each LMSW-105 upon system startup. Load assignments may be changed using Push n' Learn. Preset scene levels are stored by the room controllers, and default levels are established by Plug n' Go. Scene 1 is 100%, scene 2 is 75%, scene 3 is 50% and scene 4 is 25%. Preset levels can be easily changed by adjusting lighting to the desired level, typically using LMDM-101 dimming switches assigned to control each load, or channel, and pressing and holding a scene button on the LMSW-105 to memorize the new levels. Each scene switch may be personalized in the field with custom-engraved buttons. The integral IR transceiver allows both wireless configuration and system operation.

Applications

The LMSW-105's sleek low profile appearance is ideally suited for use in conference and board rooms, classrooms, training centers, and other applications where preset scene-based dimming control is desired. The LMSW-105 Scene Switch works with LMDM-101 Digital Dimming Wall Switches to create a flexible and elegant small dimming system. Digital Lighting Management's Active Dim feature gives designers the option of reducing wall clutter by facilitating scene setting without the need for individual dimming switches for each load.

- Sleek single gang device fits decorator wall plates
- May be used for multi-way control applications
- LED status indicators
- Six color options and custom engraving options; standard buttons may be replaced in the field
- RoHS compliant
- Qualifies for ARRA-funded public works projects

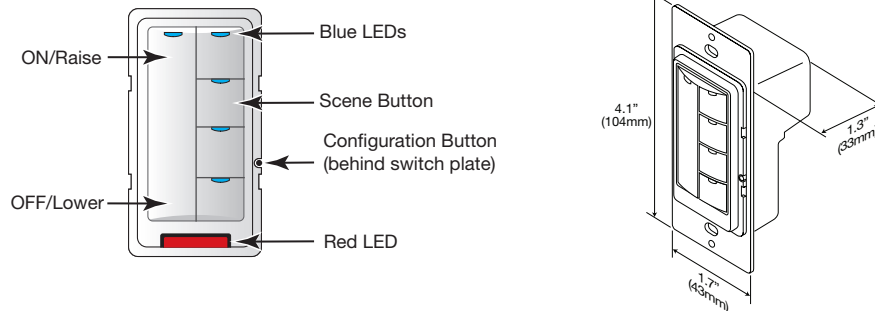


Specifications

- Input voltage: 24VDC from DLM local network
- Current consumption: 5mA
- DLM local network connection: 2 RJ45 ports
- Control button with LED status indicator
- Hidden configuration button for access to Push n'Learn mode
- Infrared (IR) transeiver
- Operating conditions: for indoor use only; 32-131°F (0-55°C); 5-95% RH, non-condensing
- UL and cUL listed
- FCC part 15 compliant
- Five year warranty

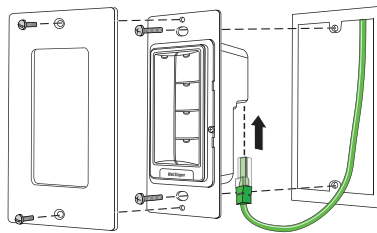
Controls & Dimensions

Switch Controls and Dimensions



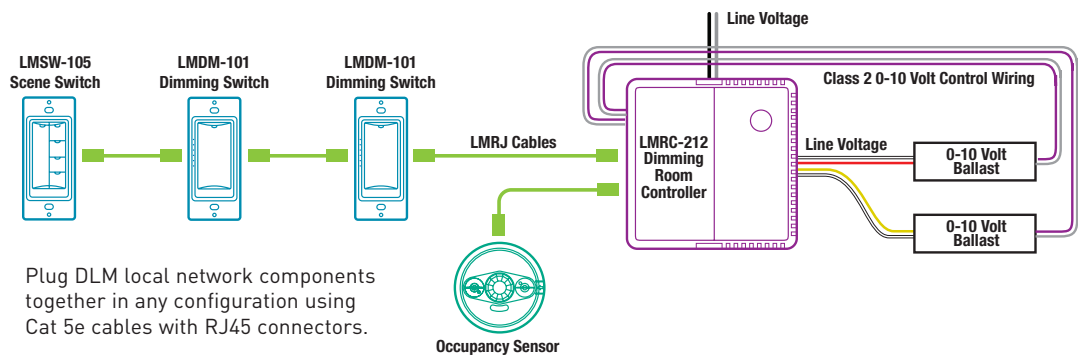
Mounting & Connecting

Mounting



LMSW-105 Scene Switches fit in standard single gang boxes.

Sample Connection Diagram with 0-10 Volt Dimming



Plug DLM local network components together in any configuration using Cat 5e cables with RJ45 connectors.

Ordering Information

Catalog No.	Color	Description
<input type="checkbox"/> LMSW-105-W	White	Digital 5-Button Scene Switch
<input type="checkbox"/> LMSW-105-W-U	White	Digital 5-Button Scene Switch, ARRA-compliant*
<input type="checkbox"/> LMSW-105-LA	Light Almond	Digital 5-Button Scene Switch
<input type="checkbox"/> LMSW-105-I	Ivory	Digital 5-Button Scene Switch
<input type="checkbox"/> LMSW-105-I-U	Ivory	Digital 5-Button Scene Switch, ARRA-compliant*
<input type="checkbox"/> LMSW-105-G	Grey	Digital 5-Button Scene Switch
<input type="checkbox"/> LMSW-105-B	Black	Digital 5-Button Scene Switch
<input type="checkbox"/> LMSW-105-R	Red	Digital 5-Button Scene Switch

Switches do not include face plates. Order decorator style plate separately.

*Product produced in the U.S.