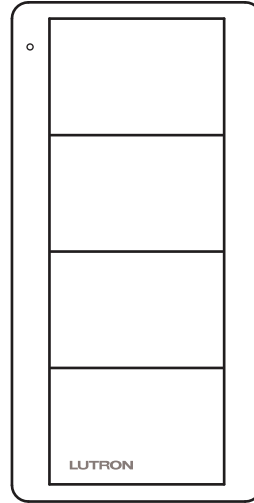


Pico® PRO 4-Button Wireless Control

The Pico® PRO 4-button wireless control is a flexible and easy to use device that allows the user to control Lutron® Caséta™ Wireless dimmers and switches from anywhere in the space. This battery-operated control requires no external power or communication wiring.

Features

- Provides control for Caséta™ Wireless dimmers and switches.
- Control available in a variety of button marking options.
- Easy reconfiguration for use as:
 - Handheld remote
 - Wall-mount control (with or without faceplate; faceplate adapter kit sold separately)
 - Car visor control (car visor clip sold separately)
 - Table-top control (table-top pedestal sold separately)
- Utilizes Lutron® reliable Clear Connect® RF technology.
- Battery-powered. Requires no wiring.
- 10 year battery life* (one CR2032 battery included).
- Can provide control of Caséta™ Wireless dimmers and switches within a range of 30 ft (9 m) through walls and 60 ft (18 m) line-of-sight.



Pico® PRO 4-Button Wireless Control

* Based on a 1 year shelf life, an average of 10 button presses per day, and an ambient temperature of 86 °F (30 °C). Actual life may vary based on usage and environmental conditions.

Job Name: Job Number:	Model Numbers:
--	-----------------------

Specifications

Regulatory Approvals

- Lutron® Quality Systems registered to ISO 9001:2008.
- FCC Certified (U.S.A.)
- IC Certified (Canada)
- COFETEL Certified (Mexico)
- SUPERTEL (Ecuador)
- ANATEL Certified (Brazil)

Power

- Operating Voltage 3 V_{DC}
- (1) CR2032 battery (included)

System Communication and Capacity

- Communicates using Radio Frequency (RF) at 431 MHz to 437 MHz.
- Thousands of system addresses prevent interference between systems.
- Can be assigned to control Caséta™ Wireless dimmers and switches within a range of 30 ft (9 m) through walls and 60 ft (18 m) line-of-sight.

Mounting Considerations

- Mounting of any RF devices on or in close proximity to a metal surface will drastically reduce the effective range of radio signal transmission or reception.
- All RF devices must be mounted on non-conductive materials to ensure proper performance.
- Wall mounting adhesive included. See **Mounting Options** section for other options.

Environment

- Ambient operating temperature:
32 °F to 140 °F (0 °C to 60 °C)
- Maximum 90% non-condensing relative humidity
- Indoor use only

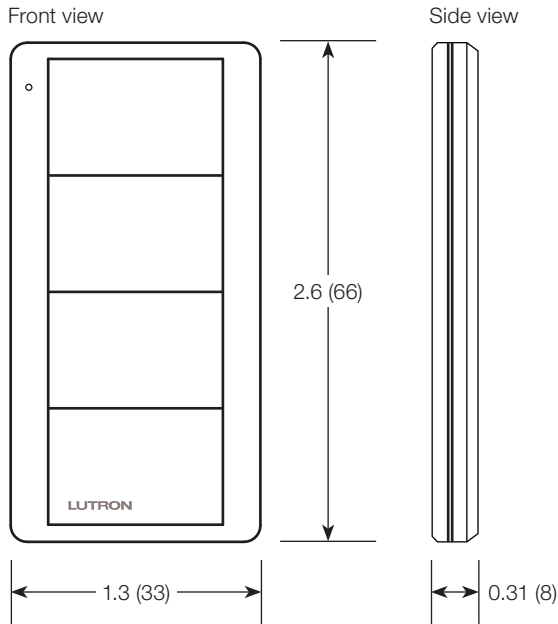
Warranty

- 1 Year Limited Warranty. For additional Warranty information, please visit www.lutron.com/technicalDocumentLibrary/369-119_Wallbox_Warranty.pdf

Job Name: Job Number:	Model Numbers:
--	-----------------------

Dimensions

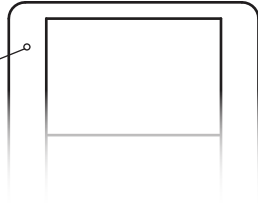
Measurements shown as: in (mm)



Job Name: Job Number:	Model Numbers:
------------------------------	----------------

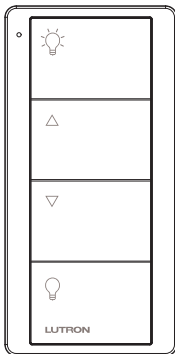
Operation

Indicator LED
Flashes to indicate a button press or when unit is in programming mode.



Dimming Control

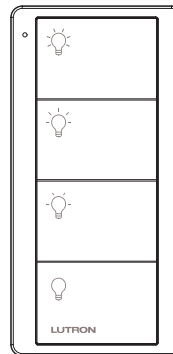
Lights Model: L01



- ON Button**
Lights brighten to full intensity.
- Raise Button**
Lights increase in intensity.
- Lower Button**
Lights decrease in intensity.
- OFF Button**
Lights dim to off.

3 Scene Control

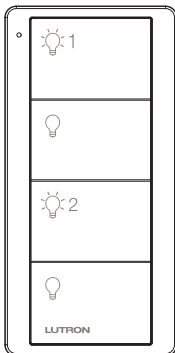
Lights Model: L31



- 3 Scene Buttons**
Tap once: Sends device to preset levels.
Press and hold for 6 seconds: Saves new preset level.
Default settings: 100%, 66%, 33%, 0%
- OFF Button**
Lights dim to off.

2-Group Switch Control

Lights Model: L21



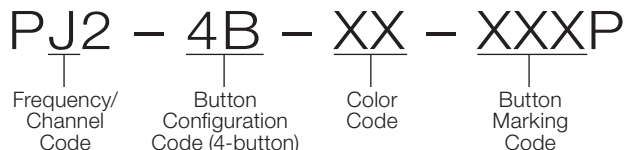
- ON Button #1**
Lights brighten to full intensity.
- OFF Button #1**
Lights dim to off.
- ON Button #2**
Lights brighten to full intensity.
- OFF Button #2**
Lights dim to off.

Job Name:	Model Numbers:
Job Number:	

Model Number

For order quantities of 96 pieces or greater of the same model number, bulk packaging may be available. Mounting hardware is not included with bulk packaging. For availability, please contact Lutron® Customer Service at 1.888.LUTRON1 (1.888.588.7661).

Standard Icon Models



Example: PJ2-4B-LA-L31P

Frequency/Channel Code

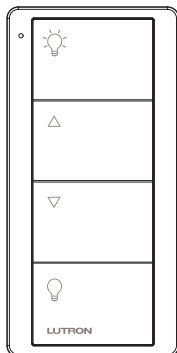
J: 431.0–437.0 MHz

Color Codes

Gloss Color	Code
White	WH
Black	BL
Ivory	IV
Light Almond	LA

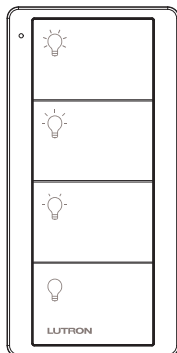
Button Marking Codes

Dimming Control



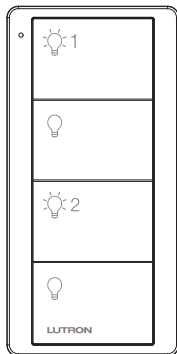
-L01

3 Scene Control



-L31

2-Group Switch Control



-L21

Job Name:	Model Numbers:
Job Number:	

Pico® Pedestal Model Number

Pedestals sold separately.



Capacity Codes

Capacity	Code
Single	1
Double	2
Triple	3
Quadruple	4

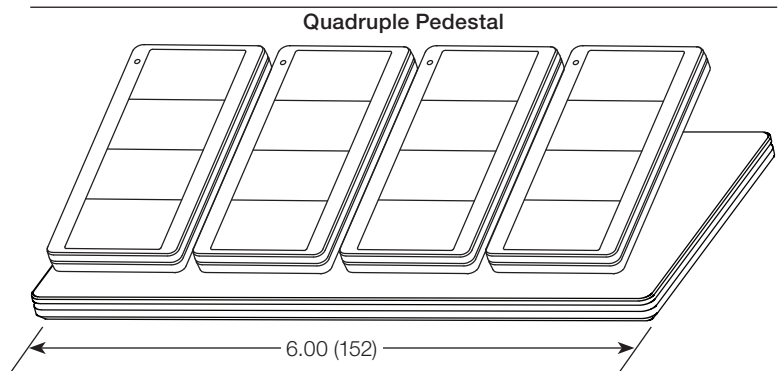
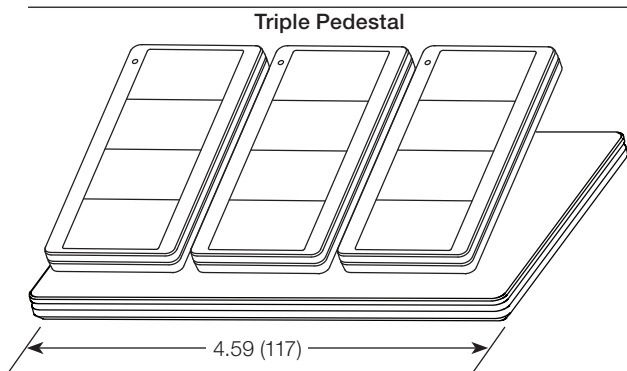
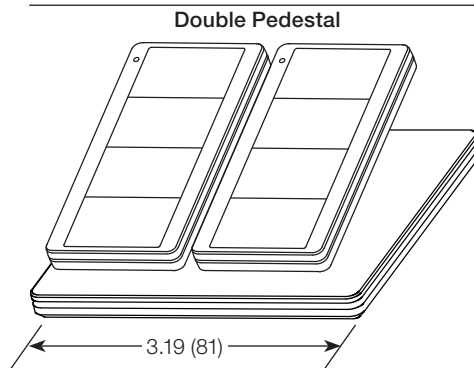
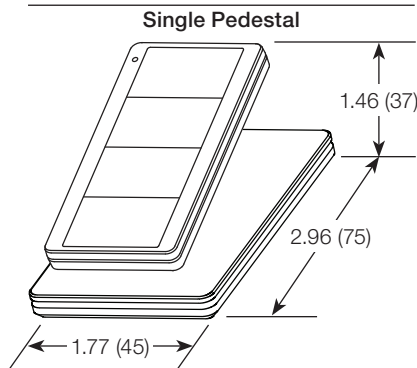
Color Codes

Available in gloss finish only.

Color	Code
White	WH
Black	BL

Dimensions

Measurements shown as: in (mm)

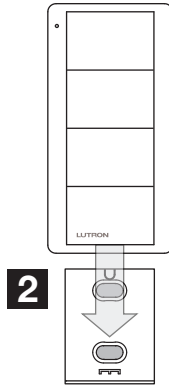


Job Name: Job Number:	Model Numbers:
--	-----------------------

Mounting Options

Standalone Mounting: Adhesive-Mount

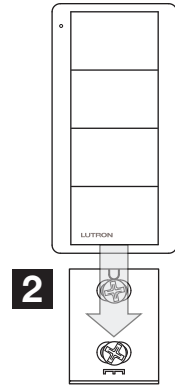
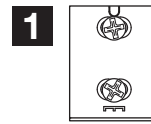
Included with Pico® wireless control



Standalone Mounting: Screw-Mount

Model PICO-SM-KIT (sold separately)

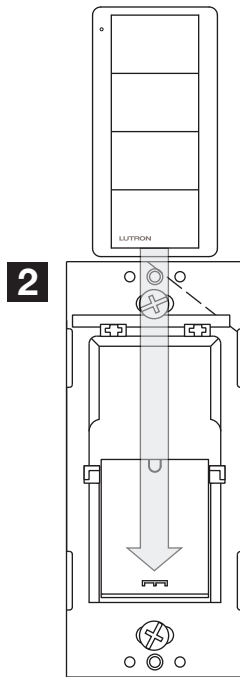
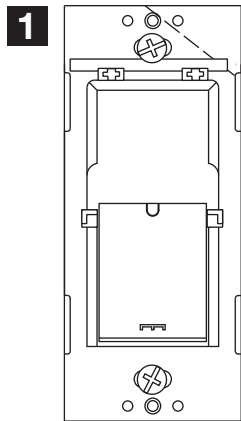
Kit includes special screws to be used for more permanent mounting and/or for non-smooth surfaces.



Wallbox Adapter

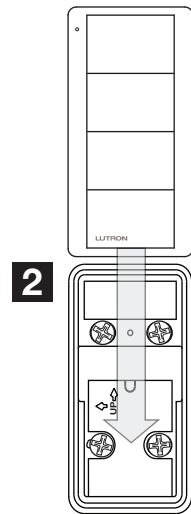
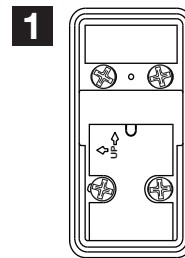
Model PICO-WBX-ADAPT (sold separately)

Wallplate adapter/wallplate sold separately.



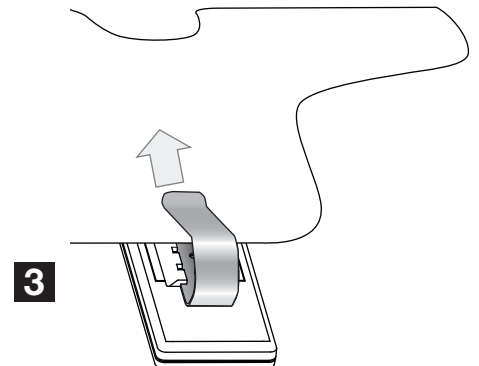
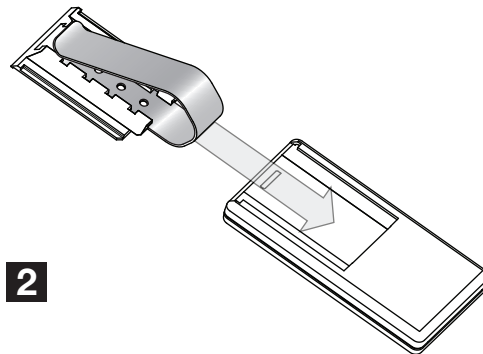
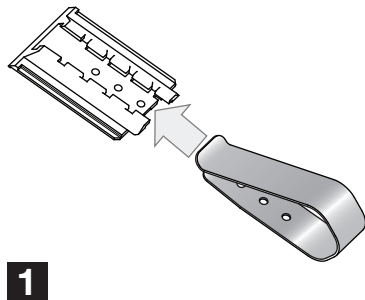
Mounting to Metal Surfaces

Contact Lutron (sold separately)



Mounting to a Car Visor

Model PICO-CARVISOR-CL (sold separately)



<p>Job Name:</p> <p>Job Number:</p>	<p>Model Numbers:</p>
-------------------------------------	-----------------------