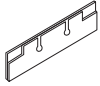
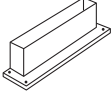
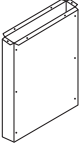
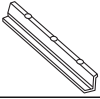


Wall Duct

Straight Sections and Fittings

Class 5200 / Refer to Catalog 5230CT9601


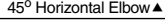


Trench Duct Fittings

| Item | Width | Catalog No. |
|---|-------|-------------|
|  End Closures▲ | 6" | REC06 |
| | 9" | REC09 |
| | 12" | REC12 |
| | 18" | REC18 |
| | 24" | REC24 |
| | 30" | REC30 |
|  Vertical Elbows | 6" | RVE06 |
| | 9" | RVE09 |
| | 12" | RVE12 |
| | 18" | RVE18 |
| | 24" | RVE24 |
| | 30" | RVE30 |
|  Riser and Cabinet Connector (Removable Front) | 6" | RRC06 |
| | 9" | RRC09 |
| | 12" | RRC12 |
| | 18" | RRC18 |
| | 24" | RRC24 |
| | 30" | RRC30 |
|  Z-Divider 5'-0"▲ Adjustable Barrier and Support Strip | | RZD60 |
| | | |
| Tape for Trench Duct (180 ft. rolls) | | G1414 |
| Marker for Cellular Floor | | G1426 |

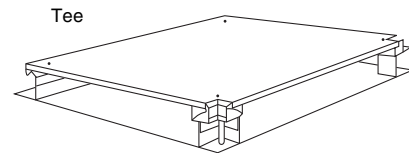
▲ For 3" to 4" trench duct, add a "3" to end of catalog number.

Note: All devices through 18" width are available in aluminum. Height is factory-set to customer specifications from 2-1/2 to 4 inches. (Non-Adjustable)

Trench Duct Elbows, Tees, and Crosses

| Item | Complete Device | |
|---|-----------------|----------------|
| | Width | Catalog Number |
|  90° Horizontal▲ Elbows | 6" | RHV062100009 |
| | 9" | RHV092100012 |
| | 12" | RHV122100015 |
| | 18" | RHV182100021 |
| | 24" | RHV242100027 |
| | 30" | RHV302100033 |
|  45° Horizontal Elbow▲ | 12" | RHV12245 |
|  Tees▲ | 6" | RTV062100011 |
| | 9" | RTV092100014 |
| | 12" | RTV122100017 |
| | 18" | RTV182100023 |
| | 24" | RTV242100029 |
| | 30" | RTV302100035 |
|  Crosses▲ | 6" | RXV062100012 |
| | 9" | RXV092100015 |
| | 12" | RXV122100018 |
| | 18" | RXV182100024 |
| | 24" | RXV242100030 |
| | 30" | RXV302100036 |

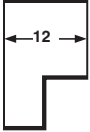
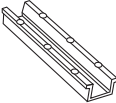
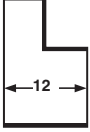
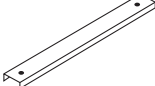
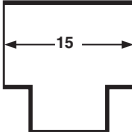

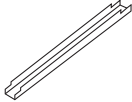

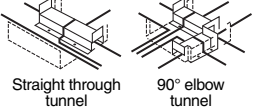
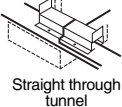
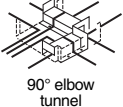
▲ Includes cover; shipped attached.



Note: All cover plate corner notches are 1-1/2" deep.

Accessories and Components

Trench Duct Accessories

| Item/Catalog Number | Item/Catalog Number |
|---|---|
|  Right Hand Reducer 18" to 12" Cover Included |  U-Compartment 5'-0" Long x 3'-1/2" Wide with Adjustable Height Sides |
|  Left Hand Reducer 18" to 12" Cover Included |  Leveling Legs |
|  Reducing Tee 18" to 12" Cover Included |  Support Channel Leveling Legs Not Included 5/16 x 18 x 3" |
|  Spacer Bar and Barrier Adjustment Gage |  Cover Lifter (Suction Cup Device) |
|  Tunnels for Trench Duct Elbows (Tee or Cross) |  Straight through tunnel |
|  90° elbow tunnel | 90° tunnel for 12" trench 90° tunnel for 18" trench Straight tunnel for 12" trench Straight tunnel for 18" trench |

Grommets

| | |
|---------------------------------|------|
| Grommet Material (50 ft. rolls) | RG50 |
|---------------------------------|------|