

REV	DATE	DESCRIPTION	ECO	BY	C'H'K.
B	11/12/2010 12:00:00 AM	CREATE DOCUMENTATION FOR UHG24A5SS	22652	BK	NJ

CATALOG NO.	ALUM. I.P.S	BOLT CIRCLE	A DIA.	B	G	H	J	K	L	W	X DIA.
UHG13A3	1/2"	3.00 [76]	.840 [21]	1.38 [35]	1.75 [44]	3.09 [78]	1/2"-13	.56 [14]	7.44 [189]	2.66 [68]	4.25 [108]
UHG14A3	3/4"	3.00 [76]	1.050 [27]	1.38 [35]	2.00 [51]	3.50 [83]	1/2"-13	.56 [14]	7.44 [189]	2.94 [75]	4.25 [108]
UHG14A5	3/4"	5.00 [127]	1.050 [27]	1.38 [35]	2.25 [57]	4.00 [102]	1/2"-13	.69 [18]	9.82 [249]	2.94 [75]	6.25 [159]
UHG15A3	1"	3.00 [76]	1.315 [33]	1.38 [35]	2.00 [51]	3.88 [99]	1/2"-13	.56 [14]	7.44 [189]	3.06 [78]	4.25 [108]
UHG15A5	1"	5.00 [127]	1.315 [33]	1.38 [35]	2.25 [57]	3.82 [97]	1/2"-13	.69 [18]	9.82 [242]	3.19 [81]	6.25 [159]
UHG16A3	1-1/4"	3.00 [76]	1.660 [42]	1.50 [38]	2.25 [57]	3.79 [96]	1/2"-13	.56 [14]	7.68 [195]	3.50 [89]	4.25 [108]
UHG16A5	1-1/4"	5.00 [127]	1.660 [42]	1.50 [38]	2.38 [60]	3.94 [100]	1/2"-13	.69 [18]	10.06 [256]	3.50 [89]	6.25 [159]
UHG17A3	1-1/2"	3.00 [76]	1.900 [48]	1.50 [38]	2.50 [64]	4.06 [103]	1/2"-13	.56 [14]	7.68 [195]	3.66 [93]	4.25 [108]
UHG17A5	1-1/2"	5.00 [127]	1.900 [48]	1.50 [38]	2.50 [64]	4.06 [103]	1/2"-13	.69 [18]	10.06 [256]	3.66 [93]	6.25 [159]
UHG17A7	1-1/2"	7.00 [178]	1.900 [48]	1.50 [38]	2.50 [64]	4.06 [103]	1/2"-13	.81 [21]	12.75 [324]	3.66 [93]	8.50 [216]
UHG18A3	2"	3.00 [76]	2.375 [60]	1.50 [38]	2.75 [70]	5.25 [133]	1/2"-13	.56 [14]	7.68 [195]	4.12 [105]	4.25 [108]
UHG18A5	2"	5.00 [127]	2.375 [60]	1.50 [38]	2.75 [70]	4.61 [117]	1/2"-13	.69 [18]	10.06 [256]	4.12 [105]	6.25 [159]
UHG19A3	2-1/2"	3.00 [76]	2.875 [73]	1.50 [38]	3.12 [79]	5.23 [133]	1/2"-13	.56 [14]	7.68 [195]	4.62 [117]	4.25 [108]
UHG19A5	2-1/2"	5.00 [127]	2.875 [73]	1.50 [38]	3.12 [79]	5.23 [133]	1/2"-13	.69 [18]	10.56 [256]	4.62 [117]	6.25 [159]
UHG20A3	3"	3.00 [76]	3.500 [89]	1.75 [44]	3.62 [92]	6.09 [155]	5/8"-11	.56 [14]	9.25 [235]	5.62 [143]	4.25 [108]
UHG20A5	3"	5.00 [127]	3.500 [89]	1.75 [44]	3.62 [92]	6.09 [155]	5/8"-11	.69 [18]	10.56 [268]	5.62 [143]	6.25 [159]
UHG21A3	3-1/2"	3.00 [76]	4.00 [102]	1.75 [44]	4.00 [102]	6.74 [171]	5/8"-11	.56 [14]	8.18 [208]	6.16 [156]	4.25 [108]
UHG21A5	3-1/2"	5.00 [127]	4.00 [102]	1.75 [44]	4.00 [102]	6.74 [171]	5/8"-11	.69 [18]	10.56 [268]	6.16 [156]	6.25 [159]
UHG22A3	4"	3.00 [76]	4.500 [114]	1.75 [44]	4.500 [114]	7.50 [191]	5/8"-11	.56 [14]	8.18 [208]	6.62 [168]	4.25 [108]
UHG22A5	4"	5.00 [127]	4.500 [114]	1.75 [44]	4.500 [114]	7.50 [191]	5/8"-11	.69 [18]	11.34 [288]	6.62 [168]	6.25 [159]
UHG23A3	4-1/2"	3.00 [76]	5.00 [127]	1.75 [44]	4.75 [121]	8.38 [213]	5/8"-11	.56 [14]	9.25 [235]	7.14 [181]	4.25 [108]
UHG23A5	4-1/2"	5.00 [127]	5.00 [127]	1.75 [44]	4.75 [121]	7.94 [202]	5/8"-11	.69 [18]	10.56 [268]	7.14 [181]	6.25 [159]
UHG24A3	5"	3.00 [76]	5.563 [141]	2.00 [51]	5.25 [133]	8.86 [225]	5/8"-11	.56 [14]	8.68 [220]	7.70 [196]	4.25 [108]
UHG24A5	5"	5.00 [127]	5.563 [141]	2.00 [51]	5.25 [133]	8.86 [225]	5/8"-11	.69 [18]	11.56 [294]	7.70 [196]	6.25 [159]
UHG86A3	6"	3.00 [76]	6.625 [168]	2.00 [51]	5.56 [141]	9.94 [252]	5/8"-11	.56 [14]	9.25 [235]	8.75 [222]	4.25 [108]
UHG86A5	6"	5.00 [127]	6.623 [168]	2.00 [51]	5.56 [141]	9.94 [252]	5/8"-11	.69 [18]	11.56 [294]	8.75 [222]	6.25 [159]
UHG88A3	8"	3.00 [76]	8.625 [219]	2.00 [51]	--	--	5/8"-11	.56 [14]	--	10.75 [273]	4.25 [108]
UHG88A5	8"	5.00 [127]	8.625 [219]	2.00 [51]	--	--	5/8"-11	.69 [18]	--	10.75 [273]	6.25 [159]

MOUNTING HARDWARE:

FOR 3.00" BOLT CIRCLE BASE:

CAP MOUNTING: FOUR 1/2"-13 X 1" LG. GALV. STEEL HEX. HEAD BOLTS AND S.A.E FLAT WASHER AND SHP.LW. IF BASE MOUNTING IS DESIRED ADD "B" TO THE END OF THE CONNECTOR CATALOG NO. AND THE FOLLOWING HARDWARE WILL BE SUPPLIED.

BASE MOUNTING: FOUR 1/2"-13 X 1-1/2" LG. GALV. STEEL HEX. HEAD BOLTS, HEX. NUTS AND S.A.E. FLAT WASHER AND SHP.LW.

FOR 5.00" BOLT CIRCLE BASE:

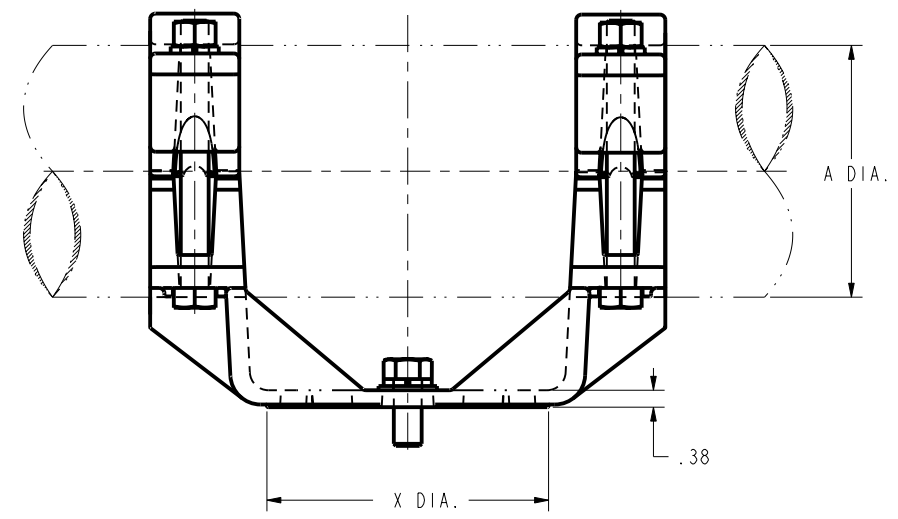
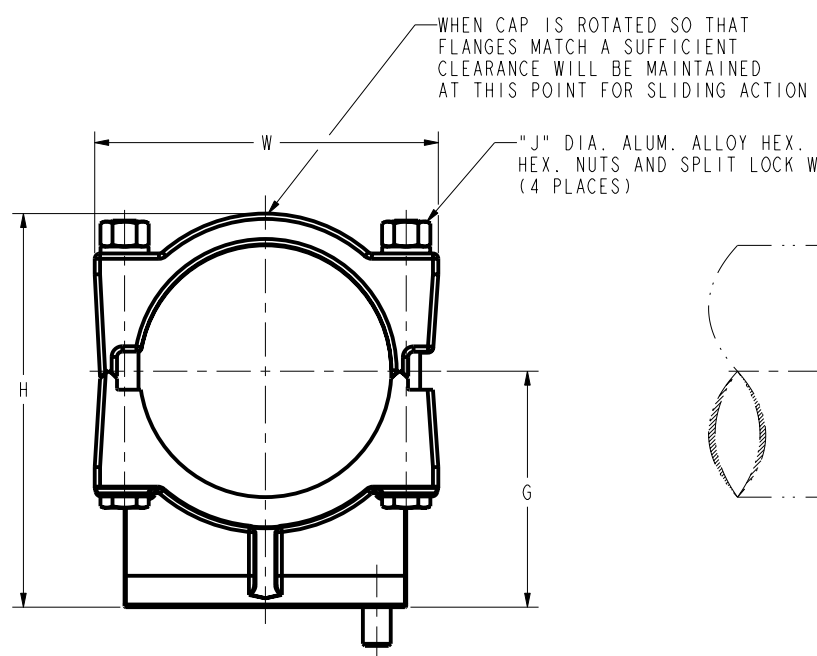
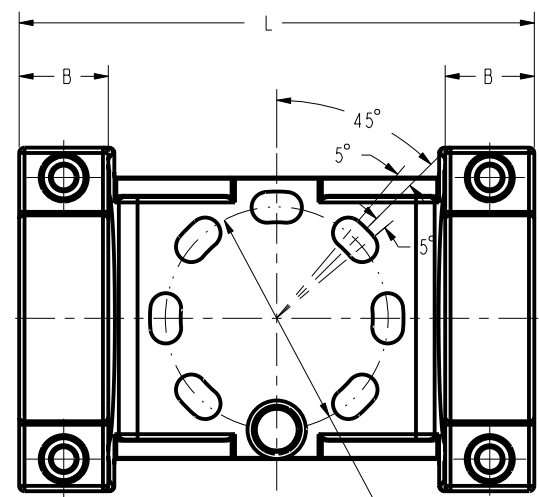
CAP MOUNTING: FOUR 5/8"-11 X 1" LG. GALV. STEEL HEX. HEAD BOLTS AND S.A.E FLAT WASHER AND SHP.LW. IF BASE MOUNTING IS DESIRED ADD "B" TO THE END OF THE CONNECTOR CATALOG NO. AND THE FOLLOWING HARDWARE WILL BE SUPPLIED.

BASE MOUNTING: FOUR 5/8"-11 X 1-3/4" LG. GALV. STEEL HEX. HEAD BOLTS, HEX. NUTS AND S.A.E. FLAT WASHER AND SHP.LW.

FOR 7.00" BOLT CIRCLE BASE:

CAP MOUNTING: FOUR 3/4"-10 X 1-1/4" LG. GALV. STEEL HEX. HEAD BOLTS AND S.A.E FLAT WASHER AND SHP.LW. IF BASE MOUNTING IS DESIRED ADD "B" TO THE END OF THE CONNECTOR CATALOG NO. AND THE FOLLOWING HARDWARE WILL BE SUPPLIED.

BASE MOUNTING: FOUR 3/4"-10 X 2" LG. GALV. STEEL HEX. HEAD BOLTS, HEX. NUTS AND S.A.E. FLAT WASHER AND SHP.LW.



NOTES:

- MATERIAL: CAST ALUMINUM ALLOY
- DIMENSIONS IN BRACKETS [] DENOTES METRIC UNITS [SI UNITS] AND ARE ROUNDED TO THE NEAREST WHOLE NUMBER. UNLESS OTHERWISE SPECIFIED THESE UNITS SHALL BE USED FOR REFERENCE ONLY.
- OPTIONAL HARDWARE VARIATIONS ARE AVAILABLE BY ADDING THE FOLLOWING SUFFIX TO THE CATALOG NUMBER.
EXAMPLE: UHG24A5SS
GS = GALVANIZED STEEL
SS = STAINLESS STEEL
- NOMINAL INSTALLATION TORQUE:
1/2" ALUMINUM BOLTS - 300 LB-IN [35 NM]
1/2" GALVANIZED STEEL BOLTS - 480 LB-IN [55 NM]
1/2" STAINLESS STEEL BOLTS - 480 LB-IN [55 NM]
5/8" ALUMINUM BOLTS - 480 LB-IN [55 NM]
5/8" GALVANIZED STEEL BOLTS - 660 LB-IN [75 NM]
5/8" STAINLESS STEEL BOLTS - 660 LB-IN [75 NM]

TO ORDER BURNDY® PRODUCTS CALL		ALUMINUM BUS SUPPORT CLAMP	
UNITED STATES 1-800-346-4175 (LONDONDERRY, NH)		ITEM NO: --	CAT. NO: UHG--A- (SEE TABLE)
CANADA: 1-800-361-6975 (QUEBEC) 1-800-387-6487 (ALL OTHER PROVINCES)		DRAWN BY: BAKKIYARAJ K 11/11/10	CHECKER: J HOSKER 11/16/10
FOR PRODUCT INFO: http://www.burndy.com		DSN APPVL: R LAVOIE 12/07/10	MFG APPVL: T WAWRZYNIAK 12/04/10
		QA APPVL: J HILLMAN 12/10/10	MKT APPVL: V TORRES 12/08/10
		PROD FAM: SUBSTATION	DRAWING NO: SD040887-01
		PROJECT #: --	SCALE: 1:1
		DOCUMENT TYPE: Sales	REV: B
		REL LEVEL: Released	SHEET 1 OF 1

REV: PEO200