

Well-Guard Control™ Pump Panels, Full Voltage—Class 8940 Oil Field Style Selection Guide

Class 8940 Type S2 Pump Panels, in NEMA Type 3R enclosures, are specifically designed for Oil Field applications. All panels are supplied with a visible-blade fused disconnect switch or a Mag-Gard® circuit breaker, depending on the Type number. Extra panel space is provided for field installation of auxiliary equipment (refer to page 12 for approximate dimensions).

- Rugged spring latches for easy access without a tool
- Side mounted control units for convenient operation
- Door retainer available for windy areas (Form G45)
- Hand-Off-Auto selector switch
- UL Listed for use as Service Equipment for Motors
- Extra panel space for additional electrical controls
- All devices UL Listed and marked “SUITABLE ONLY FOR USE AS SERVICE EQUIPMENT”

NOTE: Overload relays are ambient temperature compensated.

600 Volts Max. – 3-Pole – 50-60 Hertz									
Volts	Coil Voltage *	Max. hp Polyphase	NEMA Size	Fusible Disconnect Type		Circuit Breaker Type			
				Fuse Clip Amperes ★	Class 8940 Type	Frame Size	Class 8940 Type		
240	240 @ 60 Hz 220 @ 50 Hz	7.5	1	30	WC1S2V03	GJL36030M04	XC1S2V03		
		10	2	60	WD1S2V03	GJL36050M05	XD1S2V03		
		15				FAL3610018M	XD2S2V03		
		480	480 @ 60 Hz 440 @ 50 Hz	30	3	100	WE1S2V03	FAL3610018M	XE1S2V03
				40	4	200	WF1S2V03	KAL3625026M	XF1S2V03
				50				KAL3625029M	XF2S2V03
480	480 @ 60 Hz 440 @ 50 Hz			7.5	1	30	WC3S2V06	GJL36015M03	XC3S2V06
		10	2	60	WD3S2V06	GJL36030M04	XC4S2V06		
		15				GJL36030M04	XD3S2V06		
		480	480 @ 60 Hz 440 @ 50 Hz	25	3	100	WE3S2V06	FAL3610018M	XE3S2V06
				50	4	200	WF3S2V06	KAL3625025M	XF3S2V06
				75				KAL3625029M	XF4S2V06
100									

- ★ Fuse clips are sized for use with dual-element time-delay fuses.
- Thermal units must be ordered separately.
- * Coil voltages must be specified to order this product. See coil voltage codes below.

Coil Voltage Codes

Voltage		Code
60 Hz	50 Hz	
24 †▲	—	V01
120 †	110	V02
208 †	—	V08
240	220	V03
—	380	V05
480	440	V06
600 †	550	V07

- ▲ 24V coils are not available on Size 4 starters.
On Size 1-3, 24V coils are available. **Form S** must be used.
- † **Form S** (separate control) required for 24 V, 120 V, 208 V, and 600 V coils.



Listed File E152395
CCN NKJH



Listed File E152395
CCN NKJH7

Well-Guard Control™ Pump Panels, Full Voltage–Class 8940

Factory Modifications

Factory Modifications

Description	Form
Start push button in oil field panel (S2) only	A28
Substitute Class 10 IEC overload relay – state motor hp	B12
Control Transformer with Fused Primary: Types: NPD, NPE, NPF, WC, XC, NSC, SSC (50 VA) NPG, NSG, XD, WD, SSD (100 VA) NPJ, NSE, XE, WE, SSE (150 VA) NSF, XF, WF, SSF (300 VA) NSG, XSG, (50 VA and an interposing control relay)	F4T
Door wind latch assembly, factory installed in a standard 8940NPD, NPE, NPF, NPG, NPJ, SSC, SSO, SSE, or SSF panel.	G45
Elapsed time meter	G97
Substitute Class 10 Motor Logic® SSOLR (without phase imbalance protection)	H10
On delay timer, 0.1 seconds to 1 minute	K25
Off delay timer, 0.1 seconds to 1 minute	K26
On delay timer, 1 minute to 3 minute	K37
Off delay timer, 1 minute to 3 minute	K38
Backspin timer (time delay on energization)	K15
Slim panel (Types WC, WD, WF, XC, XD, XF only)	L8
Short Panel (Types SSE, SSF only)	L9
Pilot light, red (does not include auxiliary contact)	P1
Pilot light, green (does not include auxiliary contact)	P2
Separate Control	S
Auxiliary Contacts (Specify N.O. or N.C.)	X ▲
Special UL panel label for modified UL Listed devices on non-standard panels. Requires approval by manufacturing plant.	Y1
Lightning Arrester	Y1532
Phase failure, phase reversal relay with time delay, including undervoltage and overvoltage protection	R44 †
Substitute Standard-Trip Melting Alloy Overload Relays (Type S2 only)	Y61
Substitute Quick-Trip Melting Alloy Overload Relay (Type S2 only)	Y611

† Requires the use of 120 volt control (**Form S** or **FF4T**).

▲ To determine the maximum number of auxiliary contacts which can be added to each Type S device, and for the appropriate X Form, refer to tables in the Class 8536 section of the current *Digest*.

Well-Guard Control™ Pump Panels, Full Voltage—Class 8940 Replacement Part Application Data

Approximate Dimensions

Type	Fig.	Dimensions	A	B	C	D	E	F	G	H	J	K	Conduit L	M	Knockout			V
															R	S	T	
WC-S2 WD-S2 XC-S2	1	in.	38.50	19.00	7.29	9.39	34.00	37.38	7.00	2.18	2.13	2.13	1-1/2	2.12	1/2-3/4	1, 1-1/4, 1-1/2	1/2, 3/4	—
		mm	978	483	185	539	864	949	178	55	54	54		54				—
WE-S2 WF-S2 XE-S2	1	in.	56.50	23.00	8.23	10.33	52.00	55.38	7.00	2.18	2.69	3.44	1/2	2.68	1/2-3/4	1, 1-1/4, 2, 2-1/2	1, 1-1/4, 1-1/2, 2	1.50
		mm	1435	584	209	262	1321	1407	178	55	68	87		68				38
NSG XSG	2	in.	74.50	22.00	13.80	17.55	73.00	0.50	14.00	—	0.56	—	—	—	—	—	—	1.50
		mm	1892	559	351	446	1854	13	356	—	14	—	—	—	—	—	—	38
XSH	3	in.	82.50	36.00	20.00	23.25	80.00	33.75	16.50	—	—	—	—	—	—	—	—	—
		mm	2096	914	508	591	2032	857	419	—	—	—	—	—	—	—	—	—
XSJ	3	in.	92.50	34.00	20.00	23.25	90.00	31.75	16.50	—	—	—	—	—	—	—	—	—
		mm	2350	864	508	591	2286	806	419	—	—	—	—	—	—	—	—	—

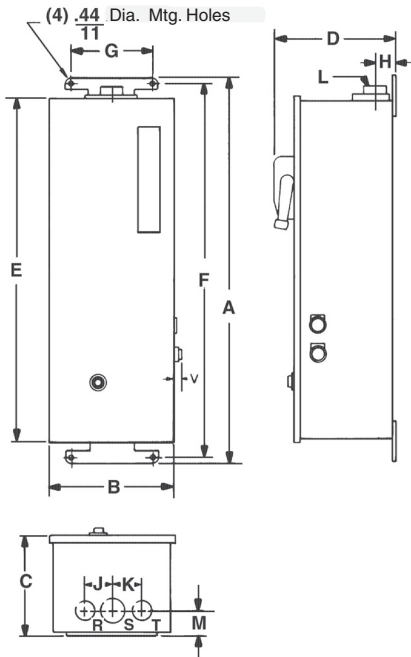


Figure 1

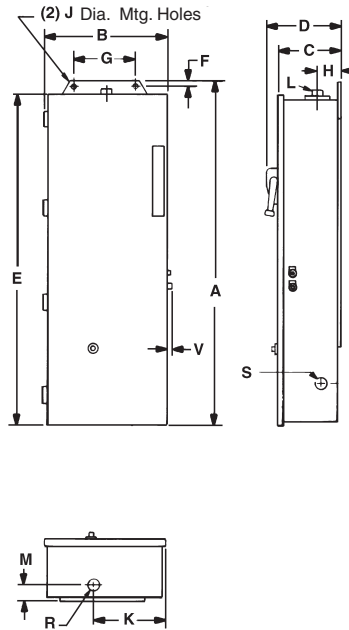


Figure 2

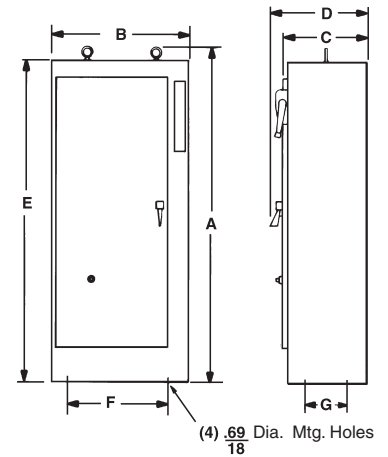


Figure 3

Dual Dimensions: $\frac{\text{in.}}{\text{mm}}$