

STAINLESS STEEL HMI ENCLOSURES, TYPE 4X

APPLICATION

A favorite with the food and pharmaceutical industries, these stainless steel, front-door control enclosures are ideal for applications that require corrosion resistance and the suspension of process and control equipment for easy cleaning.

Use these enclosures with the CS480 and CS600 Pendant Arm Systems.

SPECIFICATIONS

- Enclosure constructed of 1.5-mm Type 304 stainless steel
- Front door constructed of 1.5-mm Type 304 stainless steel
- Polyurethane foam gaskets
- Front door hinged on side
- Facilities for installing mounting plates
- Stainless steel safety latch mounted at side, away from protected space
- Can be mounted from top or bottom

BULLETIN: CCR6
INDUSTRY STANDARDS

UL 508A Listed; Type 4, 4X, 12; File No. E61997
 cUL Listed per CSA C22.2 No. 94; Type 4, 4X, 12; File No. E61997

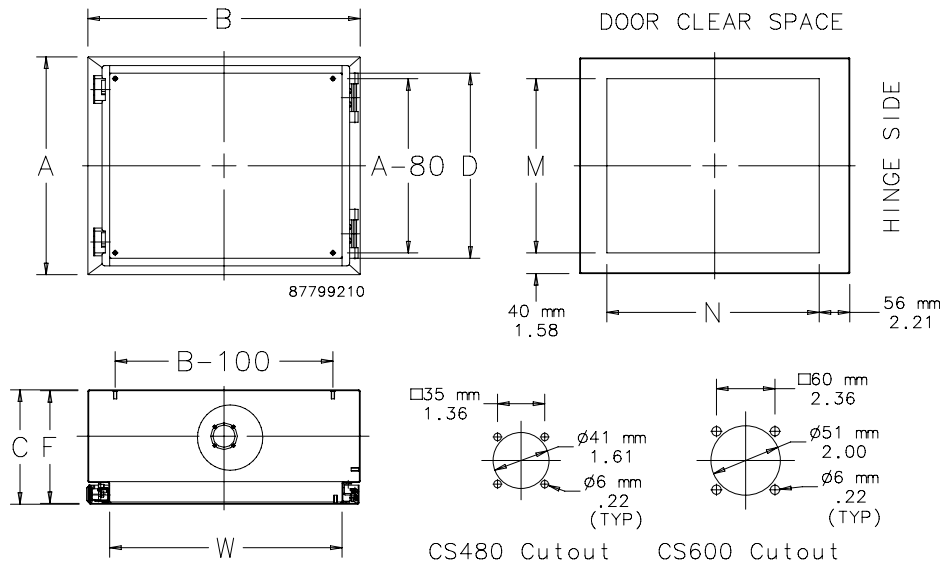
IEC 60529, IP66

Standard Product

| Catalog Number | AxBxC mm | AxBxC in. | Use with Pendant Arm System | D (mm) | D (in.) | W (mm) | W (in.) | F (mm) | F (in.) | Door Clear | Door Clear | Mounting Plate |
|----------------|-----------------|-----------------------|-----------------------------|--------|---------|--------|---------|--------|---------|------------|---------------|----------------|
| | | | | | | | | | | Space | Space | |
| | | | | | | | | | | M x N (mm) | M x N (in.) | |
| CCC48S302513 | 300 x 250 x 130 | 11.81 x 9.84 x 5.12 | CS480 | 240 | 9.45 | 177 | 6.96 | 125 | 4.90 | 220 x 140 | 8.66 x 5.51 | CCCP3025 |
| CCC48S303513 | 300 x 350 x 130 | 11.81 x 13.78 x 5.12 | CS480 | 240 | 9.45 | 277 | 10.86 | 125 | 4.90 | 220 x 240 | 8.66 x 9.45 | CCCP3035 |
| CCC48S354016 | 350 x 400 x 160 | 13.78 x 15.75 x 6.30 | CS480 | 290 | 11.42 | 327 | 12.86 | 155 | 6.08 | 270 x 290 | 10.63 x 11.42 | CCCP3540 |
| CCC60S354016 | 350 x 400 x 160 | 13.78 x 15.75 x 6.30 | CS600 | 290 | 11.42 | 327 | 12.86 | 155 | 6.08 | 270 x 290 | 10.63 x 11.42 | CCCP3540 |
| CCC48S404016 | 400 x 400 x 160 | 15.75 x 15.75 x 6.30 | CS480 | 340 | 13.39 | 327 | 12.86 | 155 | 6.08 | 320 x 290 | 12.59 x 11.42 | CCCP4040 |
| CCC60S404016 | 400 x 400 x 160 | 15.75 x 15.75 x 6.30 | CS600 | 340 | 13.39 | 327 | 12.86 | 155 | 6.08 | 320 x 290 | 12.59 x 11.42 | CCCP4040 |
| CCC48S405021 | 400 x 500 x 210 | 15.75 x 19.69 x 8.27 | CS480 | 340 | 13.39 | 427 | 16.80 | 205 | 8.05 | 320 x 390 | 12.59 x 15.35 | CCCP4050 |
| CCC60S405021 | 400 x 500 x 210 | 15.75 x 19.69 x 8.27 | CS600 | 340 | 13.39 | 427 | 16.80 | 205 | 8.05 | 320 x 390 | 12.59 x 15.35 | CCCP4050 |
| CCC48S455521 | 450 x 550 x 210 | 17.72 x 21.65 x 8.27 | CS480 | 390 | 15.35 | 477 | 18.77 | 205 | 8.05 | 370 x 440 | 14.57 x 17.32 | CCCP4555 |
| CCC60S455521 | 450 x 550 x 210 | 17.72 x 21.65 x 8.27 | CS600 | 390 | 15.35 | 477 | 18.77 | 205 | 8.05 | 370 x 440 | 14.57 x 17.32 | CCCP4555 |
| CCC48S505521 | 500 x 550 x 210 | 19.69 x 21.65 x 8.27 | CS480 | 440 | 17.32 | 477 | 18.77 | 205 | 8.05 | 420 x 440 | 16.54 x 17.32 | CCCP5055 |
| CCC60S505521 | 500 x 550 x 210 | 19.69 x 21.65 x 8.27 | CS600 | 440 | 17.32 | 477 | 18.77 | 205 | 8.05 | 420 x 440 | 16.54 x 17.32 | CCCP5055 |
| CCC48S605521 | 600 x 550 x 210 | 23.62 x 21.65 x 8.27 | CS480 | 540 | 21.26 | 477 | 18.77 | 205 | 8.05 | 520 x 440 | 20.47 x 17.32 | CCCP6055 |
| CCC60S605521 | 600 x 550 x 210 | 23.62 x 21.65 x 8.27 | CS600 | 540 | 21.26 | 477 | 18.77 | 205 | 8.05 | 520 x 440 | 20.47 x 17.32 | CCCP6055 |
| CCC60S605530 | 600 x 550 x 300 | 23.62 x 21.65 x 11.81 | CS600 | 540 | 21.26 | 477 | 18.77 | 295 | 11.60 | 520 x 440 | 20.47 x 17.32 | CCCP6055 |

Pendant Cutout

| Catalog Number | Pendant Cutout | Weight (lb.) | Weight (kg) |
|----------------|----------------|--------------|-------------|
| CS480 | | | |
| CCC48S302513 | CS480 | 14.00 | 6.4 |
| CCC48S303513 | CS480 | 14.00 | 6.4 |
| CCC48S354016 | CS480 | 16.00 | 7.3 |
| CCC48S404016 | CS480 | 20.00 | 9.1 |
| CCC48S405021 | CS480 | 26.00 | 11.8 |
| CCC48S455521 | CS480 | 28.00 | 12.7 |
| CCC48S505521 | CS480 | 30.00 | 13.6 |
| CCC48S605521 | CS480 | 32.00 | 14.5 |
| CS600 | | | |
| CCC60S354016 | CS600 | 16.00 | 7.3 |
| CCC60S404016 | CS600 | 20.00 | 9.1 |
| CCC60S405021 | CS600 | 26.00 | 11.8 |
| CCC60S455521 | CS600 | 28.00 | 12.7 |
| CCC60S505521 | CS600 | 30.00 | 13.6 |
| CCC60S605521 | CS600 | 32.00 | 14.5 |
| CCC60S605530 | CS600 | 36.00 | 16.3 |

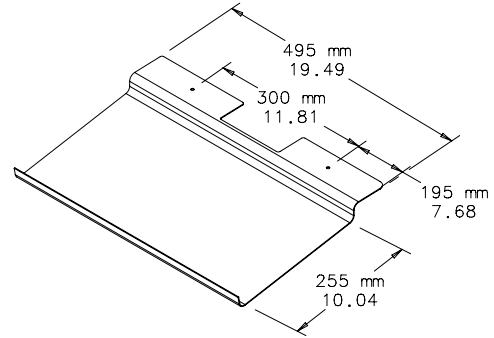


KEYBOARD SHELF



Shelf is for 350-mm and wider enclosures. Stainless steel. 10-degree slope. Mounting hardware included. Enclosure machining required.

BULLETIN: CCR6Y



87746342

| Catalog Number | Description | Weight (lb.) |
|----------------|----------------|--------------|
| CCSSKBT | Keyboard shelf | 4.9 |

MOUNTING PLATE

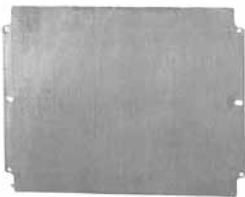


Plate is for mounting equipment on the rear panel. Made of 3-mm plated steel. Mounted using pins on the rear panel.

BULLETIN: CCR6Y

| Catalog Number | Height (mm) | Height (in.) | Width (mm) | Width (in.) | Weight (lb.) |
|----------------|-------------|--------------|------------|-------------|--------------|
| CCCP3025 | 230 | 9.06 | 170 | 6.69 | 2.0 |
| CCCP3035 | 230 | 9.06 | 270 | 10.63 | 2.0 |
| CCCP3540 | 280 | 11.02 | 320 | 12.60 | 3.0 |
| CCCP4040 | 330 | 12.99 | 320 | 12.60 | 3.0 |
| CCCP4050 | 330 | 12.99 | 420 | 16.54 | 4.0 |
| CCCP4555 | 380 | 14.96 | 470 | 18.50 | 5.0 |
| CCCP5055 | 430 | 16.93 | 470 | 18.50 | 6.0 |
| CCCP6055 | 530 | 20.87 | 470 | 18.50 | 7.0 |

HANDLES



Handles are stainless steel for mounting on enclosure sides. Mounting hardware included. Enclosure machining required. (Handles are not required to use the SYSPEND® VHDS-Motion Arm.)

BULLETIN: CCR6Y

| Catalog Number | Description | Weight (lb.) |
|----------------|----------------------------------|--------------|
| CCSSHDL | Handles for CC480/600 enclosures | 5.0 |