

**PROLINE™ SLOPED-FRONT HMI, TYPE 4, 4X, 12****INDUSTRY STANDARDS****Painted versions:**

UL 508A Listed; Type 12: File No. E61997  
cUL Listed per CSA C22.2 No. 94; Type 12: File No. E61997

NEMA/EEMAC Type 12  
IEC 60529, IP55

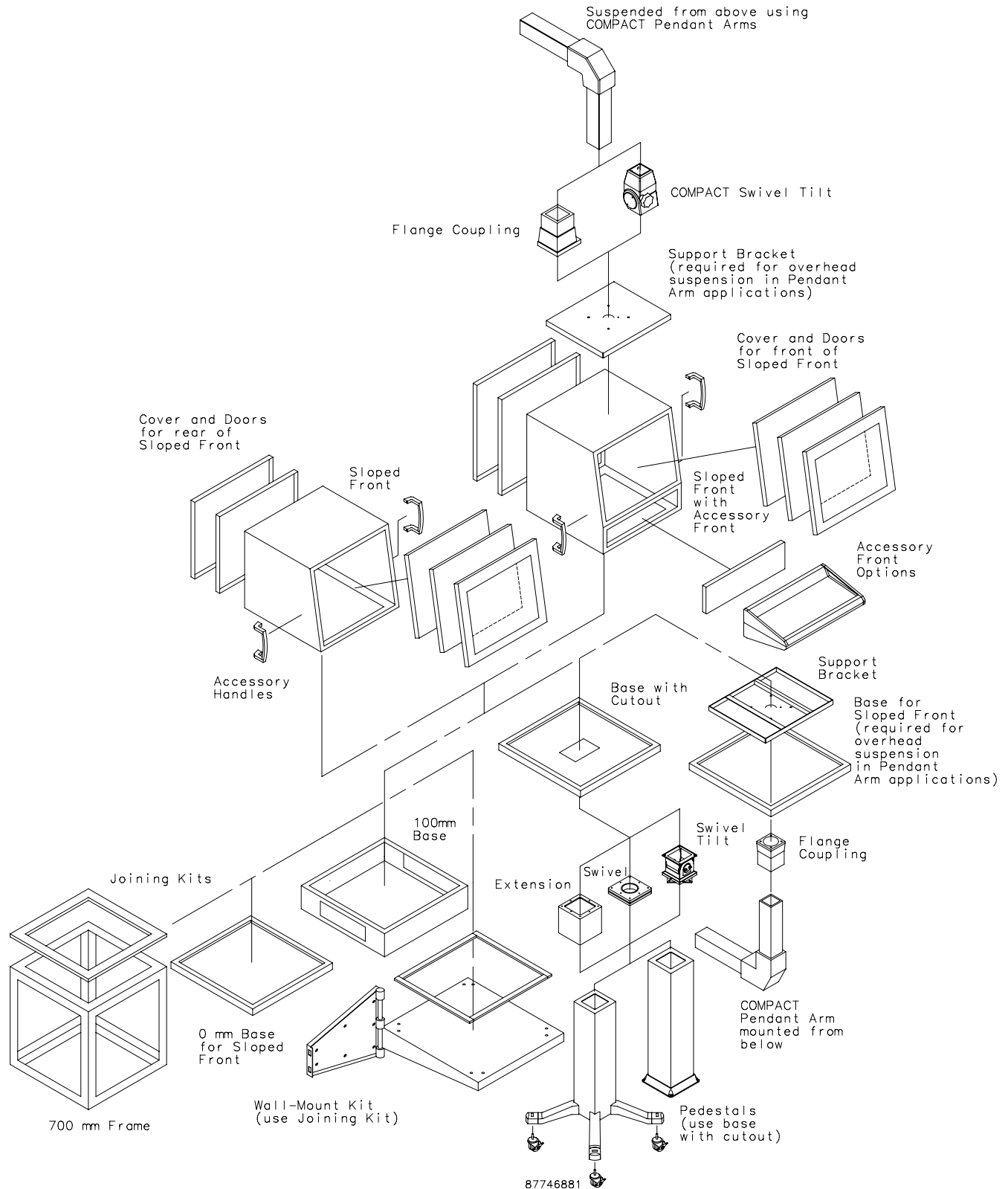
**Stainless steel versions:**

UL 508A Listed; Type 4, 4X, 12: File No. E61997  
cUL Listed per CSA C22.2 No. 94; Type 4, 4X, 12: File No. E61997

NEMA/EEMAC Type 4, 4X, 12  
IEC 60529, IP66

**APPLICATION**

A truly modular, build-your-own system for CRT monitors and keyboards, the PROLINE™ Sloped-Front HMI System's foundation is extremely adaptable for nearly any application. Add one or more of the many possible fronts, backs, mounting options, doors and bases to the core frame to build an enclosure that meets your design specifications.



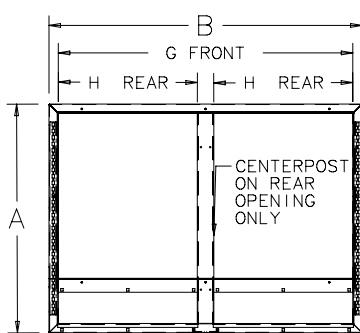
### SLOPED FRONT WITH ACCESSORY OPENING

Enclosure is available in two heights: 500 mm and 700 mm. Upper front opening for door/cover options has a 5-degree slope. Lower section is suitable for keyboard or other front options. Rear opening(s) for door and cover options. The internal mounting hole pattern accommodates most PROLINE™ internal accessories. Optional PROLINE Frame Shelf or PROLINE Grid System provides a stationary platform for supporting deep equipment. The open bottom is suitable for joining the top to a 700-mm PROLINE frame. The bottom of the 600 x 600-mm sizes can be joined through a cutout base to a pedestal or pendant arm system. A support bracket accessory allows the 600 x 600-mm size to be suspended from an overhanging pendant arm. Sloped fronts with accessory opening are Type 304 stainless steel or 14 gauge steel with RAL 7035 textured light-gray polyester powder paint finish.

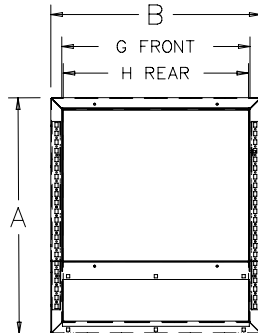


BULLETIN: P9, P9S

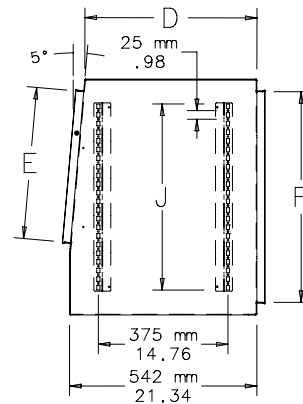
Catalog Number	AxB mm/in.	D mm/in.	Description	Nominal Size A x B x C mm/in.	Front Opening E x G mm/in.	Rear Opening F x H mm/in.	Internal Mounting J mm/in.	Internal Mounting K mm/in.	Product Weight (lb.)
PST5A66	682 x 608 26.85 x 23.94	498 19.61	Steel	500A x 600 x 600	440 x 536 17.31 x 21.11	611 x 536 24.04 x 21.11	500 19.69	500 19.69	59.0
PST5A86	682 x 808 26.85 x 31.81	498 19.61	Steel	500A x 800 x 600	440 x 736 17.31 x 28.98	611 x 736 24.04 x 28.98	500 19.69	500 19.69	64.0
PST5A126	682 x 1208 26.85 x 47.56	498 19.61	Steel	500A x 1200 x 600	440 x 1136 17.31 x 44.73	611 x 536 24.04 x 21.11	500 19.69	500 19.69	86.0
PST7A66	882 x 608 34.72 x 23.94	481 18.92	Steel	700A x 600 x 600	641 x 536 25.22 x 21.11	811 x 536 31.91 x 21.11	700 27.56	700 27.56	70.0
PST7A86	882 x 808 34.72 x 31.81	481 18.92	Steel	700A x 800 x 600	641 x 736 25.22 x 28.98	811 x 736 31.91 x 28.98	700 27.56	700 27.56	73.0
PST7A126	882 x 1208 34.72 x 47.56	481 18.92	Steel	700A x 1200 x 600	641 x 1136 25.22 x 44.73	811 x 536 31.91 x 21.11	700 27.56	700 27.56	111.0



1200 mm wide Sloped Top with Accessory Front

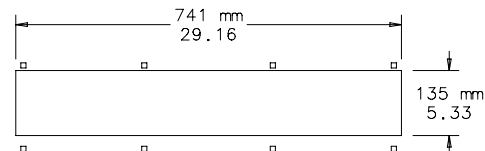
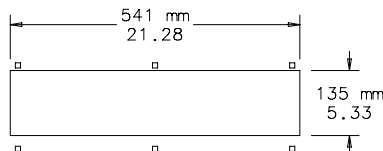


600 mm wide Sloped Top with Accessory Front



87799045

Accessory Front Opening Dimensions



87799046