

PROLINE™ SLOPED-FRONT HMI, TYPE 4, 4X, 12**INDUSTRY STANDARDS****Painted versions:**

UL 508A Listed; Type 12: File No. E61997
cUL Listed per CSA C22.2 No. 94; Type 12: File No. E61997

NEMA/EEMAC Type 12
IEC 60529, IP55

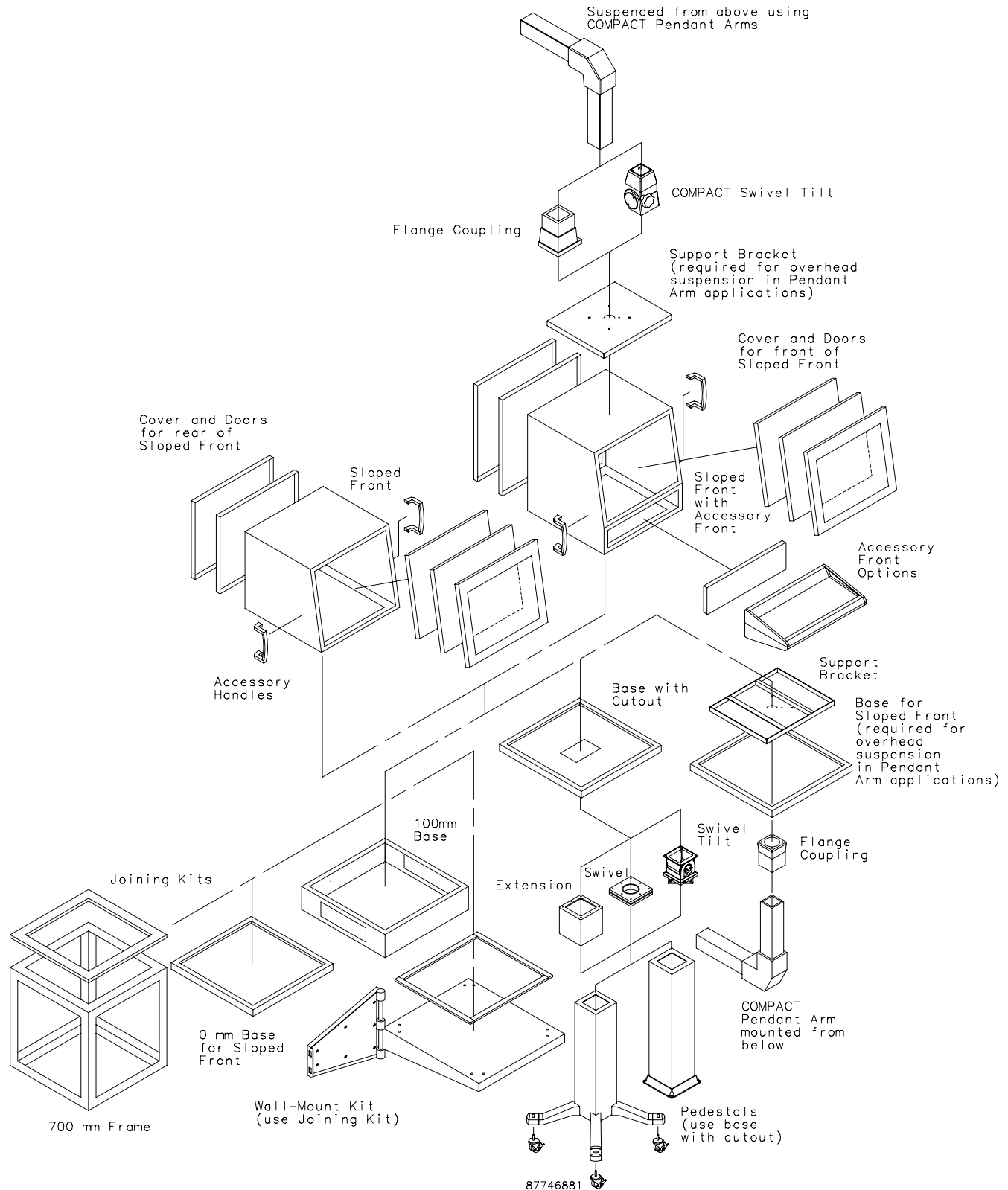
Stainless steel versions:

UL 508A Listed; Type 4, 4X, 12: File No. E61997
cUL Listed per CSA C22.2 No. 94; Type 4, 4X, 12: File No. E61997

NEMA/EEMAC Type 4, 4X, 12
IEC 60529, IP66

APPLICATION

A truly modular, build-your-own system for CRT monitors and keyboards, the PROLINE™ Sloped-Front HMI System's foundation is extremely adaptable for nearly any application. Add one or more of the many possible fronts, backs, mounting options, doors and bases to the core frame to build an enclosure that meets your design specifications.



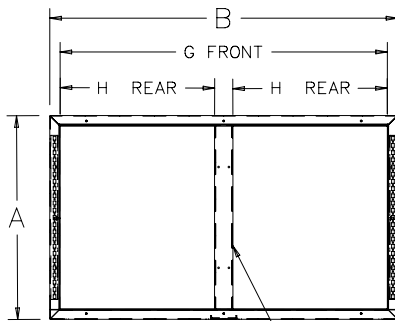
SLOPED FRONT

Enclosure is available in three heights—400, 500 and 700 mm. Full-front opening for door/cover options has a 5-degree slope. Rear opening(s) for door and cover options. Optional PROLINE™ Frame Shelf or PROLINE Grid System is recommended to provide a stationary platform for supporting deep equipment. The open bottom is suitable for joining the top to a 700-mm-tall PROLINE frame. The bottom of the 600 x 600-mm sizes can be joined through a cutout base to a pedestal or pendant arm system. A support bracket accessory allows the 600 x 600-mm sizes to be suspended from an overhanging pendant arm. Sloped-front enclosures are Type 304 stainless steel or 14 gauge steel with a RAL 7035 light-gray textured polyester powder paint finish.

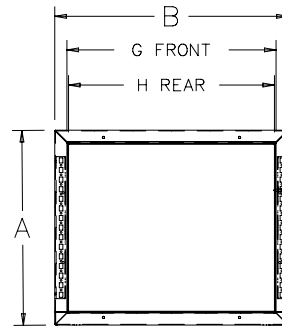
BULLETIN: P9, P9S



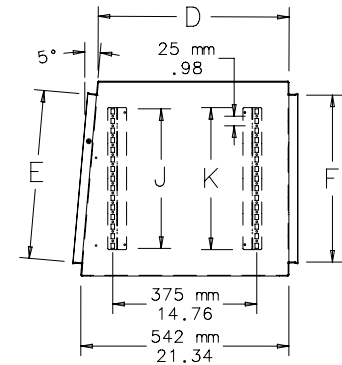
Catalog Number	AxB mm/in.	D mm/in.	Description	Nominal Size A x B x C mm/in.	Front Opening E x G mm/in.	Rear Opening F x H mm/in.	Internal Mounting J mm/in.	Internal Mounting K mm/in.	Product Weight (lb.)
PST466	407 x 608 16.04 x 23.94	507 19.96	Steel	400 x 600 x 600	339 x 536 13.36 x 21.11	336 x 564 13.21 x 21.11	225 8.86	225 8.86	44.0
PST566	507 x 608 19.98 x 23.94	498 19.61	Steel	500 x 600 x 600	440 x 536 17.31 x 21.11	435 x 536 17.13 x 21.11	325 12.80	325 12.80	46.7
PST766	707 x 608 27.85 x 23.94	481 18.92	Steel	700 x 600 x 600	641 x 536 25.22 x 21.11	636 x 536 25.02 x 21.11	525 20.67	525 20.67	59.9
PST766SS	707 x 608 27.85 x 23.94	481 18.92	Stainless Steel	700 x 600 x 600	641 x 536 25.22 x 21.11	636 x 536 25.02 x 21.11	525 20.67	525 20.67	68.0
PST786	707 x 808 27.85 x 31.81	481 18.92	Steel	700 x 800 x 600	640 x 736 25.22 x 28.98	636 x 736 25.02 x 28.98	525 20.67	525 20.67	66.0
PST7126	707 x 1208 27.85 x 47.56	481 18.92	Steel	700 x 1200 x 600	641 x 1136 25.22 x 44.73	636 x 536 25.02 x 21.11	525 20.67	525 20.67	82.0



1200 mm wide



800 mm wide



87746882