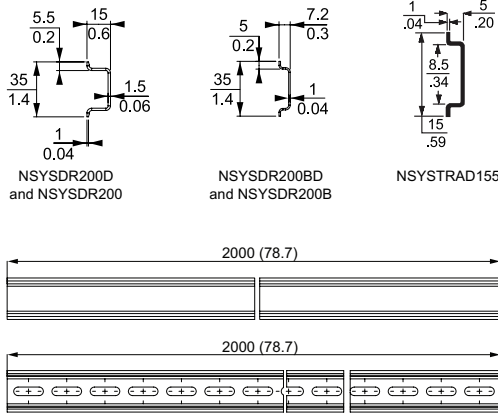






Mounting Track and End Clamps

Table 24.31: DIN 3 Track—78.74 inches (2 meter) length



Description	Length		Catalog Number	Std. Pack [1]
	In.	mm		
DIN 3				
Symmetrical rail 35x15 mm depth, 1.5 mm thick galvanized steel, Prepunched	78.74	2000	NSYSR200D	20
Symmetrical rail 35x15 mm depth, 1.5 mm thick galvanized steel, No mounting holes	78.74	2000	NSYSR200	20
Symmetrical rail 35x7.2 mm depth, 1 mm thick galvanized steel, Prepunched	78.74	2000	NSYSR200BD	20
Symmetrical rail 35x7.2 mm depth, 1 mm thick galvanized steel, No mounting holes	78.74	2000	NSYSR200B	20
DIN 2				
Symmetrical rail 15x5 mm depth, 1 mm thick galvanized steel, Prepunched	78.74	2000	NSYTRADR155	5
End Clamps				
 Plastic clip-on end clamp for 35 mm DIN 3 track	0.21	5.2	NSYTRAA35	50
 Plastic clip-on end clamp with screw for 35 mm DIN 3 track	0.37	9.5	NSYTRAA35S	50
 Plastic clip-on end clamp for 15 mm DIN 2 track	0.21	5.2	NSYTRAA15	50
 Polycarbonate end clamp for 35 mm DIN 3 track	0.31	8	9080MHA10	50
RoHS Compliant				

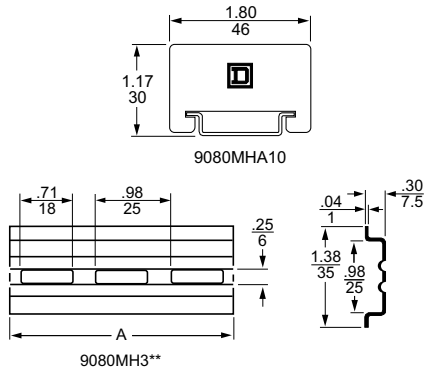


Table 24.32: DIN 3 Track – Various Lengths

Description	Length		Class 9080 Type	Std. [1] Pack	
	In.	mm			
Galvanized steel, no mounting holes	3	0.08	9080MH203	10	
	4	0.10	9080MH204		
	5	0.13	9080MH205		
	6	0.15	9080MH206		
	7	0.18	9080MH207		
	8	0.20	9080MH208		
	9	0.23	9080MH209		
	10	0.25	9080MH210		
	11	0.28	9080MH211		
	12	0.30	9080MH212		
	13	0.33	9080MH213		
	14	0.36	9080MH214		
	15	0.38	9080MH215		
	16	0.41	9080MH216		
	17	0.43	9080MH217		
	18	0.46	9080MH218		
	19.68	500	9080MH220		
	39.37	1000	9080MH239		
	78.74	2000	9080MH279		
	Symmetrical rail 35 x 7.5 mm (1.38 in. x 0.295 in.) in compliance with EN 50022 standard (DIN 46277-3).	3	0.08		9080MH303
4		0.10	9080MH304		
5		0.13	9080MH305		
6		0.15	9080MH306		
7		0.18	9080MH307		
8		0.20	9080MH308		
9		0.23	9080MH309		
10		0.25	9080MH310		
11		0.28	9080MH311		
12		0.30	9080MH312		
13		0.33	9080MH313		
14		0.36	9080MH314		
15		0.38	9080MH315		
16		0.41	9080MH316		
17		0.43	9080MH317		
18		0.46	9080MH318		
19.68		500	9080MH320		
39.37		1000	9080MH339		
78.74		2000	9080MH379		
High rise track		Aluminum	39.37	1000	9080MH439

[1] Orders must specify the standard package quantity (Std. Pack) or multiples of that quantity.