

NSSC Series Manual Motor Starting Switches and NFS Series Fractional HP Starters and Enclosures

Corrosion-Resistant
Dust-tight
Watertight
Weatherproof
NEMA 3, 4X, 12

2C

Applications:

- Motor Starting Switches are used in manual "ON" and "OFF" control of DC and single-phase or three-phase AC motors where overload protection is not required or is provided separately
- NFSC Fractional Horsepower Starters are used in manual "ON" and "OFF" control and overload protection of small single phase motors
- Both are suitable for use in wet and/or corrosive environments

Features:

- Enclosures are made of Eaton's Crouse-Hinds high-impact strength *Krydon*[®] fiberglass-reinforced polyester material which has excellent corrosion resistance and stability to heat
- Provided with a toggle lever with a molded-in stainless steel shaft
- Factory installed through feed (NSSC, NFSC) hubs, 1/2" or 3/4" size
- Indicating plate is made of stainless steel

Certifications and Compliances:

- NEMA 3, 4X, and 12

Options:

- Grounding plate or bushing – see page 677



Ordering Information

NSSC Series Manual Motor Starting Switch Without Overload Protection With Square D Switches

Poles	Max. HP Rating			Max. Amp. Ratings	
	115 VAC	200–230 VAC	460–575 VAC	250 VDC	600 VDC
2	1	2	3	30	20
3	2	7½	10	30	20

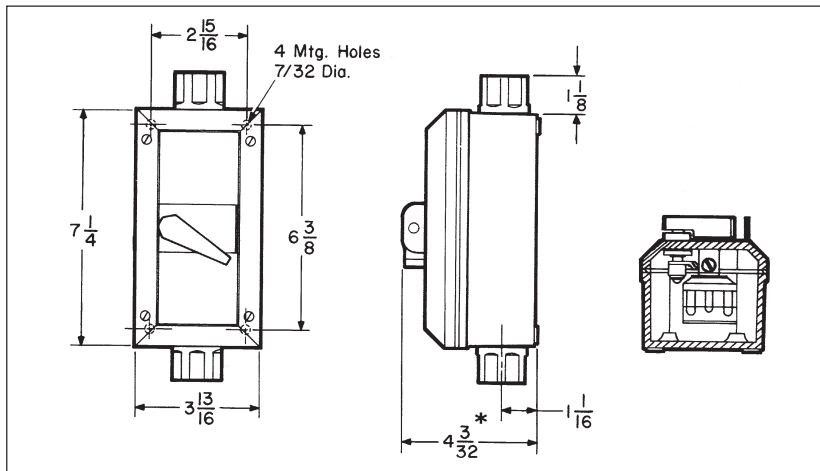
Poles	Enclosure With Switch	
	Hub Size	Through Feed Cat. #
2	1/2	NSSC D12
	3/4	NSSC D22
3	1/2	NSSC D13
	3/4	NSSC D23

Enclosures Only

Enclosure Type	Hub Size	Through Feed Cat. #
Manual Motor Starting Switch	1/2	NSSC1
	3/4	NSSC2
Fractional HP Starter	1/2	NFSC1
	3/4	NFSC2

Dimensions*

In Inches:



*Dimensions are approximate. Not to be used for construction purposes unless approved.

2C

NSSC Series Manual Motor Starting Switches and NFS Series Fractional HP Starters and Enclosures

Corrosion-Resistant
Dust-tight
Watertight
Weatherproof
NEMA 3, 4X, 12

Ordering Information

NFSC Series Fractional HP Starters With Overload Protection

With Allen-Bradley Bulletin 600 Switches

Poles	Maximum HP Ratings	
	115-230 Volts AC	115-230 Volts DC
1	1 hp	
2	1 hp	¾ hp

Poles	Enclosure With Starter	
	Hub Size	Through Feed Cat. #
1	½	NFSC AB11 ①
	¾	NFSC AB21 ①
2	½	NFSC AB12 ①
	¾	NFSC AB22 ①

Heater Table (see pages 479-480)

With Cutler-Hammer Switches

Poles	Maximum HP Ratings	
	115-230 Volts AC	115-230 Volts DC
1	1 hp	
2	1 hp	1 hp

Poles	Enclosure With Starter	
	Hub Size	Through Feed Cat. #
1	½	NFSC C11 ①
	¾	NFSC C21 ①
2	½	NFSC C12 ①
	¾	NFSC C22 ①

Heater Table (Cutler-Hammer)

Max. Motor Full-Load Amps	Eaton's Crouse-Hinds Symbol Number	Max. Motor Full-Load Amps	Eaton's Crouse-Hinds Symbol Number
.43	W 1	2.95	W21
.48	W 2	3.27	W22
.53	W 3	3.59	W23
.58	W 4	3.99	W24
.64	W 5	4.39	W25
.71	W 6	4.79	W26
.78	W 7	5.26	W27
.87	W 8	5.83	W28
.95	W 9	6.39	W29
1.03	W10	7.03	W30
1.15	W11	7.74	W31
1.27	W12	8.46	W32
1.35	W13	9.35	W33
1.51	W14	10.30	W34
1.67	W15	11.35	W35
1.83	W16	12.47	W36
1.99	W17	13.67	W37
2.23	W18	15.12	W38
2.47	W19	16.00	W39
2.71	W20		

With General Electric Switches

Poles	Maximum HP Ratings			
	115-230 VAC	32 VDC	115 VDC	230 VDC
1	1 hp	¼ hp	1 hp	¼ hp
2	1 hp	¼ hp	1 hp	1 hp

Poles	Enclosure With Starter	
	Hub Size	Through Feed Cat. #
1	½	NFSC G11 ①
	¾	NFSC G21 ①
2	½	NFSC G12 ①
	¾	NFSC G22 ①

Heater Table (see pages 479-480)

With Square D Switches

Poles	Maximum HP Ratings	
	115-230 Volts AC	115-230 Volts DC
1	1 hp	
2	1 hp	¾ hp

Poles	Enclosure With Starter	
	Hub Size	Through Feed Cat. #
1	½	NFSC D11 ①
	¾	NFSC D21 ①
2	½	NFSC D12 ①
	¾	NFSC D22 ①

Heater Table (Square D)

Full-Load Motor Current	Eaton's Crouse-Hinds Symbol Number	Full-Load Motor Current	Eaton's Crouse-Hinds Symbol Number
0.41-0.44	A.49	2.85-3.06	A3.95
0.45-0.49	A.54	3.07-3.45	A4.32
0.50-0.53	A.59	3.46-3.70	A4.79
0.54-0.58	A.65	3.71-4.07	A5.30
0.59-0.65	A.71	4.08-4.32	A5.78
0.66-0.71	A.78	4.33-4.90	A6.20
0.72-0.78	A.86	4.91-5.35	A6.99
0.79-0.85	A.95	5.36-5.85	A7.65
0.86-0.96	A1.02	5.86-6.41	A8.38
0.97-1.04	A1.16	6.42-6.79	A9.25
1.05-1.16	A1.25	6.80-7.57	A9.85
1.17-1.29	A1.39	7.58-8.15	A11.0
1.30-1.37	A1.54	8.16-8.98	A11.9
1.38-1.47	A1.63	8.99-9.67	A13.2
1.48-1.56	A1.75	9.68-9.95	A14.1
1.57-1.65	A1.86	9.96-10.8	A14.8
1.66-1.79	A1.99	10.9-12.1	A16.2
1.80-1.95	A2.15	12.2-13.1	A17.9
1.96-2.15	A2.31	13.2-13.9	A19.8
2.16-2.38	A2.57	14.0-15.0	A21.3
2.39-2.75	A2.81	15.1-16.0	A25.2
2.76-2.84	A3.61		

① Includes one interchangeable heater. Select heater suffix from table and add to catalog number. Example: NFSC-D11A.49