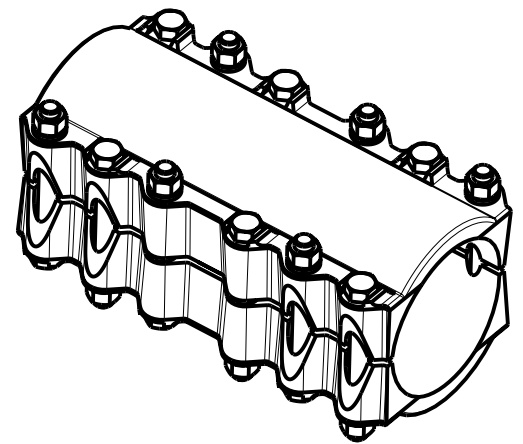
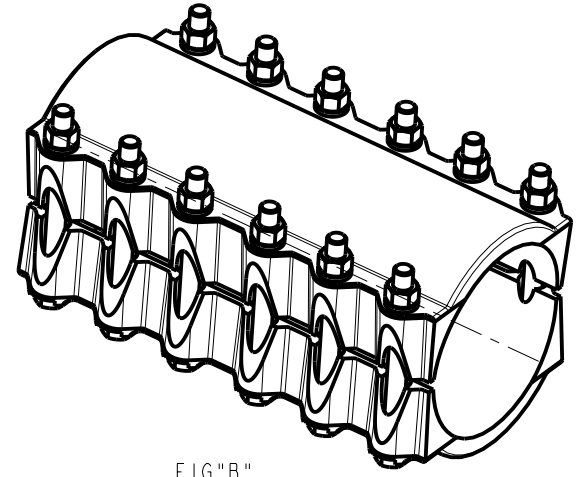
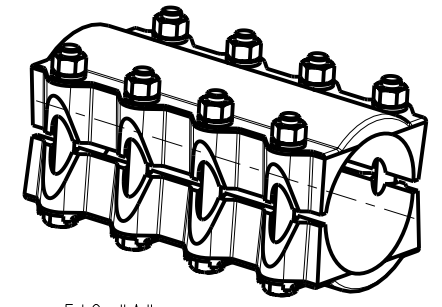
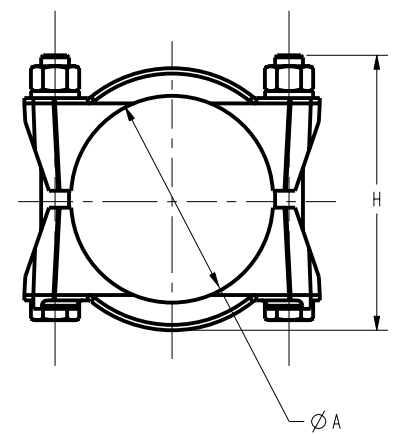
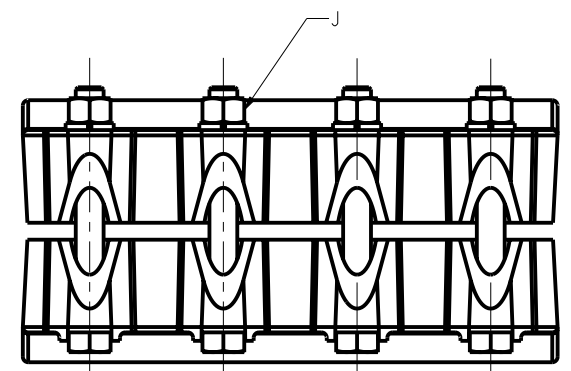
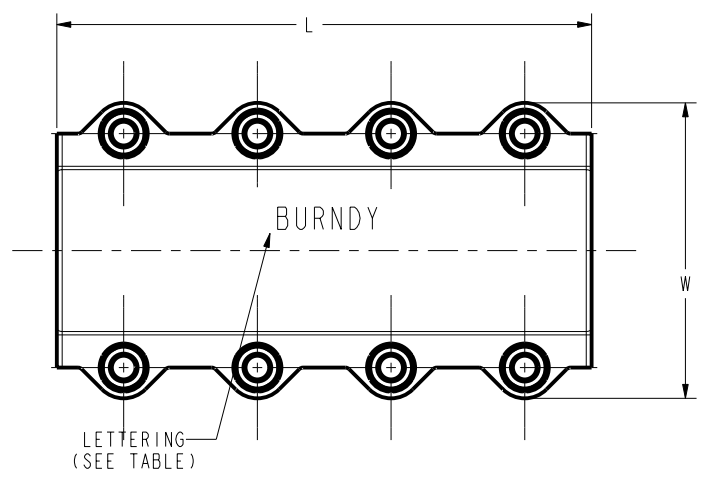


DRAWING NO.
SD213724-01

IPS	"A" DIA	CATALOG NUMBER	FIG.	ITEM NUMBER	H	J	L	W	LETTERING
1.25	1.660 [42]	NS16A16A	A	304079	3.50 [89]	1/2-13 [13]	7.75 [197]	3.41 [87]	NS16A16A 1 1/4" IPS CU-AL
1.5	1.900 [48]	NS17A17A	A	304820	4.00 [102]	1/2-13 [13]	8.25 [210]	3.64 [92]	NS17A17A 1 1/2" IPS CU-AL
2	2.375 [60]	NS18A18A	A	304825	4.62 [117]	5/8-11 [16]	8.75 [222]	4.50 [114]	NS18A18A 2" IPS CU-AL
2.5	2.875 [73]	NS19A19A	A	304830	4.26 [108]	5/8-11 [16]	9.31 [236]	5.00 [127]	NS19A19A 2 1/2" IPS CU-AL
3	3.500 [89]	NS20A20A	A	304835	5.62 [143]	5/8-11 [16]	10.25 [260]	5.63 [143]	NS20A20A 3" IPS CU-AL
3.5	4.000 [102]	NS21A21A	A	304840	5.25 [133]	5/8-11 [16]	8.00 [203]	6.14 [156]	NS21A21A 3 1/2" IPS CU-AL
4	4.500 [114]	NS22A22A	A	304845	5.94 [151]	5/8-11 [16]	12.00 [305]	6.62 [168]	NS22A22A 4" IPS CU-AL
5	5.563 [141]	NS24A24A	C	30452T	6.94 [176]	5/8-11 [16]	14.38 [365]	7.70 [196]	NS24A24A 5" IPS CU-AL
6	6.625 [168]	NS86A86A	B	25016825	8.04 [204]	5/8-11 [16]	16.25 [413]	8.76 [223]	NS86A86A 6" IPS CU-AL

REV	DATE	DESCRIPTION	ECO	BY	C'H'K.
C	11/8/2010 9:39:00 PM	ADDED HARDWARE OPTION NOTE REQUIRED FOR TOOLING ORDER IN HOUSE	22649	NJS	RL



- NOTES:
- MATERIAL: CAST ALUMINUM ALLOY
 - DIMENSIONS IN BRACKET [] DENOTES METRIC UNITS [MM] AND ARE ROUNDED TO THE NEAREST WHOLE NUMBER. UNLESS OTHERWISE SPECIFIED THESE NUMBERS SHALL BE USED FOR REFERENCE ONLY.
 - IMMEDIATELY PRIOR TO INSTALLATION, SCRATCH BRUSH CONNECTOR CONTACT SURFACE DRY, THEN APPLY PENETROX™ "A". PENETROX™ "A" CAN BE PURCHASED FROM BURNDY USA INC. IN CASE OR PLASTIC SQUEEZE BOTTLES.
 - THE CLAMPING HARDWARE HAS BEEN SELECTED TO PROVIDE THE REQUIRED FORCE WHEN TIGHTENED TO THE RECOMMENDED TORQUE. TO REDUCE OR GREATLY EXCEED THE RECOMMENDED TORQUE CAN ADVERSELY AFFECT THE PERFORMANCE OF THE CONNECTOR.
 - OPTIONAL HARDWARE VARIATIONS ARE AVAILABLE BY ADDING THE FOLLOWING SUFFIX TO THE CATALOG NUMBER.
EXAMPLE: AT22A20A30GS
GS= GALVANIZED STEEL
SS= STAINLESS STEEL
 - NOMINAL INSTALLATION TORQUE
1/2 ALUMINUM BOLTS - 300 LB-IN [35 NM]
1/2 GALVANIZED STEEL BOLTS - 480 LB-IN [55 NM]
1/2 STAINLESS STEEL BOLTS - 480 LB-IN [55 NM]
5/8 ALUMINUM BOLTS - 480 LB-IN [55 NM]
5/8 GALVANIZED STEEL BOLTS - 660 LB-IN [75 NM]
5/8 STAINLESS STEEL BOLTS - 660 LB-IN [75 NM]

DESCRIPTIVE NOTE:
ALUMINUM ALLOY COUPLER USED FOR JOINING EQUAL SIZES OF TUBE END TO END. PROPERLY PROPORTIONED TO PERMIT USE ON ALUMINUM COPPER COMBINATIONS. DESIGNED FOR USING ONE WRENCH DURING INSTALLATION.

TO ORDER BURNDY® PRODUCTS CALL		COUPLER, TUBE TO TUBE	
UNITED STATES 1-800-346-4175 (LONDONDERRY, NH)		ITEM NO: SEE TABLE	
CANADA: 1-800-361-6975 (QUEBEC) 1-800-387-6487 (ALL OTHER PROVINCES)		CAT. NO: NS-A-A(TABLE)	
FOR PRODUCT INFO: http://www.burndy.com		DRAWN BY: R LAVOIE --	
		CHECKER: R LAVOIE 12/10/10	
		DSN APPVL: R LAVOIE 12/10/10	
		MFG APPVL: T WAWRZYNIAK 12/22/10	
		QA APPVL: J HILLMAN 12/10/10	
		MKT APPVL: B MICHAUD 12/21/10	
		SCALE: 1:2	
		PROJ #:	
		SIZE	
		DRAWING NO	
		SD213724-01	
		REV	
		C	
		SHEET 1 OF 1	

REV: PEO200