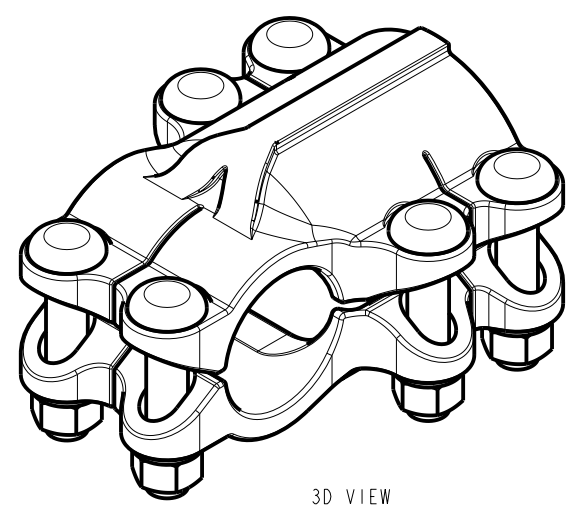
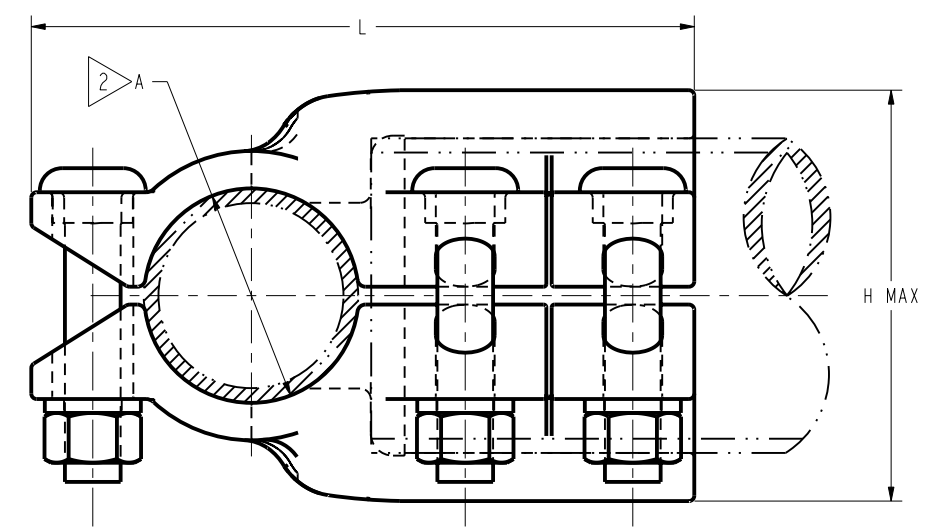
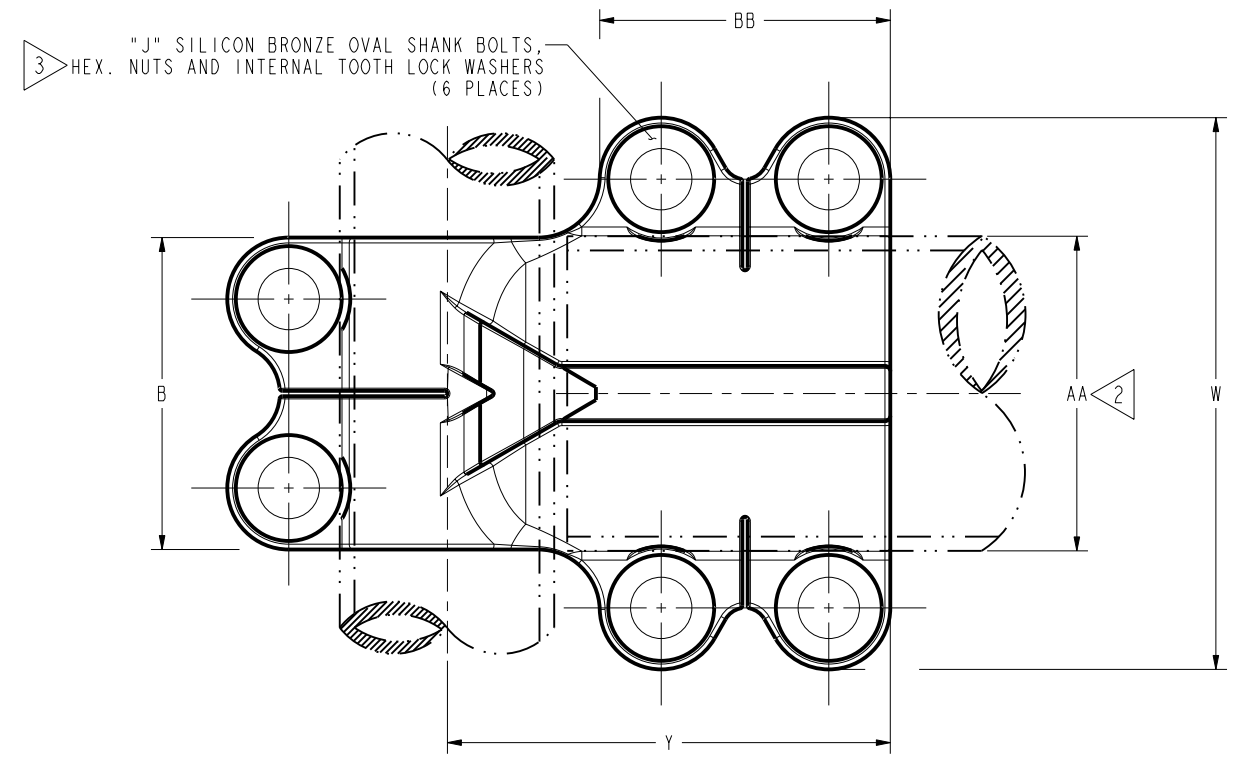


CATALOG NUMBER	ACCOMMODATES ²		DIMENSIONS						
	RUN "A"	TAP "AA"	B	BB	H MAX.	J ³	L	W	Y
NT1515	1" IPS (1.32) [33] DIA.	1" IPS (1.32) [33] DIA.	2.00 [51]	2.00 [51]	2.12 [54]	3/8-16	4.44 [113]	2.75 [70]	3.06 [79]
NT1615	1 1/4" IPS (1.66) [42] DIA.	1" IPS (1.32) [33] DIA.	2.00 [51]	2.00 [51]	2.44 [62]	3/8-16	4.75 [121]	2.75 [70]	3.19 [81]
NT1616	1 1/4" IPS (1.66) [42] DIA.	1 1/4" IPS (1.66) [42] DIA.	2.69 [68]	2.69 [68]	2.62 [67]	1/2-13	5.69 [145]	3.50 [89]	3.94 [100]
NT1715	1 1/2" IPS (1.90) [48] DIA.	1" IPS (1.32) [33] DIA.	2.00 [51]	2.00 [51]	5.06 [129]	3/8-16	5.06 [129]	2.75 [70]	3.31 [84]
NT1716	1 1/2" IPS (1.90) [48] DIA.	1 1/4" IPS (1.66) [42] DIA.	2.69 [68]	2.69 [68]	2.75 [70]	1/2-13	6.06 [154]	3.50 [89]	4.06 [103]
NT1717	1 1/2" IPS (1.90) [48] DIA.	1 1/2" IPS (1.90) [48] DIA.	2.69 [68]	2.69 [68]	2.75 [70]	1/2-13	6.06 [154]	3.94 [100]	4.12 [105]
NT1718	1 1/2" IPS (1.90) [48] DIA.	2" IPS (2.38) [60] DIA.	2.69 [68]	2.69 [68]	3.31 [84]	1/2-13	6.12 [155]	4.62 [117]	4.14 [105]
NT1814	2" IPS (2.38) [60] DIA.	3/4" IPS (1.05) [26] DIA.	2.00 [51]	2.00 [51]	3.12 [79]	3/8-16	5.56 [141]	2.75 [70]	3.56 [91]
NT1815	2" IPS (2.38) [60] DIA.	1" IPS (1.32) [33] DIA.	2.00 [51]	2.00 [51]	3.19 [81]	3/8-16	5.62 [143]	2.75 [70]	3.56 [91]
NT1816	2" IPS (2.38) [60] DIA.	1 1/4" IPS (1.66) [42] DIA.	2.69 [68]	2.69 [68]	2.69 [68]	1/2-13	6.56 [167]	3.50 [89]	4.00 [102]
NT1817	2" IPS (2.38) [60] DIA.	1 1/2" IPS (1.90) [48] DIA.	2.69 [68]	2.69 [68]	3.31 [84]	1/2-13	6.72 [171]	3.94 [100]	4.41 [112]
NT1818	2" IPS (2.38) [60] DIA.	2" IPS (2.38) [60] DIA.	3.06 [77]	2.69 [68]	3.31 [84]	1/2-13	6.69 [170]	4.62 [117]	4.38 [111]
NT1820	2" IPS (2.38) [60] DIA.	3" IPS (3.50) [89] DIA.	3.50 [89]	3.25 [83]	4.62 [117]	5/8-11	7.44 [189]	6.19 [157]	5.00 [127]
NT1915	2 1/2" IPS (2.88) [73] DIA.	1" IPS (1.32) [33] DIA.	2.00 [51]	2.00 [51]	3.69 [94]	3/8-16	6.12 [155]	2.75 [70]	3.81 [97]
NT1916	2 1/2" IPS (2.88) [73] DIA.	1 1/4" IPS (1.66) [42] DIA.	2.69 [68]	2.69 [68]	3.75 [95]	1/2-13	7.12 [181]	3.50 [83]	4.56 [116]
NT2018	3" IPS (3.50) [89] DIA.	2" IPS (2.38) [60] DIA.	3.63 [91]	2.69 [68]	4.56 [116]	1/2-13	7.97 [202]	4.62 [117]	4.97 [126]
NT2121	3 1/2" IPS (4.00) [102] DIA.	3 1/2" IPS (4.00) [102] DIA.	4.88 [124]	3.25 [83]	5.25 [133]	5/8-11	9.25 [235]	6.75 [171]	5.81 [148]
NT2222	4" IPS (4.50) [114] DIA.	4" IPS (4.50) [114] DIA.	5.44 [138]	3.25 [83]	5.75 [146]	5/8-11	9.81 [249]	7.44 [189]	6.12 [155]



- NOTES:
- MATERIAL: BODY & CAP: CAST COPPER ALLOY.
 - ACCOMMODATES: SEE TABLE.
 - NOMINAL BOLT INSTALLATION TORQUE:
240 LB-IN [30 Nm] FOR 3/8" HEX. SILICONE BRONZE HARDWARE.
480 LB-IN [55 Nm] FOR 1/2" HEX. SILICONE BRONZE HARDWARE.
660 LB-IN [75 Nm] FOR 5/8" HEX. SILICONE BRONZE HARDWARE.
 - DIMENSIONS IN BRACKETS [] DENOTES METRIC UNITS [SI UNITS] AND ARE ROUNDED TO THE NEAREST WHOLE NUMBER, UNLESS OTHERWISE SPECIFIED THESE UNITS SHALL BE USED FOR REFERENCE ONLY.
 - THE CONCEPT SHOWN INCORPORATES DESIGN PRINCIPLES WHICH PERMIT OPERATION AT A VOLTAGE GRADIENT NORMALLY ASSOCIATED WITH 138 KV RMS OPERATION PHASE TO PHASE.
 - ALL LETTERING IS RECESSED AND WILL APPEAR ON INSIDE OF CASTING
 - HEX BOLTS CAPTURED TO PREVENT TURNING DURING INSTALLATION.
 - MARKING:
BURNDY
---- (CATALOG NUMBER)
---- (ACCOMMODATES)

MARKING:
BURNDY
NT1820
2" IPS CU TO
3" IPS CU

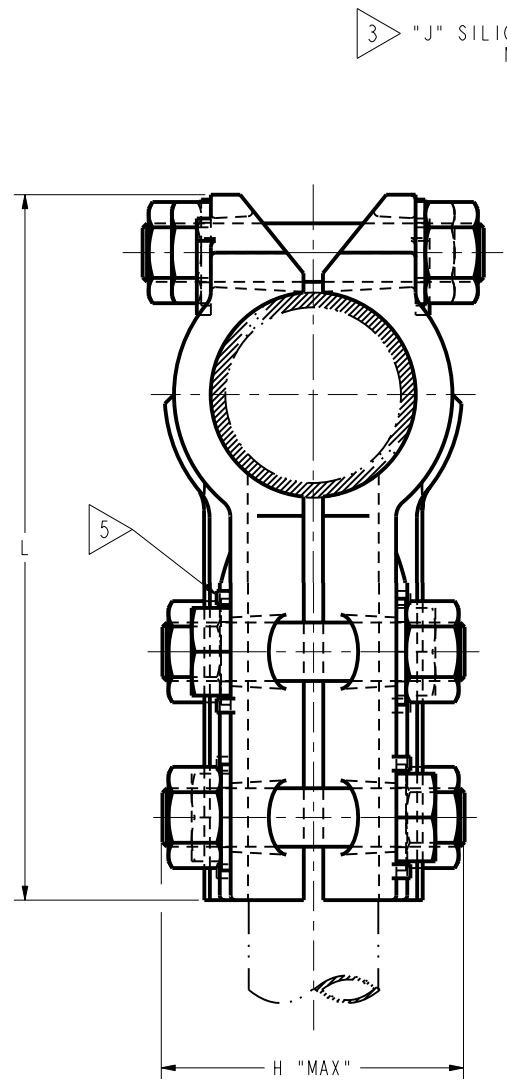
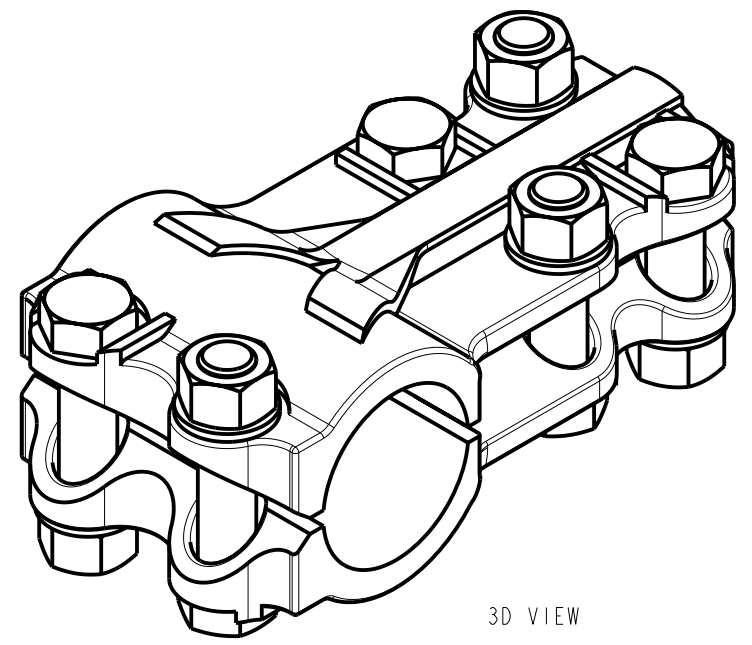
TO ORDER BURNDY® PRODUCTS CALL		T CONNECTOR	
UNITED STATES 1-800-346-4175 (LONDONDERRY, NH)		ITEM NO: --	SCALE: 5:4
CANADA: 1-800-361-6975 (QUEBEC) 1-800-387-6487 (ALL OTHER PROVINCES)		CAT. NO: SEE TABLE	REV
FOR PRODUCT INFO: http://www.burndy.com		DRAWN BY: M KATHIR 01/30/17 CHECKER: NJ SUDHAKAR 02/03/17 DSN APPVL: NJ SUDHAKAR 02/03/17 MFG APPVL: T WAWRZYNIAK 02/10/17 QA APPVL: J HILLMAN 02/02/17 MKT APPVL: B CRUTCHER 02/03/17	PROJ #: DOCUMENT TYPE: Sales REL LEVEL: Released
		PROJ #: DOCUMENT TYPE: Sales REL LEVEL: Released	DRAWING NO SE008186-01 SHEET 1 OF 2

REV: PE0200

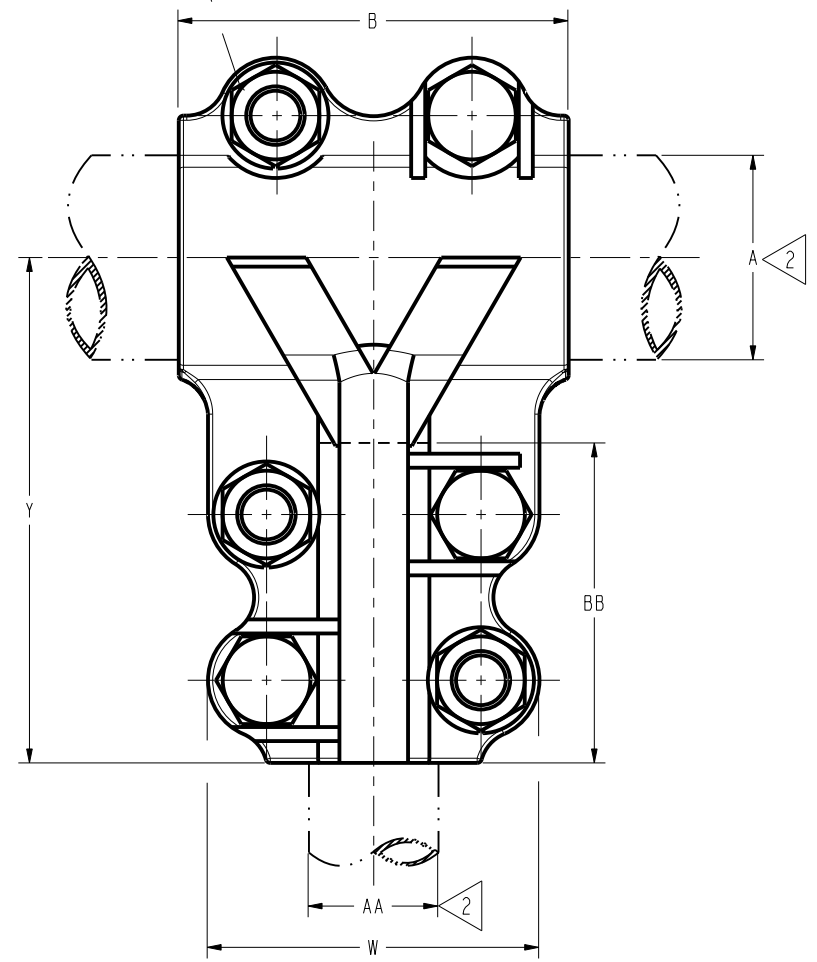
DRAWING NO.
SE008186-01

REV	DATE	DESCRIPTION	ECO	BY	C'H'K.
E	01/20/2017 00:00:00 AM	UPDATE IMAGE OF SALE'S DWG SE008186-SHEET 1	45794	MK	NJS

CATALOG NUMBER	ACCOMMODATES		B	BB	H MAX.	J	L	W	Y
	RUN "A"	TAP "AA"							
NT1414HC	3/4" IPS (1.05) [26] DIA.	3/4" IPS (1.05) [26] DIA.	2.69 [68]	2.69 [68]	2.31 [59]	1/2-13	5.12 [130]	2.88 [73]	3.70 [94]
NT1513HC	1" IPS (1.32) [33] DIA.	1/2" IPS (.840) [21] DIA.	2.50 [64]	2.12 [54]	2.25 [57]	3/8-16	4.91 [125]	2.13 [54]	3.63 [92]
NT1514HC	1" IPS (1.32) [33] DIA.	3/4" IPS (1.05) [26] DIA.	2.69 [68]	2.69 [68]	2.31 [59]	1/2-13	5.06 [129]	2.88 [73]	3.38 [85]
NT1515HC	1" IPS (1.32) [33] DIA.	1" IPS (1.32) [33] DIA.	2.69 [68]	2.69 [68]	2.31 [59]	1/2-13	5.62 [143]	3.31 [84]	3.91 [99]
NT1614HC	1 1/4" IPS (1.66) [42] DIA.	3/4" IPS (1.05) [26] DIA.	2.69 [68]	2.69 [68]	2.56 [65]	1/2-13	5.64 [143]	2.88 [73]	3.94 [100]
NT1615HC	1 1/4" IPS (1.66) [42] DIA.	1" IPS (1.32) [33] DIA.	2.69 [68]	2.69 [68]	2.56 [65]	1/2-13	5.64 [143]	3.31 [84]	3.94 [100]
NT1616HC	1 1/4" IPS (1.66) [42] DIA.	1 1/4" IPS (1.66) [42] DIA.	2.69 [68]	2.69 [68]	2.56 [65]	1/2-13	5.64 [143]	3.50 [89]	3.94 [100]
NT1717HC	1 1/2" IPS (1.90) [48] DIA.	1 1/2" IPS (1.90) [48] DIA.	2.69 [68]	2.69 [68]	2.72 [69]	1/2-13	6.06 [154]	3.94 [100]	4.09 [104]
NT1914HC	2 1/2" IPS (2.88) [73] DIA.	3/4" IPS (1.05) [26] DIA.	2.69 [68]	2.69 [68]	3.64 [94]	1/2-13	7.12 [181]	2.88 [73]	4.50 [114]
NT1919HC	2 1/2" IPS (2.88) [73] DIA.	2 1/2" IPS (2.88) [73] DIA.	3.62 [92]	2.69 [68]	3.64 [94]	1/2-13	7.25 [184]	5.25 [133]	4.62 [117]
NT2020HC	3" IPS (3.50) [89] DIA.	3" IPS (3.50) [89] DIA.	4.31 [109]	3.25 [83]	4.62 [117]	5/8-11	8.62 [219]	6.19 [157]	5.56 [141]



3 "J" SILICON BRONZE HEX. BOLTS,
NUTS AND SPLIT WASHERS
(6 PLACES)



TO ORDER BURNDY® PRODUCTS CALL
UNITED STATES
1-800-346-4175 (LONDONDERRY, NH)
CANADA:
1-800-361-6975 (QUEBEC)
1-800-387-6487 (ALL OTHER PROVINCES)
FOR PRODUCT INFO: <http://www.burndy.com>

T CONNECTOR			
ITEM NO:	--		
CAT. NO:	NT--		
DRAWN BY:	M KATHIR	01/30/17	BURNDY
CHECKER:	NJ SUDHAKAR	02/03/17	
DSN APPVL:	NJ SUDHAKAR	02/03/17	
MFG APPVL:	T WAWRZYNIAK	02/10/17	
QA APPVL:	J HILLMAN	02/02/17	
MKT APPVL:	B CRUTCHER	02/03/17	SCALE: 7:4
PROD FAM:	SUBSTATION	DRAWING NO	REV
PROJECT #:	--	SIZE	SE008186-01
DOCUMENT TYPE:	Sales	D	SHEET 2 OF 2
REL LEVEL:	Released		E

REV: PE0200