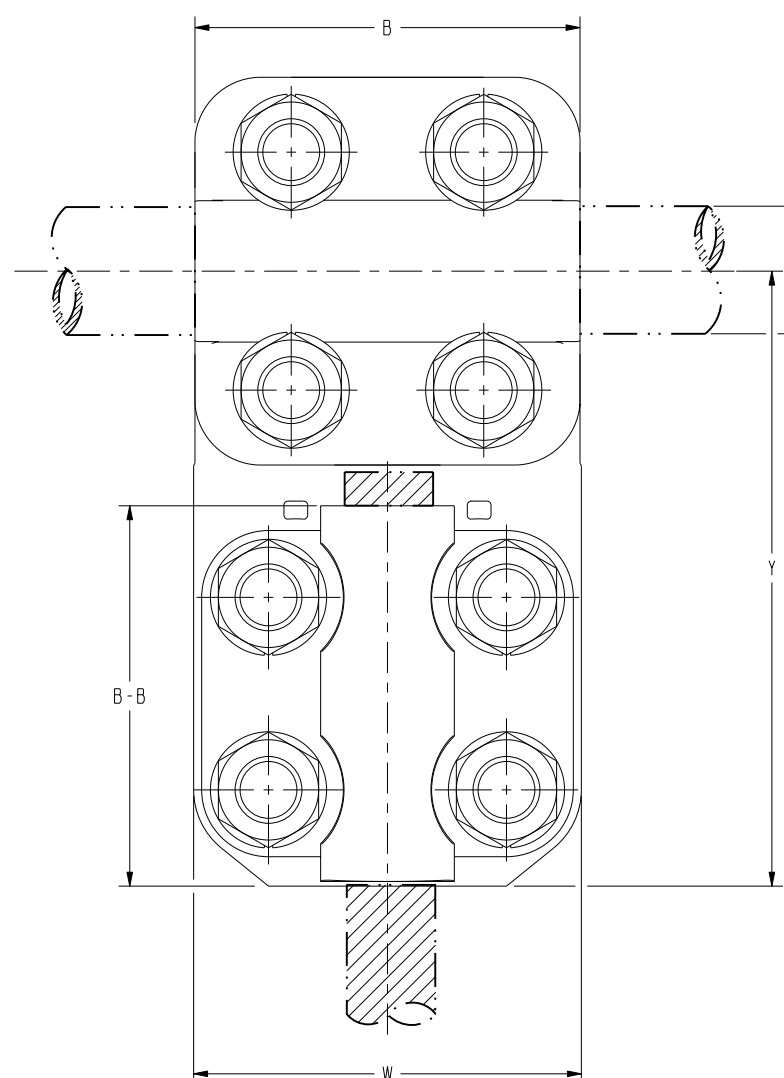
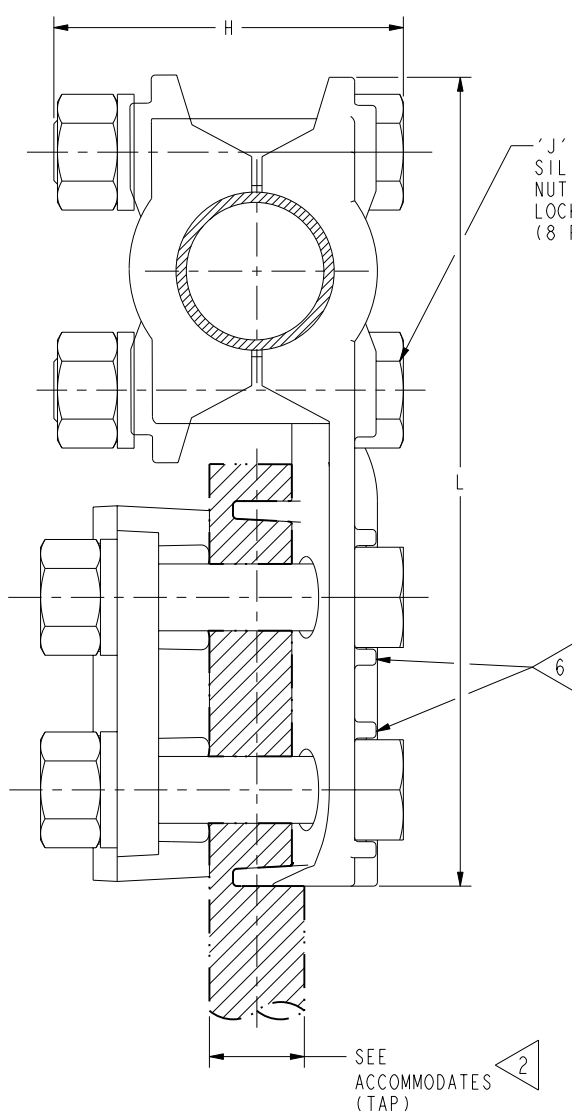


DRAWING NO.
SE087856-01

REV	DATE	DESCRIPTION	ECO	BY	C'H'K.
F	10/04/2013 09:30:00 AM	ADD PLATING NOTES TO THE DRAWING SE087856-01.	33531	BM	RL

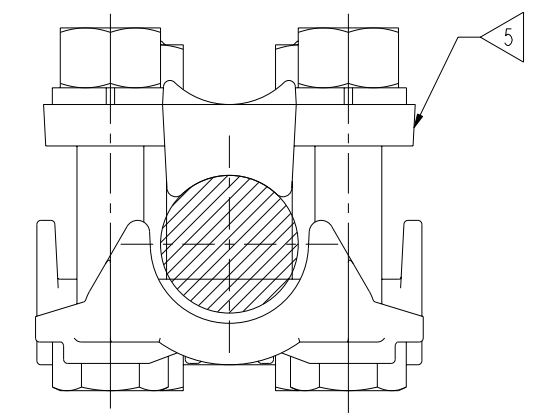


SEE ACCOMMODATES (RUN) 2

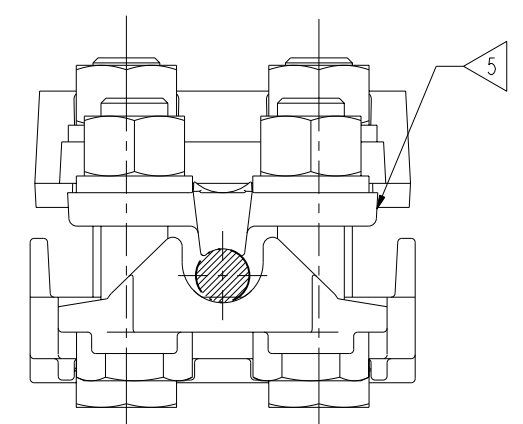


3/8" DIA. HEX. HEAD SILICON BRONZE BOLT, NUT AND SPLIT LOCK WASHER (8 PLACES) 3

SEE ACCOMMODATES (TAP) 2



LARGE GROOVE TAP



SMALL GROOVE TAP

- NOTES:
- 1 MATERIAL: CAST COPPER ALLOY.
 - 2 ACCOMMODATES: RUN: SEE TABLE
TAP: SEE TABLE
 - 3 NOMINAL BOLT INSTALLATION TORQUE:
3/8" SILICON BRONZE HARDWARE - 240 LB-IN [30 Nm]
1/2" SILICON BRONZE HARDWARE - 480 LB-IN [55 Nm]
 - 4 DIMENSIONS IN BRACKET [] DENOTES METRIC UNITS [SI UNITS] AND ARE ROUNDED TO THE NEAREST WHOLE NUMBER UNLESS OTHERWISE SPECIFIED THESE UNITS SHALL BE USED FOR REFERENCE ONLY.
 - 5 COMPLETE CABLE RANGE MAY BE ACCOMMODATED BY REVERSING CAP.
 - 6 HEX BOLTS CAPTURED TO PREVENT TURNING DURING INSTALLATION.
 - 7 PLATING OPTIONS: CONTACT BURNDY FOR OTHER AVAILABLE PLATING OPTIONS.
ADD SUFFIX TN FOR TIN PLATED BODY AND CAP ONLY.
ADD SUFFIX W FOR TIN PLATED BODY AND CAP WITH TIN PLATED HARDWARE.
ADD SUFFIX SV FOR SILVER PLATING.

REV: PE0200

TO ORDER BURNDY® PRODUCTS CALL UNITED STATES 1-800-346-4175 (LONDONDERRY, NH) CANADA: 1-800-361-6975 (QUEBEC) 1-800-387-6487 (ALL OTHER PROVINCES) FOR PRODUCT INFO: http://www.burndy.com		T-CONNECTOR	
		ITEM NO: N/A	CAT. NO: NHNT-- , NSNT-- (SEE TABLE)
DRAWN BY: M MOHAN 08/03/12 CHECKER: R LAVOIE 08/03/12 DSN APPVL: R LAVOIE 10/07/13 MFG APPVL: -- -- QA APPVL: J HILLMAN 10/07/13 MKT APPVL: B MICHAUD 10/11/13			
PROJ #: --	SIZE: D	DRAWING NO: SE087856-01	REV: F
DOCUMENT TYPE: Sales	REL LEVEL: Released	SCALE: 1:1 SHEET 1 OF 3	

REV	DATE	DESCRIPTION	ECO	BY	C'H'K.
F	10/04/2013 09:30:00 AM	ADD PLATING NOTES TO THE DRAWING SE087856-01.	33531	BM	RL

CATALOG NUMBER	ITEM NUMBER	RUN IPS OR EHPS	COMMERCIAL COPPER CABLE RANGE			METRIC COPPER CABLE RANGE			B	B-B	H	'J' DIA.	L	W	Y	
			COMPLETE TAP CABLE RANGE	SMALL TAP GROOVE	LARGE TAP GROOVE	COMPLETE TAP CABLE RANGE	SMALL TAP GROOVE	LARGE TAP GROOVE								
D	NSNT1429	3/4" (1.050 [27] DIA.)	6 SOL (.162 DIA.) TO 250 Kcmil (.575 DIA.)	6 SOL (.162 DIA.) TO 1/0 STR (.372 DIA.)	2/0 STR (.420 DIA.) TO 250 Kcmil (.575 DIA.)	10mm ² (4.12mm DIA) TO 120mm ² (14.40mm DIA.)	10mm ² (4.12mm DIA) TO 50mm ² (9.27mm DIA.)	70mm ² (10.92mm DIA) TO 120mm ² (14.40mm DIA.)	2.00 [51]	2.38 [61]	2.00 [51]	3/8"-16	5.08 [129]	1.96 [50]	3.89 [99]	
	NHNT1429		290SUW	1/0 SOL (.325 DIA.) TO 500 Kcmil (.813 DIA.)	1/0 SOL (.325 DIA.) TO 4/0 STR (.529 DIA.)	250 Kcmil (.575 DIA.) TO 500 Kcmil (.813 DIA.)	50mm ² (9.27mm DIA) TO 240mm (20.35mm DIA.)	50mm ² (9.27mm DIA) TO 95mm ² (12.80mm DIA.)	120mm ² (14.40mm DIA) TO 240mm ² (20.35mm DIA.)	2.25 [57]	2.62 [67]	2.32 [59]	1/2"-13	5.82 [148]	2.44 [62]	4.38 [111]
	NSNT1434		290SVF	6 SOL (.162 DIA.) TO 250 Kcmil (.575 DIA.)	6 SOL (.162 DIA.) TO 1/0 STR (.372 DIA.)	2/0 STR (.420 DIA.) TO 250 Kcmil (.575 DIA.)	10mm ² (4.12mm DIA) TO 120mm ² (14.40mm DIA.)	10mm ² (4.12mm DIA) TO 50mm ² (9.27mm DIA.)	70mm ² (10.92mm DIA) TO 120mm ² (14.40mm DIA.)	2.00 [51]	2.38 [61]	2.10 [53]	3/8"-16	5.08 [129]	2.20 [56]	3.89 [99]
	NHNT1434		290IKY	1/0 SOL (.325 DIA.) TO 500 Kcmil (.813 DIA.)	1/0 SOL (.325 DIA.) TO 4/0 STR (.529 DIA.)	250 Kcmil (.575 DIA.) TO 500 Kcmil (.813 DIA.)	50mm ² (9.27mm DIA) TO 240mm (20.35mm DIA.)	50mm ² (9.27mm DIA) TO 95mm ² (12.80mm DIA.)	120mm ² (14.40mm DIA) TO 240mm ² (20.35mm DIA.)	2.25 [57]	2.62 [67]	2.42 [62]	1/2"-13	5.82 [148]	2.56 [65]	4.38 [111]
C	NSNT1529	1" (1.315 [33] DIA.)	6 SOL (.162 DIA.) TO 250 Kcmil (.575 DIA.)	6 SOL (.162 DIA.) TO 1/0 STR (.372 DIA.)	2/0 STR (.420 DIA.) TO 250 Kcmil (.575 DIA.)	10mm ² (4.12mm DIA) TO 120mm ² (14.40mm DIA.)	10mm ² (4.12mm DIA) TO 50mm ² (9.27mm DIA.)	70mm ² (10.92mm DIA) TO 120mm ² (14.40mm DIA.)	2.00 [51]	2.38 [61]	2.00 [51]	3/8"-16	5.34 [136]	1.96 [50]	4.02 [102]	
	NHNT1529		290SUX	1/0 SOL (.325 DIA.) TO 500 Kcmil (.813 DIA.)	1/0 SOL (.325 DIA.) TO 4/0 STR (.529 DIA.)	250 Kcmil (.575 DIA.) TO 500 Kcmil (.813 DIA.)	50mm ² (9.27mm DIA) TO 240mm (20.35mm DIA.)	50mm ² (9.27mm DIA) TO 95mm ² (12.80mm DIA.)	120mm ² (14.40mm DIA) TO 240mm ² (20.35mm DIA.)	2.25 [57]	2.62 [67]	2.57 [65]	1/2"-13	5.92 [150]	2.44 [62]	4.43 [113]
	NSNT1534		50033104	2/0 STR (.420 DIA.) TO 800 Kcmil (1.031 DIA.)	2/0 STR (.420 DIA.) TO 500 Kcmil (.813 DIA.)	500 Kcmil (.813 DIA.) TO 800 Kcmil (1.031 DIA.)	70mm ² (10.92mm DIA) TO 400mm ² (26.10mm DIA.)	70mm ² (10.92mm DIA) TO 240mm ² (20.35mm DIA.)	240mm ² (20.35mm DIA) TO 400mm ² (26.10mm DIA.)	2.00 [51]	2.38 [61]	2.00 [51]	3/8"-16	5.34 [136]	2.20 [56]	4.02 [102]
	NHNT1534		290SUY	1/0 SOL (.325 DIA.) TO 500 Kcmil (.813 DIA.)	1/0 SOL (.325 DIA.) TO 4/0 STR (.529 DIA.)	250 Kcmil (.575 DIA.) TO 500 Kcmil (.813 DIA.)	50mm ² (9.27mm DIA) TO 240mm (20.35mm DIA.)	50mm ² (9.27mm DIA) TO 95mm ² (12.80mm DIA.)	120mm ² (14.40mm DIA) TO 240mm ² (20.35mm DIA.)	2.25 [57]	2.62 [67]	2.57 [65]	1/2"-13	5.92 [150]	2.56 [65]	4.43 [113]
B	NSNT1540	1 1/4" (1.660 [42] DIA.)	2/0 STR (.420 DIA.) TO 800 Kcmil (1.031 DIA.)	2/0 STR (.420 DIA.) TO 500 Kcmil (.813 DIA.)	500 Kcmil (.813 DIA.) TO 800 Kcmil (1.031 DIA.)	70mm ² (10.92mm DIA) TO 400mm ² (26.10mm DIA.)	70mm ² (10.92mm DIA) TO 240mm ² (20.35mm DIA.)	240mm ² (20.35mm DIA) TO 400mm ² (26.10mm DIA.)	2.00 [51]	2.50 [64]	2.35 [60]	3/8"-16	5.52 [140]	2.78 [71]	4.20 [107]	
	NHNT1540		290SVJ	1/0 SOL (.325 DIA.) TO 500 Kcmil (.813 DIA.)	1/0 SOL (.325 DIA.) TO 4/0 STR (.529 DIA.)	250 Kcmil (.575 DIA.) TO 500 Kcmil (.813 DIA.)	50mm ² (9.27mm DIA) TO 240mm (20.35mm DIA.)	50mm ² (9.27mm DIA) TO 95mm ² (12.80mm DIA.)	120mm ² (14.40mm DIA) TO 240mm ² (20.35mm DIA.)	2.25 [57]	2.56 [65]	2.60 [66]	1/2"-13	5.92 [150]	2.78 [71]	4.43 [113]
	NSNT1629		290SVG	6 SOL (.162 DIA.) TO 250 Kcmil (.575 DIA.)	6 SOL (.162 DIA.) TO 1/0 STR (.372 DIA.)	2/0 STR (.420 DIA.) TO 250 Kcmil (.575 DIA.)	10mm ² (4.12mm DIA) TO 120mm ² (14.40mm DIA.)	10mm ² (4.12mm DIA) TO 50mm ² (9.27mm DIA.)	70mm ² (10.92mm DIA) TO 120mm ² (14.40mm DIA.)	2.00 [51]	2.38 [61]	2.37 [60]	3/8"-16	5.78 [147]	1.96 [50]	4.24 [108]
	NHNT1629		290IJX	1/0 SOL (.325 DIA.) TO 500 Kcmil (.813 DIA.)	1/0 SOL (.325 DIA.) TO 4/0 STR (.529 DIA.)	250 Kcmil (.575 DIA.) TO 500 Kcmil (.813 DIA.)	50mm ² (9.27mm DIA) TO 240mm (20.35mm DIA.)	50mm ² (9.27mm DIA) TO 95mm ² (12.80mm DIA.)	120mm ² (14.40mm DIA) TO 240mm ² (20.35mm DIA.)	2.69 [68]	2.62 [66]	2.60 [66]	1/2"-13	6.32 [161]	2.56 [65]	4.63 [118]
A	NHNT1644	1 1/2" (1.900 [48] DIA.)	4/0 STR (.529 DIA.) TO 1000 Kcmil (1.152 DIA.)	4/0 STR (.529 DIA.) TO 750 Kcmil (.998 DIA.)	750 Kcmil (.998 DIA.) TO 1000 Kcmil (1.152 DIA.)	95mm ² (12.80mm DIA) TO 500mm ² (29.30mm DIA)	95mm ² (12.80mm DIA) TO 400mm ² (26.10mm DIA.)	400mm ² (26.10mm DIA) TO 500mm ² (29.30mm DIA)	2.88 [73]	2.69 [68]	2.68 [68]	1/2"-13	6.58 [167]	2.90 [74]	4.89 [124]	
	NHNT1729		290SVL	6 SOL (.162 DIA.) TO 250 Kcmil (.575 DIA.)	6 SOL (.162 DIA.) TO 1/0 STR (.372 DIA.)	2/0 STR (.420 DIA.) TO 250 Kcmil (.575 DIA.)	10mm ² (4.12mm DIA) TO 120mm ² (14.40mm DIA.)	10mm ² (4.12mm DIA) TO 50mm ² (9.27mm DIA.)	70mm ² (10.92mm DIA) TO 120mm ² (14.40mm DIA.)	2.69 [68]	2.62 [66]	2.70 [69]	1/2"-13	6.76 [172]	2.56 [65]	4.85 [123]
	NHNT1734		290SVC	1/0 SOL (.325 DIA.) TO 500 Kcmil (.813 DIA.)	1/0 SOL (.325 DIA.) TO 4/0 STR (.529 DIA.)	250 Kcmil (.575 DIA.) TO 500 Kcmil (.813 DIA.)	50mm ² (9.27mm DIA) TO 240mm (20.35mm DIA.)	50mm ² (9.27mm DIA) TO 95mm ² (12.80mm DIA.)	120mm ² (14.40mm DIA) TO 240mm ² (20.35mm DIA.)	2.88 [73]	2.69 [68]	2.78 [71]	1/2"-13	7.02 [178]	2.90 [74]	5.11 [130]
	NHNT1740		290SVM	2/0 STR (.420 DIA.) TO 800 Kcmil (1.031 DIA.)	2/0 STR (.420 DIA.) TO 500 Kcmil (.813 DIA.)	500 Kcmil (.813 DIA.) TO 800 Kcmil (1.031 DIA.)	70mm ² (10.92mm DIA) TO 400mm ² (26.10mm DIA.)	70mm ² (10.92mm DIA) TO 240mm ² (20.35mm DIA.)	240mm ² (20.35mm DIA) TO 400mm ² (26.10mm DIA.)	2.88 [73]	2.80 [71]	2.80 [71]	1/2"-13	7.02 [178]	2.90 [74]	5.11 [130]
NHNT1744	290SVE	4/0 STR (.529 DIA.) TO 1000 Kcmil (1.152 DIA.)	4/0 STR (.529 DIA.) TO 750 Kcmil (.998 DIA.)	750 Kcmil (.998 DIA.) TO 1000 Kcmil (1.152 DIA.)	95mm ² (12.80mm DIA) TO 500mm ² (29.30mm DIA)	95mm ² (12.80mm DIA) TO 400mm ² (26.10mm DIA.)	400mm ² (26.10mm DIA) TO 500mm ² (29.30mm DIA)	2.88 [73]	2.80 [71]	2.80 [71]	1/2"-13	7.02 [178]	2.90 [74]	5.11 [130]		

REV: PE0200

TO ORDER BURNDY® PRODUCTS CALL
 UNITED STATES
 1-800-346-4175 (LONDONDERRY, NH)
 CANADA:
 1-800-361-6975 (QUEBEC)
 1-800-387-6487 (ALL OTHER PROVINCES)
 FOR PRODUCT INFO: <http://www.burndy.com>

T-CONNECTOR	
ITEM NO:	SEE TABLE
CAT. NO:	NHNT--, NSNT-- (SEE TABLE)
DRAWN BY:	M MOHAN 08/03/12
CHECKER:	R LAVOIE 08/03/12
DSN APPVL:	R LAVOIE 10/07/13
MFG APPVL:	-- --
QA APPVL:	J HILLMAN 10/07/13
MKT APPVL:	B MICHAUD 10/11/13
PROD FAM:	SUBSTATION
PROJECT #:	--
DOCUMENT TYPE:	Sales
REL LEVEL:	Released
DRAWING NO	SE087856-01
REV	F
SCALE:	1:1
SHEET	2 OF 3

DRAWING NO.
SE087856-01

7

6

5

4

3

2

1

REV	DATE	DESCRIPTION	ECO	BY	C'H'K.
F	10/04/2013 09:30:00 AM	ADD PLATING NOTES TO THE DRAWING SE087856-01.	33531	BM	RL

D	CATALOG NUMBER	ITEM NUMBER	RUN IPS OR EHPS	COMMERCIAL COPPER CABLE RANGE			METRIC COPPER CABLE RANGE			B	B-B	H	'J' DIA	L	W	Y
				COMPLETE TAP CABLE RANGE	SMALL TAP GROOVE	LARGE TAP GROOVE	COMPLETE TAP CABLE RANGE	SMALL TAP GROOVE	LARGE TAP GROOVE							
C	NHNT1829	290SVA	2" (2.375 [60] DIA.)	6 SOL (.162 DIA.) TO 250 Kcmil (.575 DIA.)	6 SOL (.162 DIA.) TO 1/0 STR (.372 DIA.)	2/0 STR (.420 DIA.) TO 250 Kcmil (.575 DIA.)	10mm ² (4.12mm DIA.) TO 120mm ² (14.40mm DIA.)	10mm ² (4.12mm DIA.) TO 50mm ² (9.27mm DIA.)	70mm ² (10.92mm DIA.) TO 120mm ² (14.40mm DIA.)	2.69 [68]	2.62 [66]	3.06 [78]	7.44 [189]	2.44 [62]	2.56 [65]	5.19 [132]
	NHNT1834	290SUT		1/0 SOL (.325 DIA.) TO 500 Kcmil (.813 DIA.)	1/0 SOL (.325 DIA.) TO 4/0 STR (.529 DIA.)	250 Kcmil (.575 DIA.) TO 500 Kcmil (.813 DIA.)	50mm ² (9.27mm DIA.) TO 240mm (20.35mm DIA.)	50mm ² (9.27mm DIA.) TO 95mm ² (12.80mm DIA.)	120mm ² (14.40mm DIA.) TO 240mm ² (20.35mm DIA.)							
	NHNT1840	290SVW		2/0 STR (.420 DIA.) TO 800 Kcmil (1.031 DIA.)	2/0 STR (.420 DIA.) TO 500 Kcmil (.813 DIA.)	500 Kcmil (.813 DIA.) TO 800 Kcmil (1.031 DIA.)	50mm ² (9.27mm DIA.) TO 240mm (20.35mm DIA.)	50mm ² (9.27mm DIA.) TO 95mm ² (12.80mm DIA.)	240mm ² (20.35mm DIA.) TO 400mm ² (26.10mm DIA.)							
	NHNT1844	290SVP		4/0 STR (.529 DIA.) TO 1000 Kcmil (1.152 DIA.)	4/0 STR (.529 DIA.) TO 750 Kcmil (.998 DIA.)	750 Kcmil (.998 DIA.) TO 1000 Kcmil (1.152 DIA.)	95mm ² (12.80mm DIA.) TO 500mm ² (29.30mm DIA.)	95mm ² (12.80mm DIA.) TO 400mm ² (26.10mm DIA.)	400mm ² (26.10mm DIA.) TO 500mm ² (29.30mm DIA.)							
	NHNT1846	290SVQ		1000 Kcmil (1.152 DIA.) TO 1500 Kcmil (1.412 DIA.)	-----	1000 Kcmil (1.152 DIA.) TO 1500 Kcmil (1.412 DIA.)	500mm ² (29.30mm DIA.) TO 800mm ² (36.90mm DIA.)	-----	500mm ² (29.30mm DIA.) TO 800mm ² (36.90mm DIA.)							
B	NHNT1929	290SVU	2 1/2" (2.875 [73] DIA.)	6 SOL (.162 DIA.) TO 250 Kcmil (.575 DIA.)	6 SOL (.162 DIA.) TO 1/0 STR (.372 DIA.)	2/0 STR (.420 DIA.) TO 250 Kcmil (.575 DIA.)	10mm ² (4.12mm DIA.) TO 120mm ² (14.40mm DIA.)	10mm ² (4.12mm DIA.) TO 50mm ² (9.27mm DIA.)	70mm ² (10.92mm DIA.) TO 120mm ² (14.40mm DIA.)	2.69 [68]	2.62 [67]	3.64 [93]	8.06 [205]	2.44 [62]	2.56 [65]	5.50 [140]
	NHNT1934	290SVD		1/0 SOL (.325 DIA.) TO 500 Kcmil (.813 DIA.)	1/0 SOL (.325 DIA.) TO 4/0 STR (.529 DIA.)	250 Kcmil (.575 DIA.) TO 500 Kcmil (.813 DIA.)	50mm ² (9.27mm DIA.) TO 240mm (20.35mm DIA.)	50mm ² (9.27mm DIA.) TO 95mm ² (12.80mm DIA.)	120mm ² (14.40mm DIA.) TO 240mm ² (20.35mm DIA.)							
	NHNT1940	290SVR		2/0 STR (.420 DIA.) TO 800 Kcmil (1.031 DIA.)	2/0 STR (.420 DIA.) TO 500 Kcmil (.813 DIA.)	500 Kcmil (.813 DIA.) TO 800 Kcmil (1.031 DIA.)	50mm ² (9.27mm DIA.) TO 240mm (20.35mm DIA.)	50mm ² (9.27mm DIA.) TO 95mm ² (12.80mm DIA.)	240mm ² (20.35mm DIA.) TO 400mm ² (26.10mm DIA.)							
	NHNT1944	290STD		4/0 STR (.529 DIA.) TO 1000 Kcmil (1.152 DIA.)	4/0 STR (.529 DIA.) TO 750 Kcmil (.998 DIA.)	750 Kcmil (.998 DIA.) TO 1000 Kcmil (1.152 DIA.)	95mm ² (12.80mm DIA.) TO 500mm ² (29.30mm DIA.)	95mm ² (12.80mm DIA.) TO 400mm ² (26.10mm DIA.)	400mm ² (26.10mm DIA.) TO 500mm ² (29.30mm DIA.)							
	NHNT1946	290SVT		1000 Kcmil (1.152 DIA.) TO 1500 Kcmil (1.412 DIA.)	-----	1000 Kcmil (1.152 DIA.) TO 1500 Kcmil (1.412 DIA.)	500mm ² (29.30mm DIA.) TO 800mm ² (36.90mm DIA.)	-----	500mm ² (29.30mm DIA.) TO 800mm ² (36.90mm DIA.)							
A	NHNT2040	290129	3" (3.500 [89] DIA.)	2/0 STR (.420 DIA.) TO 800 Kcmil (1.031 DIA.)	2/0 STR (.420 DIA.) TO 500 Kcmil (.813 DIA.)	500 Kcmil (.813 DIA.) TO 800 Kcmil (1.031 DIA.)	50mm ² (9.27mm DIA.) TO 400mm ² (26.10mm DIA.)	50mm ² (9.27mm DIA.) TO 240mm ² (20.35mm DIA.)	240mm ² (20.35mm DIA.) TO 400mm ² (26.10mm DIA.)	2.69 [68]	2.88 [73]	4.26 [108]	8.69 [220]	2.78 [71]	5.82 [148]	
	NHNT2044	25004444		4/0 STR (.529 DIA.) TO 1000 Kcmil (1.152 DIA.)	4/0 STR (.529 DIA.) TO 750 Kcmil (.998 DIA.)	750 Kcmil (.998 DIA.) TO 1000 Kcmil (1.152 DIA.)	95mm ² (12.80mm DIA.) TO 500mm ² (29.30mm DIA.)	95mm ² (12.80mm DIA.) TO 400mm ² (20.35mm DIA.)	400mm ² (26.10mm DIA.) TO 500mm ² (29.30mm DIA.)							

A

A

REV: PE0200

TO ORDER BURNDY® PRODUCTS CALL		T-CONNECTOR	
UNITED STATES		ITEM NO: SEE TABLE	
1-800-346-4175 (LONDONDERRY, NH)		CAT. NO: NHNT--, NSNT-- (SEE TABLE)	
CANADA:		DRAWN BY: M MOHAN 08/03/12	
1-800-361-6975 (QUEBEC)		CHECKER: R LAVOIE 08/03/12	
1-800-387-6487 (ALL OTHER PROVINCES)		DSN APPVL: R LAVOIE 10/07/13	
FOR PRODUCT INFO: http://www.burndy.com		MFG APPVL: -- --	
		QA APPVL: J HILLMAN 10/07/13	
		MKT APPVL: B MICHAUD 10/11/13	
		SCALE: 1:1	
		PROJ FAM: SUBSTATION	
		DRAWING NO	
		REV	
		PROJECT #: --	
		SIZE	
		DOCUMENT TYPE: Sales	
		REL LEVEL: Released	
		D	
		SE087856-01	
		F	
		SHEET 3 OF 3	

8

7

6

5

4

3

2

1