

WEATHERPRO OUTDOOR PAD MOUNT, TYPE 3R



INDUSTRY STANDARDS

UL 508A Listed; Type 3R; File No. E61997 cUL/CSA C22.2 No. 94 Listed; Type 3R; File No. E61997

NEMA/EEMAC Type 3R
IEC 60529, IP32

APPLICATION

WEATHERPRO Outdoor Pad Mount Enclosures protect controls, drives, power distribution components or contactors in outdoor commercial or industrial power distribution and control applications. The overlapping two-door models with no centerpost allow full-width access to enclosure interior.

FEATURES

- 3-point latching system with heavy duty handle
- Padlock provision in handle
- Open bottom with pre-punched mounting hole flange
- Drip edge overhang on top
- Louvered overhang with a closure plate
- Studs included for mounting optional panels on threaded bolts
- Welded body construction
- Sturdy 7 gauge lifting tabs
- Overlapping doors with no centerpost on two-door models
- Bonding provision on each door
- Bolted hinges on doors

SPECIFICATIONS

- 14 gauge galvanized steel

FINISH

RAL 7035 light-gray polyester powder paint inside and outside. Optional panels are white.

ACCESSORIES

See also Accessories.

- Fan Shroud Kits
- 19-in. Fixed Wall-Mount Rack
- 19-in. Hinged Wall-Mount Panel
- Insect Screens

MODIFICATION AND CUSTOMIZATION

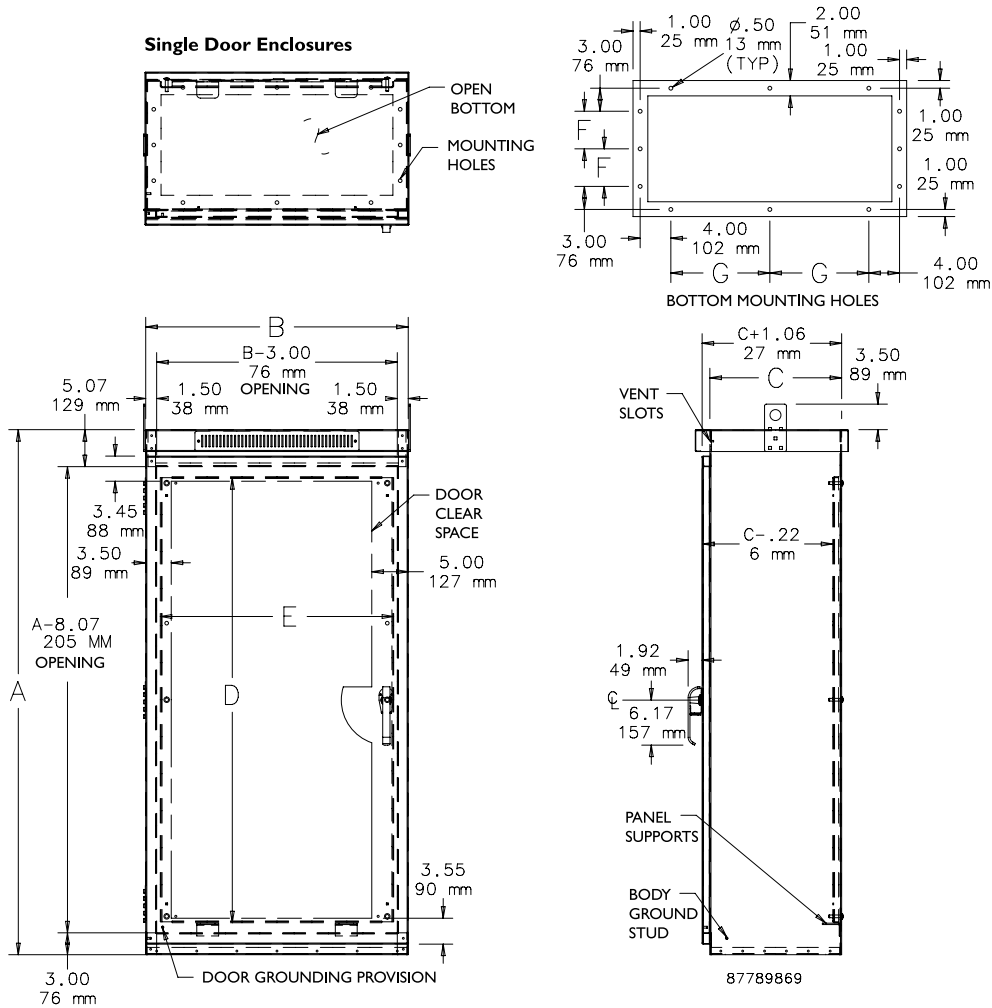
Hoffman excels at modifying and customizing products to your specifications. Contact your local Hoffman sales office or distributor for complete information.

BULLETIN: A3PM

Standard Product **WEATHERPRO Outdoor Pad-Mount Type 3R Single Door Enclosures**

Catalog Number	AxBxC in./mm	Panel	Panel Size D x E in./mm	Mounting Dimensions F x G in./mm
A60R2518FSLP	60.00 x 25.00 x 18.00 1524 x 635 x 457	A49P21N	49.16 x 21.50 1249 x 546	4.90 x 7.40 124 x 188
A60R2524FSLP	60.00 x 25.00 x 24.00 1524 x 635 x 610	A49P21N	49.16 x 21.50 1249 x 546	7.90 x 7.40 201 x 188
A72R2518FSLP	72.00 x 25.00 x 18.00 1829 x 635 x 457	A61P21N	61.16 x 21.50 1553 x 546	4.90 x 7.40 124 x 188
A60R3618FSLP	60.00 x 36.00 x 18.00 1524 x 914 x 457	A49P32N	49.16 x 32.00 1249 x 813	4.90 x 12.90 124 x 328
A72R3618FSLP	72.00 x 36.00 x 18.00 1829 x 914 x 457	A61P32N	61.16 x 32.00 1553 x 813	4.90 x 12.90 124 x 328
A72R3624FSLP	72.00 x 36.00 x 24.00 1829 x 914 x 610	A61P32N	61.16 x 32.00 1553 x 813	7.90 x 12.90 201 x 328

Purchase panels separately.

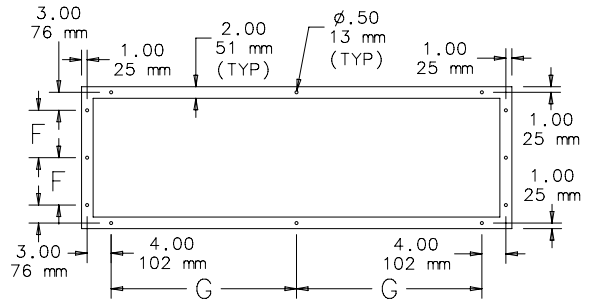
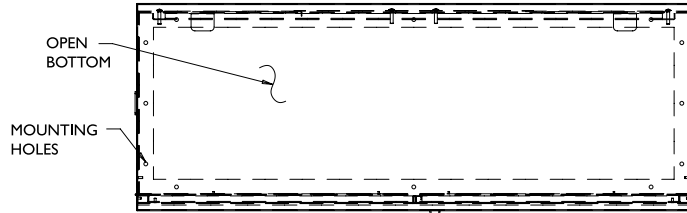


Standard Product **WEATHERPRO Outdoor Pad-Mount Type 3R Two-Door Enclosures**

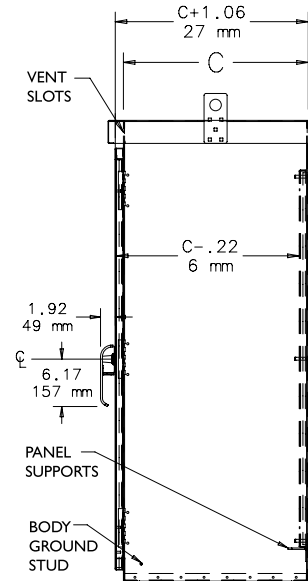
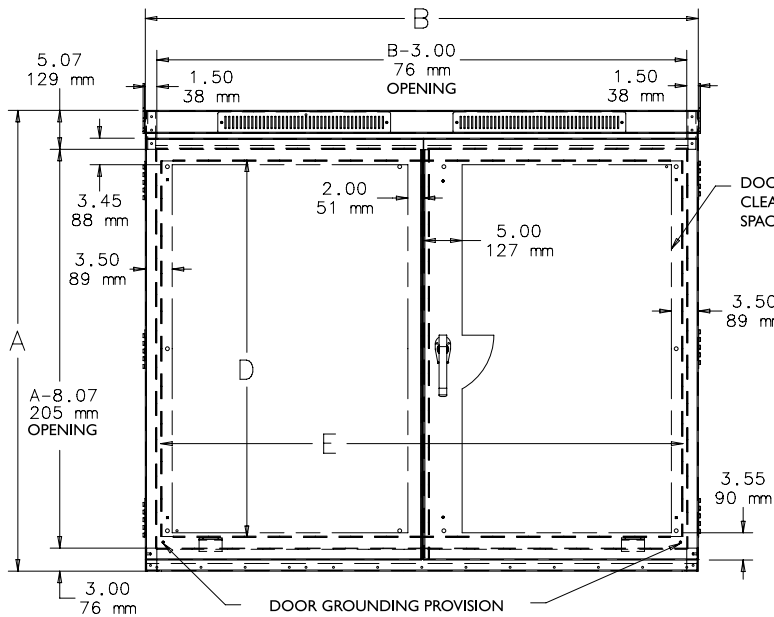
Catalog Number	AxBxC in./mm	Panel	Panel Size D x E in./mm	Mounting Dimensions F x G in./mm
A60R5218FSLP	60.00 x 52.00 x 18.00 1524 x 1321 x 457	A49P48N	49.16 x 48.00 1249 x 1219	4.90 x 20.90 124 x 531
A60R5224FSLP	60.00 x 52.00 x 24.00 1524 x 1321 x 610	A49P48N	49.16 x 48.00 1249 x 1219	7.90 x 20.90 201 x 531
A60R7224FSLP	60.00 x 72.00 x 24.00 1524 x 1829 x 610	A49P68N	49.16 x 68.00 1249 x 1727	7.90 x 30.90 201 x 785
A72R7218FSLP	72.00 x 72.00 x 18.00 1829 x 1829 x 457	A61P68N	61.16 x 68.00 1553 x 1727	4.90 x 30.90 124 x 785
A72R7224FSLP	72.00 x 72.00 x 24.00 1829 x 1829 x 610	A61P68N	61.16 x 68.00 1553 x 1727	7.90 x 30.90 201 x 785

Purchase panels separately.

Two-Door Enclosures



BOTTOM MOUNTING HOLES



87789871