

HEAVY-DUTY FREE-STAND DISCONNECT ENCLOSURE, TYPE 12



INDUSTRY STANDARDS

UL 508A Listed; Type 12; File No. E61997
 cUL Listed per CSA C22.2 No. 94; Type 12; File No. E61997

NEMA/EEMAC Type 12
 CSA File No. 42186: Type 12
 IEC 60529, IP55

APPLICATION

Simple, heavy-duty and cost-effective, this disconnect enclosure can be ordered with one to six doors to fit a range of applications.

SPECIFICATIONS

- .121-in. steel
- Seams continuously welded and ground smooth
- Body stiffeners in larger enclosures for extra rigidity
- Body flange trough excludes liquids and contaminants
- Heavy-duty lifting eyes anchor into reinforced top
- Removable centerposts permit easy panel installation
- Concealed, easy-to-remove hinges
- Heavy-duty 3-point latching mechanism operated by padlocking handle on all doors
- Ends of latch rods have rollers for easier door closing
- Panel supports
- Data pocket is high-impact thermoplastic
- Oil-resistant gasket
- Master door is far right-hand door on all enclosures
- Defeater on primary door requires a screwdriver to open
- Mechanical interlock activated by master door prevents slave doors from being opened first; doors can be closed in any order
- Universal cutout on right flange provides mounting for most disconnect operators by using operator adapters
- Models available with panel included or panel sold separately
- FTC models include removable painted 10 gauge steel panels which mount on collar studs
- Includes door hardware

FINISH

Two finishes are available: ANSI 61 gray, polyester powder paint outside and inside; or ANSI 61 outside and white, polyester powder paint inside. Panels have white or conductive finish.

ACCESSORIES

See also Accessories.

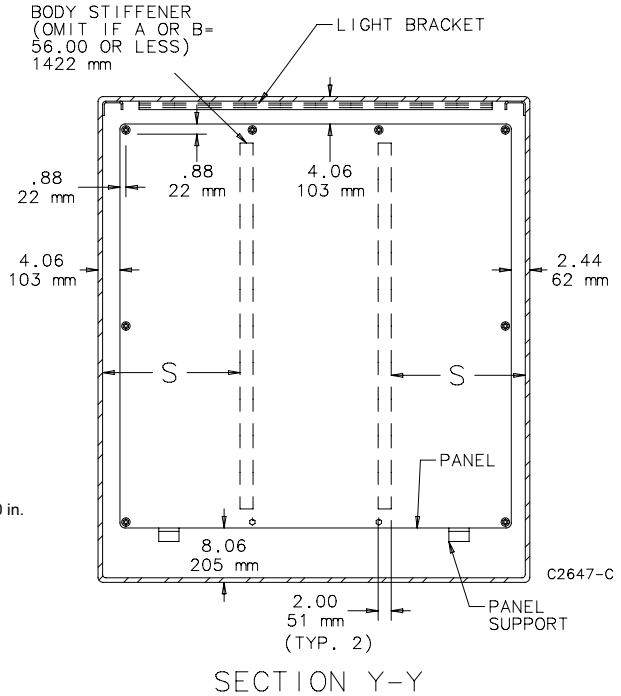
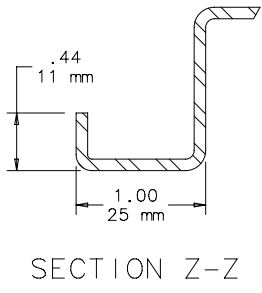
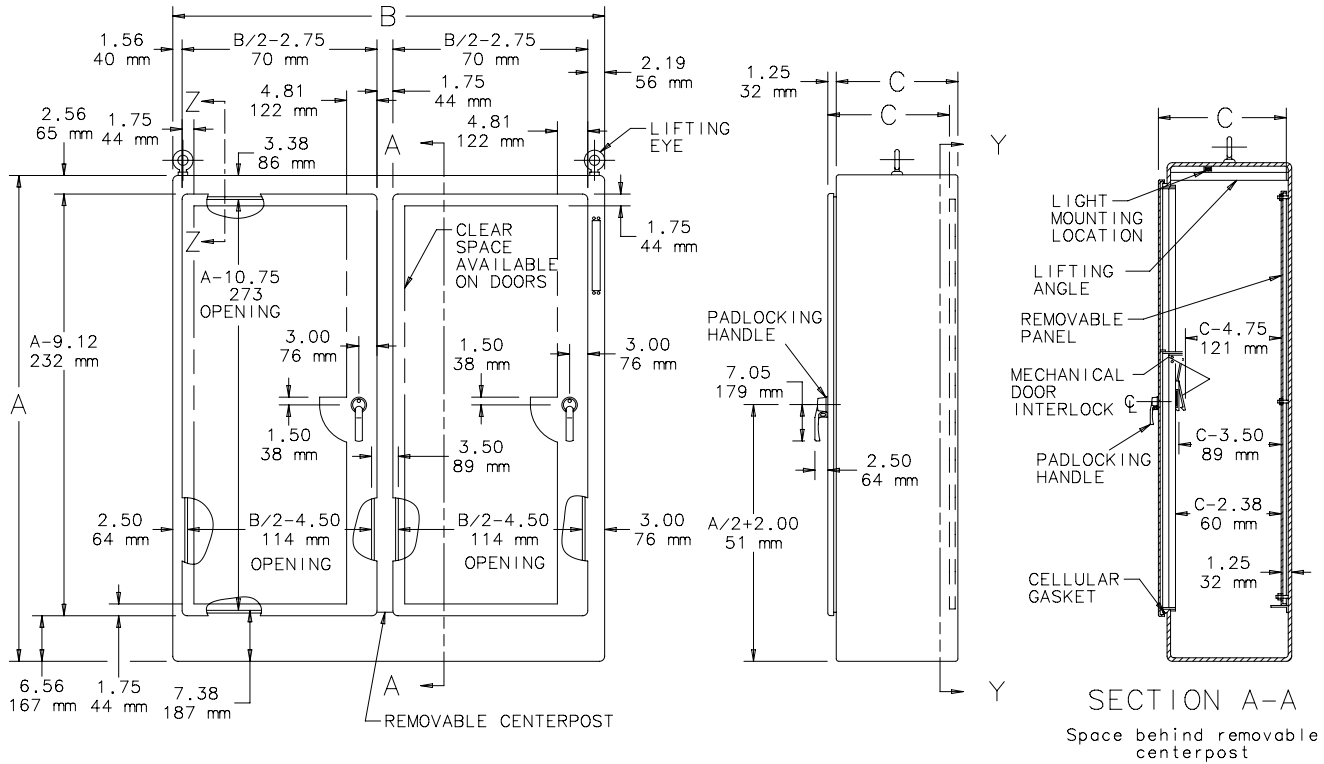
Blank Adapter Plates, Mild Steel
 Blower Fan Package
 Floor Stand Kit
 Operator Adapters for Universal Cutouts
 Panels for Type 3R, 4, 4X, 12 and 13 Enclosures

MODIFICATION AND CUSTOMIZATION

Hoffman excels at modifying and customizing products to your specifications. Contact your local Hoffman sales office or distributor for complete information.

BULLETIN: A28M1, A28M2, A28MM

Two-Door Enclosure



- Note:
1. .121-in. steel panel is furnished with FTC enclosures. FTCLP models are less panel; panels can be purchased separately. See catalog number table for size.
 2. Right door is master door. All doors hinged on left include a removable 12.00 x 12.00 in. (305 x 305 mm) data postcct.
 3. Number of panel mounting studs varies with panel width.