

**LED 12VDC MAGNETIC DIMMABLE
50W POWER SUPPLY**
by
GM Lighting

Project: _____
Type: _____
Location: _____
Contact Phone: _____

PRODUCT DESCRIPTION

Smallest dimmable Class II hardwire LED dimming magnetic power supply on the market that works with conventional low voltage magnetic wall mount dimmer with on/off switch. No minimum load (can be fully loaded). Auto reset thermal circuit breaker on the secondary side.

PRODUCT SPECIFICATIONS

Construction: Transformer is encapsulated in all metal construction enclosure. Enclosure temperature should not exceed 70°C (158°F) @ 40°C (104°F) ambient. Wiring compartment has 2 knockouts. Removable cover for wiring compartment is secured in place by screw. Black powder coated.

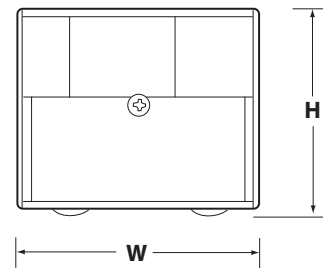
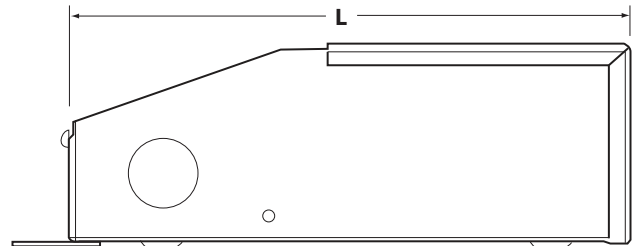
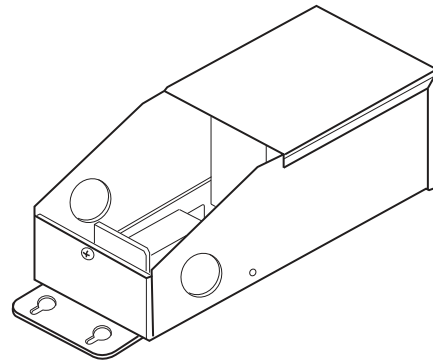
Electrical: Thermal class B-130C. Input leads are 20 AWG. Output leads are 16 AWG. Lead insulation rated to 105°C (221°F). Transformer utilizes a class B 130°C (266°F) insulation system. Maximum load is 50W. Coil former is double section bobbin. Auto reset.

Dimming: Works with low-voltage magnetic wall dimmer with on/off switch.

Mounting: Surface mount with front mounting tab.

Warranty: 4 years.

Label: ETL listed for indoor and outdoor use.



Catalog Number	Max. Wattage	Input Voltage	Output Voltage	Input Current	Open Circuit	Output Current	Weight	Dimensions		
								L	W	H
LTHM50-DIM	50W	120V/60Hz	12VDC	410mA	12.5V	4A	3.3 lb.	6.06"	2.59"	2.33"

For voltage drop - see www.gmlighting.net/voltagedrop.html or consult GM Lighting Product catalog, page 19.



GM Lighting, LLC • 9830 W. 190th St. • Unit F • Mokena, IL 60448
Toll-Free: (866) 671-0811 FAX: (708) 478-2640 • www.gmlighting.net
e-mail: gmlightingllc@sbcglobal.net • Specifications subject to change without notice.
LTHM50-DIM_020412