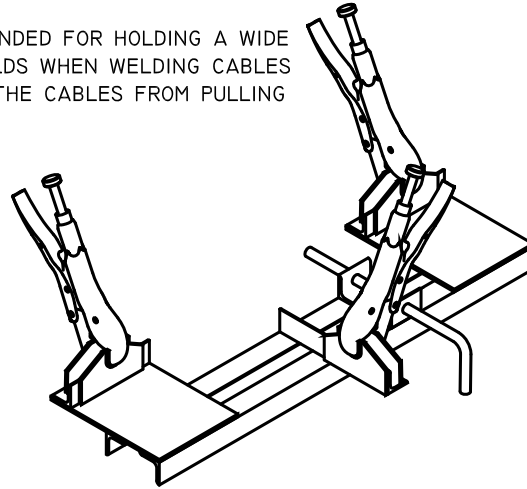


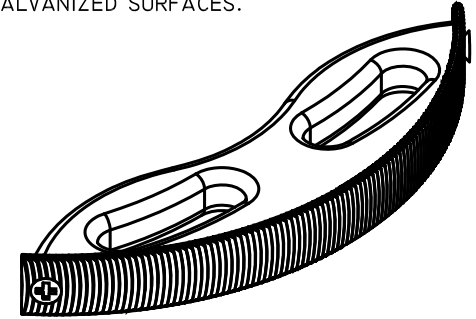
38-0330-00 CABLE CLAMP

THE THERMOWELD CABLE CLAMP IS RECOMMENDED FOR HOLDING A WIDE RANGE OF CABLES PROPERLY IN PLACE IN MOLDS WHEN WELDING CABLES THAT ARE UNDER TENSION. THIS PREVENTS THE CABLES FROM PULLING OUT OF THE MOLD WHEN THE WELD IS MADE.



38-0101-00 RASP

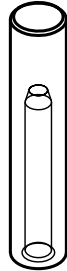
THIS TEMPERED STEEL, CURVED RASP IS RECOMMENDED FOR REMOVING RUST AND MILL SCALE FROM STEEL AND CAST IRON SURFACES. THE BLADE IS REPLACEABLE. SPECIFY PART # 38-0101-01. NOT RECOMMENDED FOR USE ON GALVANIZED SURFACES.



GROUND ROD DRIVING SLEEVES

GROUND ROD DRIVING SLEEVES ARE PLACED OVER THE TOP OF A GROUND ROD WHILE DRIVING IT INTO THE GROUND. THIS PREVENTS THE TOP FROM MUSHROOMING OR FLARING OUT. GROUND ROD DRIVING SLEEVES COME IN SIZES TO FIT ALL STANDARD UNTHREADED GROUND RODS.

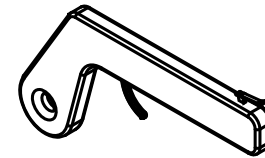
PART #	GROUND ROD SIZE
38-3662-01	1/2" COPPER CLAD OR STEEL GROUND ROD
38-3662-02	5/8" COPPER CLAD GROUND ROD
38-3662-05	5/8" STEEL GROUND ROD
38-3662-03	3/4" COPPER CLAD GROUND ROD
38-3662-06	3/4" STEEL GROUND ROD
38-3662-04	1" COPPER CLAD GROUND ROD
38-3662-07	1" STEEL GROUND ROD



38-0309-00 FLINT IGNITOR

THE 38-0309-00 FLINT IGNITOR IS USED TO IGNITE THE STARTING POWDER. EACH MOLD THAT IS SOLD WITH A FRAME HAS A FLINT IGNITOR INCLUDED.

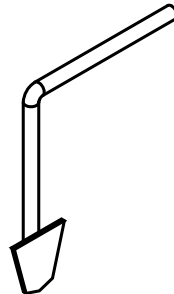
REPLACEMENT FLINTS ARE AVAILABLE UPON REQUEST. PART #38-0309-01.



MOLD CLEANERS

MOLD CLEANERS ARE USED TO CLEAN THE SLAG FROM MOLDS THAT ARE NOT SPLIT THROUGH THE CRUCIBLE.

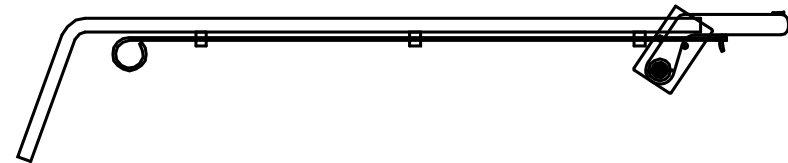
PART #	CARTRIDGE SIZES
40-0319-01	USED FOR #15 THRU #65
40-0319-03	USED FOR #90 THRU #500



38-0904-00 EXTENDED FLINT IGNITOR

THE 38-0904-00 EXTENDED FLINT IGNITOR ALLOWS THE INSTALLER TO STAND 36" FROM THE MOLD.

REPLACEMENT FLINTS ARE AVAILABLE UPON REQUEST. PART #38-0309-01.



REV	ECN	DATE	INIT	UNLESS OTHERWISE SPECIFIED DIMENSIONS ARE IN INCHES	SIGNATURES	DATE	THERMOWELD TULSA, OKLAHOMA	
A	2191	03/03/08	BAM	TOLERANCES UNLESS SPECIFIED ANGULAR ±2 1/2° FRACTIONS ±1/64" DECIMALS ±.005" THIRD ANGLE PROJECTION	B. MCKASKLE APPROVED BY: <i>[Signature]</i>	10/25/08 3/10/08	ACCESSORIES	
BREAK ALL SHARP CORNERS AND REMOVE ALL BURRS. FINISH TO ALL OVER EXCEPT AS NOTED. DO NOT SCALE DRAWING.				MATERIAL:		ANY CHANGES MADE TO THIS PRINT MUST ALSO BE SHOWN ON PRINT(S):		PART NUMBER
				R.M.#		SCALE: N.T.S.	RELEASE INFORMATION: STEEL <input type="checkbox"/> PLASTIC <input type="checkbox"/>	CD-660