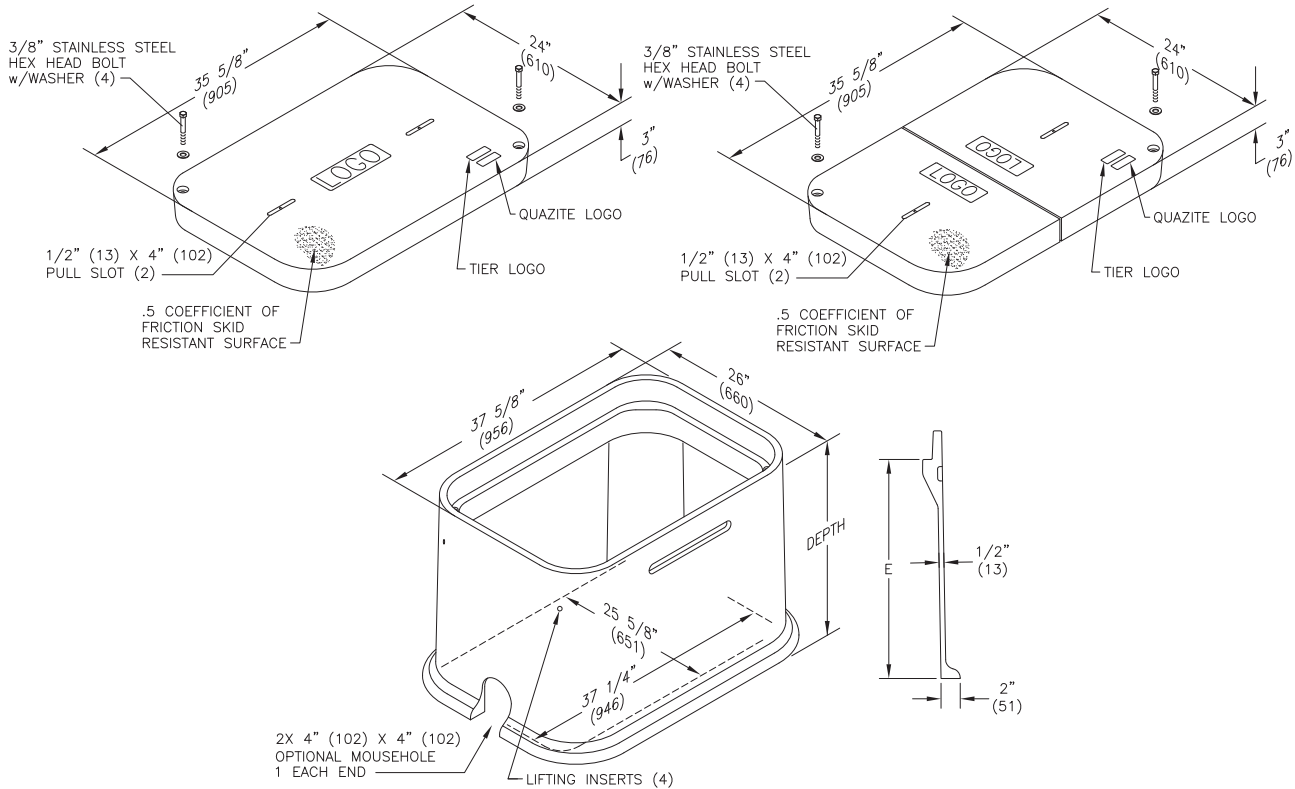


Dimensions / Data

24" x 36" PD Style Polymer Concrete (Stackable) Assembly

Hex Head Bolts are Standard



Covers

	DESCRIPTION	TIER	DESIGN / TEST LOAD #	WEIGHT #	PALLET QTY	PART NO.
UL	W/ 2 Bolts	8	8,000 / 12,000	100	10	PG2436CA00**
	2 piece w/2 Bolts	8	8,000 / 12,000	122	10	PG2436CS00**
UL	W/ 2 Bolts	15	15,000 / 22,500	115	10	PG2436HA00**
UL	2 piece w/2 Bolts	15	15,000 / 22,500	122	10	PG2436HS00**
UL	W/ 2 Bolts	22	22,500 / 33,750	122	10	PG2436HH00**
UL	No Bolts	8	8,000 / 12,000	100	10	PG2436WA00**

To order gasketed covers, replace the letter "A" with the letter "G".

Replace ** with a logo code found on page 18.

NOTE: Gasketed covers and bolt grommets must be used with a gasketed box. Gaskets reduce the inflow of fluids but do not make the enclosure water tight.

Boxes

	DESCRIPTION	DEPTH	TIER	DESIGN / TEST LOAD #	WEIGHT #	PALLET QTY	PART NO.
UL	Standard Open Bottom	18"	22	22,500 / 33,750	159	2	PD2436BA18
UL		26"	22	22,500 / 33,750	199	2	PD2436BA26
		48"	22	22,500 / 33,750	313	1	PD2436BA48

To order boxes with 2 standard mouseholes, replace the letter "A" with the letter "B".

To order gasketed boxes, replace the letter "A" with the letter "G".

NOTE: Gasketed covers and bolt grommets must be used with a gasketed box. Gaskets reduce the inflow of fluids but do not make the enclosure water tight.



Most commonly used cover logos are shown below.
 Custom Logos are available. Contact your Quazite/Hubbell Representative.

PENCELL COVER OPTIONS

LOGOS

PENCELL LOGO CODES	DESCRIPTION
009	BLANK
010	CATV
012	COMMUNICATIONS
014	CONTROLS
017	ELECTRIC
021	FIBER OPTICS
022	FIRE ALARM
023	GAS
024	GROUND
026	HIGH VOLTAGE
029	LIGHTING
036	SECURITY
038	SIGNAL
040	STATE TRAFFIC SIGNAL
041	STREET LIGHTING
042	TELECOM
043	TELEPHONE
044	TRAFFIC
045	TRAFFIC CONTROL
046	TRAFFIC SIGNAL
048	TV
050	WATER
057	EMERGENCY
065	ILLUMINATION
081	DANGER HIGH VOLTAGE
084	POWER
092	TELECOMMUNICATIONS
03A	DOT
06B	INSTRUMENTATION
0ZA	IRRIGATION
K91	RECLAIMED WATER
KH1	FIBEROPTIC
5P3	ELECTRIC WARNING DO NOT OPEN

PENCELL

