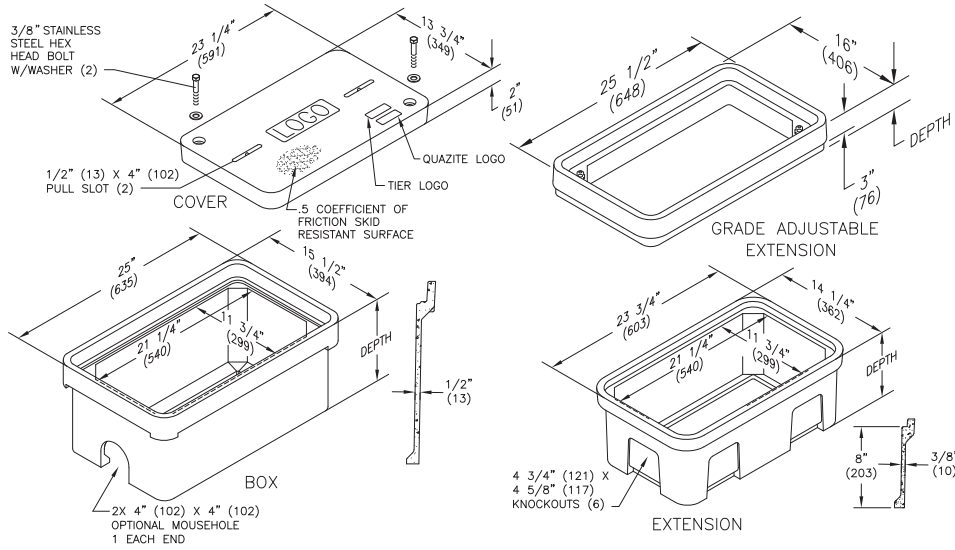


# Dimensions / Data

## 13" x 24" PG Style Polymer Concrete (Stackable) Assembly

**Hex Head Bolts are Standard**



### Covers

DESCRIPTION	TIER	DESIGN / TEST LOAD #	WEIGHT #	PALLET QTY	PART NO.
W/ 2 Bolts	8	8,000 / 12,000	33	30	PG1324CA00**
W/ 2 Bolts	15	15,000 / 22,500	51	30	PG1324HA00**
W/ 2 Bolts	22	22,500 / 33,750	54	30	PG1324HH00**
No Bolts	8	8,000 / 12,000	33	30	PG1324WA00**

To order gasketed covers, replace the letter "A" with the letter "G".

Replace \*\* with a logo code found on page 18.

NOTE: Gasketed covers and bolt grommets must be used with a gasketed box. Gaskets reduce the inflow of fluids but do not make the enclosure water tight.

### Boxes

DESCRIPTION	DEPTH	TIER	DESIGN / TEST LOAD #	WEIGHT #	PALLET QTY	PART NO.
Standard Open Bottom	12"	22	22,500 / 33,700	53	20	PG1324BA12
	18"		22,500 / 33,700	72	16	PG1324BA18
	24"		22,500 / 33,700	91	12	PG1324BA24
Solid Bottom	12 1/2"	22	22,500 / 33,700	63	20	PG1324DA12
	18 1/2"		22,500 / 33,700	85	16	PG1324DA18
	24 1/2"		22,500 / 33,700	107	12	PG1324DA24

To order boxes with 2 standard mouseholes, replace the letter "A" with the letter "B".

To order gasketed boxes, replace the letter "A" with the letter "G".

### Extensions (for use under box only, one per box)

DESCRIPTION	DEPTH	TIER	DESIGN / TEST LOAD #	WEIGHT #	PALLET QTY	PART NO.
8" - Open Bottom	8 3/4"	22	22,500 / 33,750	25	24	PG1324EA08
8" - Solid Bottom	9 1/4"	22	22,500 / 33,750	35	24	PG1324RA08

### Grade Adjustable Extension (for use on top of box only, one per box)

DESCRIPTION	DEPTH	TIER	DESIGN / TEST LOAD #	WEIGHT #	PALLET QTY	PART NO.
3" Top Extension	5 1/8"	22	22,500 / 33,750	37	24	PG1324ED03

QUAZITE



Most commonly used cover logos are shown below.  
 Custom Logos are available. Contact your Quazite/Hubbell Representative.

## PENCELL COVER OPTIONS

### LOGOS

PENCELL LOGO CODES	DESCRIPTION
009	BLANK
010	CATV
012	COMMUNICATIONS
014	CONTROLS
017	ELECTRIC
021	FIBER OPTICS
022	FIRE ALARM
023	GAS
024	GROUND
026	HIGH VOLTAGE
029	LIGHTING
036	SECURITY
038	SIGNAL
040	STATE TRAFFIC SIGNAL
041	STREET LIGHTING
042	TELECOM
043	TELEPHONE
044	TRAFFIC
045	TRAFFIC CONTROL
046	TRAFFIC SIGNAL
048	TV
050	WATER
057	EMERGENCY
065	ILLUMINATION
081	DANGER HIGH VOLTAGE
084	POWER
092	TELECOMMUNICATIONS
03A	DOT
06B	INSTRUMENTATION
0ZA	IRRIGATION
K91	RECLAIMED WATER
KH1	FIBEROPTIC
5P3	ELECTRIC WARNING DO NOT OPEN

PENCELL

