

FEATURES

- Contemporary, low-profile, streamlined, die-cast aluminum housing
- Utilizes a long lasting, energy efficient, ultra-bright white 11w, 5000K CCT LED
- 1080 lumen output in AC mode; 260 lumen output in emergency mode
- Switchable AC operation for use as dusk to dawn with photocontrol option or use of a normally open switch
- External LED status indicator and test button
- Guardian Self-Test/Self-Diagnostics (G2) standard
- Mirrored reflector for enhanced light output
- UL 94-5VA flame retardant polycarbonate components
- UV stabilized, vandal resistant, polycarbonate lens
- Suitable for wet or damp location
- A 1/2 inch NPT threaded conduit opening is provided at the top of the enclosure and sealed with a closure plug
- Optional cold weather package (-20°C to 50°C)
- Quick connect mounting back plate
- Low voltage disconnect eliminates deep discharge
- Maintenance-free NiCad battery
- UL listed 90 minute emergency run time, 24 hour recharge time
- Standard finish: Bronze, Silver, White, Black
- 120/277V dual primary, 60Hz input

Model: _____ Date: _____
 Accessories: _____
 Job Name: _____ Type: _____



WARRANTY

Any component that fails due to manufacturers defect is guaranteed for 3 years with a separate 2 year pro-rated warranty on the battery. The warranty does not cover physical damage, abuse or instances of uncontrollable natural forces. See the full Exitronix warranty document for detailed information.



ORDERING INFORMATION Example: TRL-ACEM-BR-CL

Series	Product Category	Finish	Options (Factory Installed)
TRL	ACEM = Normally on with Emergency Lighting	BR = Dark Bronze SA = Silver WH = White BL = Black	CL = Cold Location Package

EMERGENCY LIGHTING ONLY MODELS (Available While Supplies Last)

Model	Description
TRL-EM-BR	Indoor/Outdoor Architectural Die Cast LED Emergency Light, Self Test/Self-Diagnostics, Dark Bronze Finish
TRL-EM-SA-CL	Indoor/Outdoor Architectural Die Cast LED Emergency Light, Self Test/Self-Diagnostics, Listed From 0°C - 50°C, Satin Aluminum Finish

CONSTRUCTION

Our Triton LED series offers a decorative, low-profile, architectural design with die-cast aluminum housing and durable powder coat finishes in white, silver and dark bronze. The Triton LED series can be switched on and off by the integrated photocontrol or by a normally open switch while maintaining UL 924 compliance. The unit features a fully sealed and gasketed enclosure for damp and wet location applications.

ILLUMINATION

Units come standard with a single 11 watt high performance LED featuring 1080 lumens in AC mode and 260 lumens in emergency back up mode, 5000K CCT and a CRI of 70. Features a UV stable mirror-bright reflector and prismatic polycarbonate refractor for ideal light output.

ELECTRICAL

Input

Dual-voltage input 120 or 277VAC @ 60Hz.

Nickel Cadmium Battery - NiCad (With Battery Only)

Exitronix NiCad batteries are maintenance-free with a life expectancy of 15 years. NiCad batteries offer high discharge rates and continue to perform in a vast temperature range from 32°F to 104°F (0°C to 40°C).

Emergency

The Triton LED will operate for a minimum of 90 minutes during a loss of power with a 24 hour maximum recharge time for the battery.

Low Voltage Disconnect

Low Voltage Disconnect (LVD) measures the battery terminal voltage. The LVD continuously monitors the battery terminal voltage and if it should fall below a preset voltage threshold, the LVD will disconnect the load. When the battery is recharging and voltage is raised above another preset voltage threshold, the load is automatically reconnected.

Test Button

The test button is easy to locate and provides manual verification of the transfer circuit and emergency lamps.

INSTALLATION

Universal J-box mounting pattern or surface wiring thru the top conduit power feed make installation quick and easy.

Wet Location Rated (Standard)

Wet location rated fixture that allows water or other liquids to drip, splash or flow on or against. The construction prevents the accumulation of water on live parts.

Guardian Self-Test/Self-Diagnostics

The Guardian provides self-testing and self-diagnostic capabilities to the unit equipment.

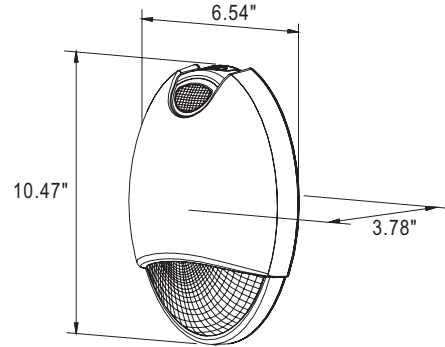
At predetermined intervals, the unit equipment will automatically switch into battery mode. The unit equipment will also perform various self-diagnostic tests of the unit. Visual signaling will alert maintenance personnel to a fault of the unit equipment electronics, emergency lamp(s), battery and/or battery charger. The circuitry continuously monitors the operating condition of the unit equipment and battery charging circuit/battery supply voltage.

The unit equipment will automatically switch to battery mode every 28 days for a period of 1 minute. The unit equipment will automatically switch to battery mode every 6 months for a period of 30 minutes.

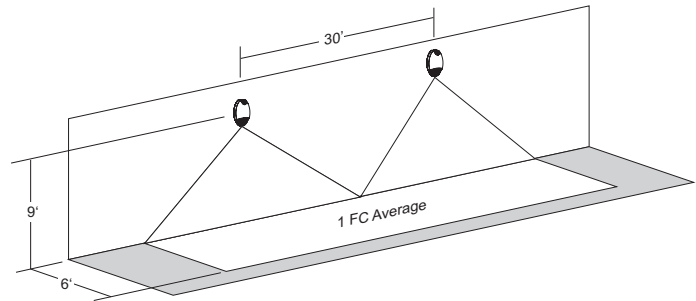
CONFORMANCE TO CODES & STANDARDS

The Triton LED Series is UL listed and meets or exceeds the following: UL 924, NEC requirements and NFPA 101.

DIMENSIONS



SPACING GUIDE (AC MODE)



NOTE:

Minimum luminance of 0.1 FC and average luminance of 1.0 FC. Illustration shown is a guideline for center-to-center with 9 ft mounting height.