

MULTI-ROOM AUDIO

5000 Series Speakers

HT5650 6.5" In-Ceiling Speaker



HT5650

IN-CEILING SPEAKER

Optimized for the demands of home theater sound, the 5000 Series In-Ceiling Speaker features poly woofers for high power handling and premium sound quality. It mounts in the ceiling for a clean, seamless installation.

| PART NO. | DESCRIPTION |
|----------|-----------------------|
| HT5800 | 8" In-Ceiling Speaker |

HT5651 6.5" In-Wall Speaker



HT5651

IN-WALL SPEAKER

Featuring moisture-resistant UFLC tweeters to produce smooth frequency response and excellent sound quality, the 5000 Series In-Wall Speaker is a premium addition to any home theater system. It also includes foam gaskets to minimize vibration and provide an air-tight seal.

| PART NO. | DESCRIPTION |
|----------|--------------------|
| HT5801 | 8" In-Wall Speaker |

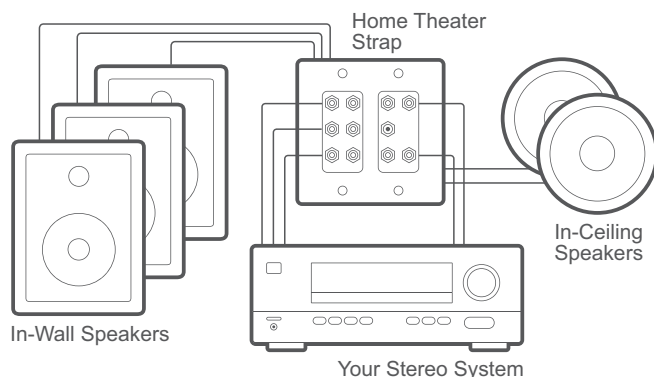
HT5655 Angled 6.5" In-Ceiling Speaker



HT5655

ANGLED IN-CEILING SPEAKER

The 5000 Series Angled Speaker is optimized for home theater use and is designed specifically to perform in rooms of unusual shape or size. The adjustable speaker features angled drivers. It flush-mounts into the ceiling for a clean, seamless installation, and features an eight inch speaker frame to minimize sound deflection, resulting in optimal home theater sound.



Installation at-a-glance

1. Cut three In-Wall speaker mounting holes to the left of, to the right of and centered above the entertainment center.
2. Cut two In-Ceiling speaker mounting holes behind and to the left and right of the listening area.
3. Run 16/2 speaker wire from each speaker hole location to a two-gang box behind the entertainment center.
4. Install the speakers in the appropriate mounting holes and install the Home Theater Strap in the two-gang box after attaching all the 16/2 wires from each speaker.
5. Connect the audio equipment to the Home Theater Strap with 16/2 speaker wire connected to the audio equipment's speaker terminal outputs.



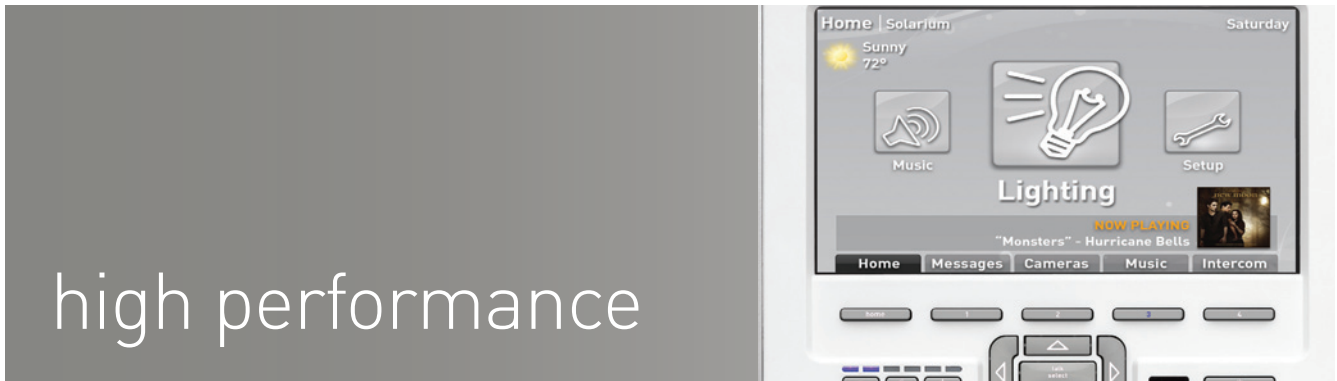
SPEAKERS

| 5000 Series | | | 3000 Series | | | | | | 1000 Series | |
|-------------|----------------|----------------|-----------------|---------------|----------------|----------------|-----------------|---------------|-----------------|----------------|
| 8" | 6.5" | 8" In-Wall | 6.5" In-Ceiling | 8" In-Ceiling | 6.5" In-Wall | 8" In-Wall | 6.5" Dual Voice | 5.25" Outdoor | 6.5" In-Ceiling | 6.5" In-Wall |
| | | | | | | | | | | |
| HT5800 | HT5651 | HT5801 | MS3650 | MS3800 | MS3651 | MS3801 | MS3652 | MS3523 | 364764-02-V1 | 364765-02-V1 |
| Each | Each | Each | Pair | Pair | Pair | Pair | Each | Pair | Pair | Pair |
| Yes | Yes | Yes | Yes | Yes | Yes | Yes | Yes | Yes | Yes | Yes |
| 90 db | 90 db | 90 db | 91 db | 91 db | 91 db | 91 db | 91 db | 90 db | 90 db | 90 db |
| 100 W | 75 W | 100 W | 50 W | 75 W | 50 W | 75 W | 50 W | 50 W | 50 W | 50 W |
| 200 W | 150 W | 200 W | 100 W | 150 W | 100 W | 150 W | 100 W | 100 W | 100 W | 100 W |
| 50-20 K | 60-20 K | 50-20 K | 60-20 K | 50-20 K | 60-20 K | 50-20 K | 60-20 K | 65-20 K | 60-20 K | 60-20 K |
| Poly | Poly | Poly | Mica Fiber | Mica Fiber | Mica Fiber | Mica Fiber | Mica Fiber | Poly | Poly | Poly |
| | 1" UFLC Dome | 1" UFLC Dome | 1" UFLC Dome | 1" PEI Mylar | 1" PEI Mylar | 1" PEI Mylar | 1" PEI Mylar | 1" PEI Mylar | 1" PEI Mylar | Mylar |
| 364673-02 | 364674-02 | 364675-02 | 364672-02 | 364673-02 | 364674-02 | 364675-02 | 364672-02 | N/A | 364672-02 | 364674-02 |
| 9.5" dia. | 7.5" x 10.75" | 8.75" x 12.75" | 7.75" dia. | 9.5" dia. | 7.5" x 10.75" | 8.75" x 12.75" | 7.75" dia. | N/A | 7.75" dia. | 7.5" x 10.75" |
| 10.9" dia. | 9.02" x 12.31" | 10" x 14.25" | 9" dia. | 10.9" dia. | 9.02" x 12.31" | 10" x 14.25" | 9" dia. | 6.3" x 9.45" | 9" dia. | 9.02" x 12.31" |
| 3.65" | 3.16" | 3.65" | 3.29" | 3.65" | 3.16" | 3.65" | 3.29" | 6.61" | 3.5" | 3.5" |



UNITY HOME SYSTEM

Bill Of Materials



Amp up the Unity Home System with four rooms of high-performance audio, a full Selective Call Intercom system, full RF Lighting Control, four cameras, and two versatile viewing options.

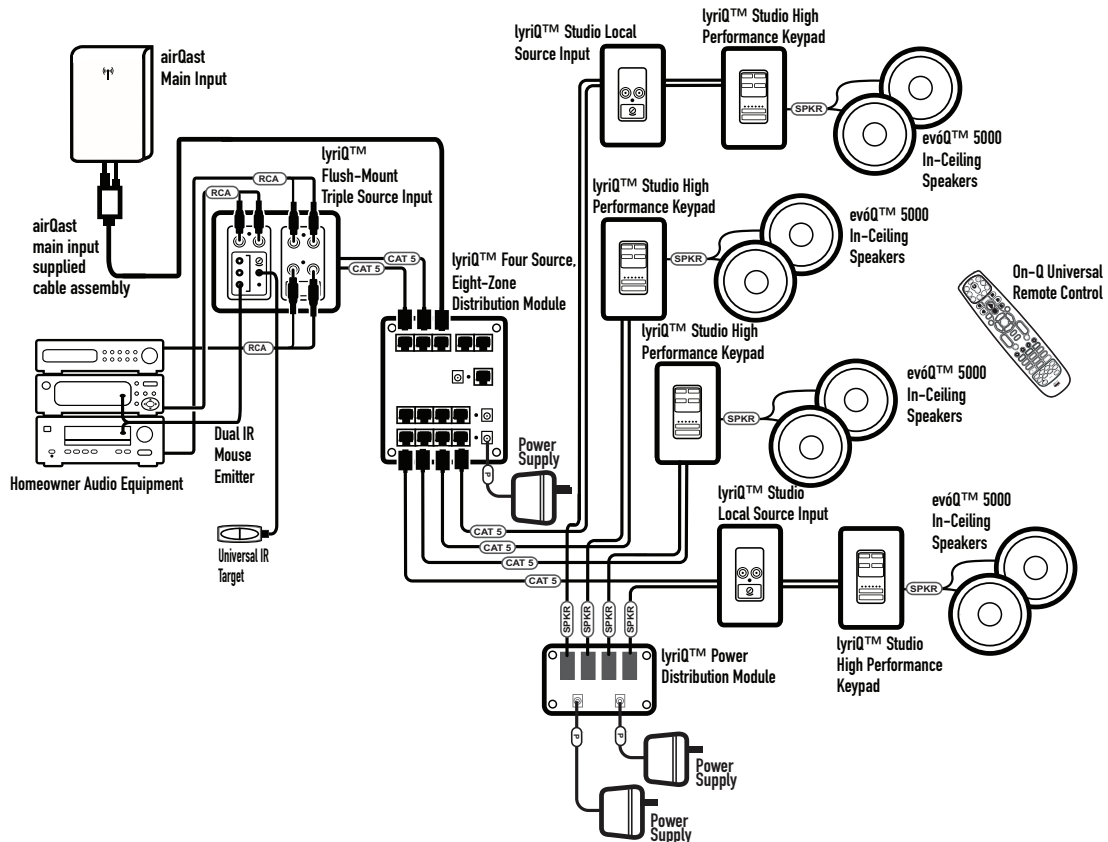
| PRODUCT | PART # | QUANTITY | PAGE |
|---|-----------|----------|------|
| Integration Module | HA6001 | 1 | 80 |
| LCD Console with High-Performance lyriQ | HA5010-WH | 1 | 84 |
| Ball Camera | CM5002-WH | 1 | 152 |
| TV Display Interface | HA5201-WH | 1 | 154 |
| lyriQ Local Source Input in Studio Design | AU5008-WH | 3 | 99 |
| lyriQ High-Performance Keypad in Studio Design | AU5010-WH | 3 | 100 |
| 6.5" 5000 Series In-Ceiling Speaker | HT5650 | 8 | 117 |
| lyriQ Four-Source, Eight-Zone Distribution Module | AU1002 | 1 | 80 |
| lyriQ High-Performance Power Module | AU1001 | 1 | 28 |
| lyriQ Flush Mount Single-Source Input | AU1004-WH | 1 | 99 |
| lyriQ Flush-Mount Triple Source Input | AU1011-WH | 1 | 99 |
| 4-Port Ethernet Router/Switch | DA1004 | 1 | 53 |
| Selective Call Video Door Unit | IC5003-AB | 1 | 139 |
| Selective Call Room Unit | IC5000-WH | 3 | 139 |
| In-Wall Universal Dimmer | DRD4-W | 4 | 156 |
| In-Wall Whole House Scene Controller | DRD5-W | 1 | 157 |
| 1-Gang Studio Wallplate | WP5001 | 5 | 26 |
| Plug-in Lamp Module | MRP6-W | 1 | 159 |
| Unity RS232 Lighting Interface | LC2354 | 3 | 81 |
| 24 V, 240 W Power Supply Kit | PW1240 | 1 | 30 |
| Power Supply for Router | PW7760 | 1 | 30 |

ULTIMATE MUSIC SOLUTION

Bill Of Materials

Crank up the volume with this high performance audio solution. This solution lets homeowners entertain throughout the house without missing a single riff of their favorite audio.

| PRODUCT | PART # | QUANTITY | PAGE |
|--|-----------|----------|------|
| lyriQ High-Performance Keypad in Studio Design | AU5010-XX | 4 | 100 |
| lyriQ High-Performance Power Module | AU1001 | 1 | 28 |
| lyriQ Flush-Mount Single Source Input | AU1004-XX | 1 | 99 |
| lyriQ Flush-Mount Triple Source Input | AU1011-XX | 1 | 99 |
| lyriQ Four-Source, Eight-Zone Distribution Module | AU1002 | 1 | 111 |
| lyriQ Local Source Input in Studio Design | AU5008-XX | 2 | 99 |
| Home Systems Remote Control | AU1060 | 1 | 101 |
| Dual IR Mouse Emitter | F7425 | 2 | 101 |
| 24 V, 2.5 Amp Power Supply | PW1060 | 3 | 30 |
| 5000 Series 6.5" In-Ceiling Speaker | HT5650 | 8 | 117 |
| 6.5" In-Ceiling Pre-Construction Speaker Bracket (2) | 364672-02 | 4 | 121 |
| Universal IR Target | AC1016 | 1 | 114 |
| lyriQ airQast Main Source | AU1015 | 1 | 55 |
| 2-Gang Studio Wall Plate | WP5002-XX | 1 | 26 |



BASIC HOME THEATER SOLUTION

Bill Of Materials

Both high performance and affordable, this basic solution includes five speakers and a subwoofer for a true home theater implementation.

| PRODUCT | PART # | QUANTITY | PAGE |
|---|-----------|----------|------|
| Home Theater Strap | F9004-XX | 1 | 113 |
| 5000 Series 6.5" Angled In-Ceiling Speaker | HT5655 | 3 | 117 |
| 8" In-Ceiling Pre-Construction Speaker Bracket (Pair)* | 364673-02 | 2 | 121 |
| 5000 Series 6.5" In-Ceiling Speaker | HT5650 | 2 | 117 |
| 6.5" In-Ceiling Pre-Construction Speaker Bracket (Pair) | 364672-02 | 1 | 121 |
| 5000 Series 10" Subwoofer | HT5104 | 1 | 116 |
| 1-Gang, 1-Port Wall Plate | WP3401-XX | 1 | 17 |
| Purple RCA to F Connector | WP3466-XX | 1 | 24 |

* 6.5 Angled In-Ceiling Speakers should be mounted in 8" In-Ceiling Brackets.

