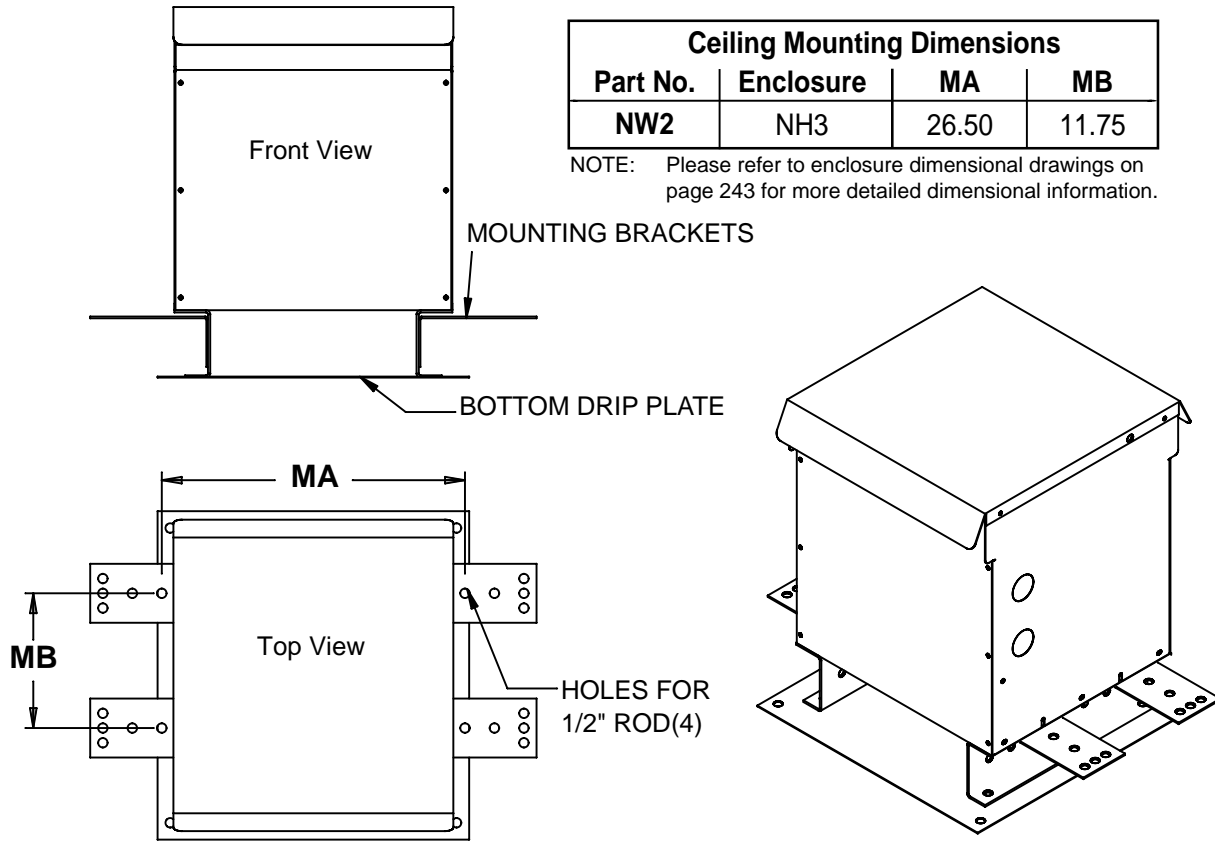


# GENERAL INFORMATION

## ACCESSORIES (for transformers listed in sections 3, 4, 7, 8, 9 and 10)

### NW2 CEILING MOUNT - MOUNTING DIMENSIONS



Ceiling Mounting Dimensions			
Part No.	Enclosure	MA	MB
NW2	NH3	26.50	11.75

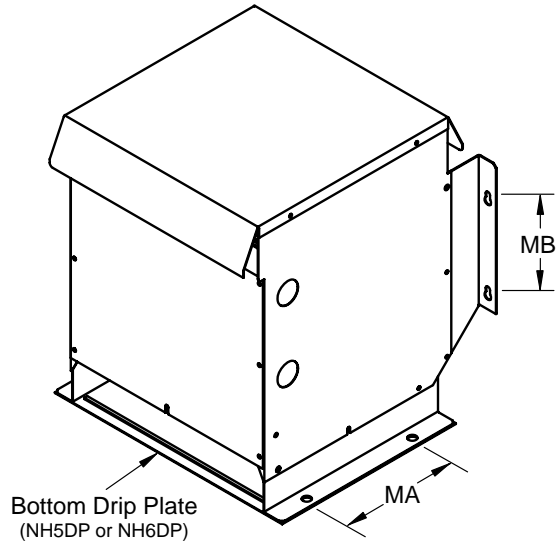
NOTE: Please refer to enclosure dimensional drawings on page 243 for more detailed dimensional information.

### NH5DP & NH6DP WALL/CEILING MOUNTING KITS

The NH5 and NH6 enclosures are designed with integral wall mounting capabilities. However, when you wall mount them you must also install the bottom drip plate as shown below. The "MB" dimensions listed in the table below indicate the location for the wall mounting hardware.

For ceiling mounting of the NH5 and NH6, refer to the "MA" dimensions listed in the table below and hang the enclosure using appropriate sized ceiling hanger rods. However, you must be sure to install the bottom drip plate to the bottom of the enclosure, then bring the hanger rod down through both the enclosure bottom mounting holes and through the drip plate mounting holes and install mounting hardware.

**NOTE: Do not ceiling mount either the NH5 or NH6 enclosures without installing the bottom drip plate.** All mounting hardware should be rated Grade 8 or higher.



Mounting Kit P/N	Enclosure Style	MA Dimension	MB Dimension
NH5DP	NH5	9.00	7.00
NH6DP	NH6	9.00	8.00

NOTE: Please refer to enclosure dimensional drawings on page 243 for more detailed dimensional information.

GENERAL  
INFORMATION

