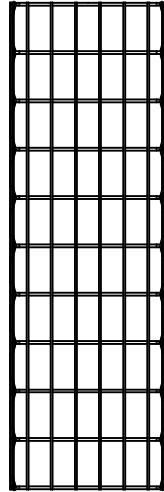


CF 150 CABLOFIL CABLE TRAY

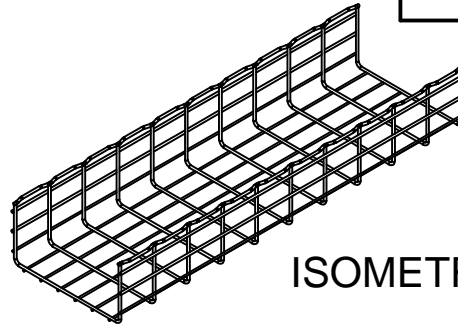
CABLOFIL®

INNOVATORS IN CABLE MANAGEMENT

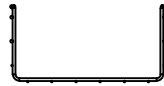
8319 State Route 4
 Mascoutah IL 62258
 Phone: 800-658-4641
 618-566-3230
 Fax: 618-566-3250
www.cablofil.com



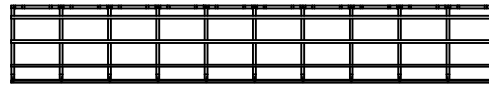
TOP



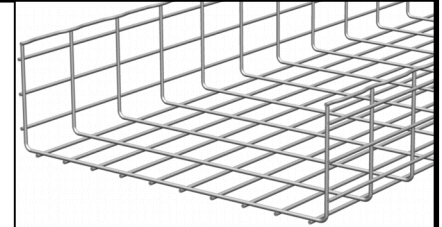
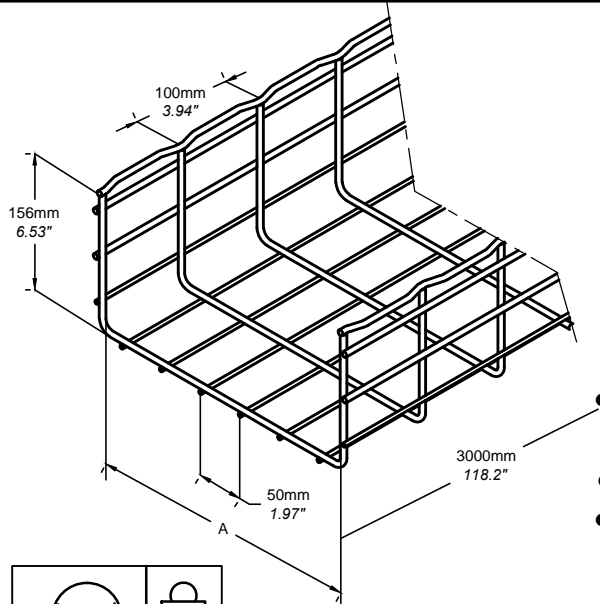
ISOMETRIC



FRONT



SIDE



- Tray designed per NEMA VE-1, CSA C22.2 No. 126
- CF has top wave style wire (shown)
- ZF has straight top wire

	in mm		lb
ZF* & CF150 150	5.91	150	18.9
ZF* & CF150 200	7.87	200	21.8
ZF* & CF150 300	11.81	300	24.4
ZF* & CF150 400	15.75	400	25.8
ZF* & CF150 450	17.71	450	26.5
ZF* & CF150 500	19.68	500	27.8
ZF150 550*	21.65	550	28.7
ZF150 600*	23.62	600	29.5
ZF150 750*	29.53	750	35.6
ZF150 900*	35.43	900	42.3



* TOP WIRE IS STRAIGHT TYPE

BL	PE	316L
EZ	GC	304L

	Material	Finish
EZ	Carbon Steel ASTM A510 Grade 1008	Electroplated Zinc, ASTM B633
GC	Carbon Steel ASTM A510 Grade 1008	Hot-Dip Galvanized ASTM A123
BL	Carbon Steel ASTM A510 Grade 1008	Black Painted ASTM D 3451
PE	Carbon Steel ASTM A510 Grade 1008	Custom Painted ASTM D 3451
304L	AISI TYPE 304L	Passivated ASTM A 380
316L	AISI TYPE 316L	Passivated ASTM A 380