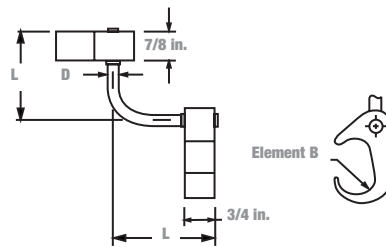
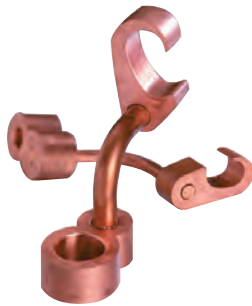


Figure 6 to 8, Figure 6 to 6

Figure 6 to 8 Compression Ground Rod to Grid Connectors

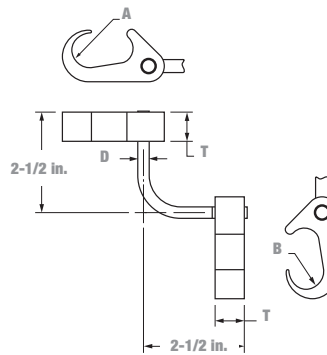
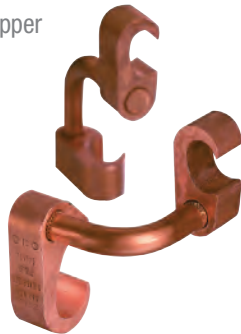


Cat. No.	A in. (mm) Ground Rod	B Cable Range	Dimensions in. (mm)		Dies for TBM14M, 13100A or TBM15I	
			D	L	Element A	Element B
54855LR12*	1/2 (12.7)	2 AWG–250 kcmil	0.31 (7.8)	2.50 (63.5)	15G121R	15G86R
54885LR12*		250 kcmil–500 kcmil				15G126R
54865LR58*	2 AWG–250 kcmil	15G86R				
54895LR58*	250 kcmil–500 kcmil	15G126R				
54875LR34*	3/4 (19.1)	2 AWG–250 kcmil	0.50 (12.7)	2.63 (66.8)		15G86R
54900LR34*		250 kcmil–500 kcmil				15G126R
54910LR100	1 (25.4)	2 AWG–250 kcmil				15G86R
54920LR100		250 kcmil–500 kcmil				15G126R

*Tin-plated version available for galvanized ground rods. Add suffix -TP to Cat. No.

Figure 6 to 6 Compression Ground Grid Connectors

- Material: High-conductivity copper
- Acceptable for direct burial



Cat. No.	A Cable Range	B to Cable Range	B to Ground Rod	B to Rebar	D (in.)	T (in.)	Dies for T&B Tool*			
							A	B		
54900L	250 kcmil–500 kcmil	250 kcmil–500 kcmil	5/8 in.–3/4 in. rod	#5–#6 (5/8 in.–3/4 in.)	3/4	1-1/8	15G121R	3	15G121R	3
54895L	#2 str.–250 kcmil	250 kcmil–500 kcmil	5/8 in.–3/4 in. rod	#5–#6 (5/8 in.–3/4 in.)	1/2	3/4	15G86R	1	15G126R	1
54885L	#6 sol.–#2 str.	250 kcmil–500 kcmil	5/8 in.–3/4 in. rod	#5–#6 (5/8 in.–3/4 in.)	5/8	3/4	15501A	1	15G126R	1
54875L	#2 str.–250 kcmil	#2 str.–250 kcmil	1/2 in.–5/8 in. rod	#3–#4 (3/8 in.–1/2 in.)	1/2	3/4	15G86R	1	15G86R	1
54865L	#6 sol.–#2 str.	#1 str.–250 kcmil	1/2 in.–5/8 in. rod	#3–#4 (3/8 in.–1/2 in.)	5/16	3/4	15501A	1	15G86R	1
54855L	#6 sol.–#2 str.	#6 sol.–#2 str.	–	–	5/16	3/4	15501A	1	15501A	1

*Use hydraulic tool 13100A, TBM14CR-LI, TBM14M, TBM15CR-LI, TBM15, or TBM15I or with die marked on cat. no. Use 15500TB adaptor for 15-Ton Tool TBM15I.

☐ Number of crimps.