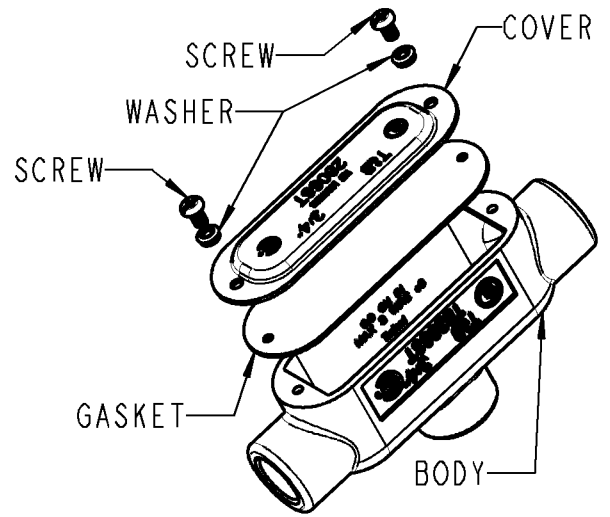
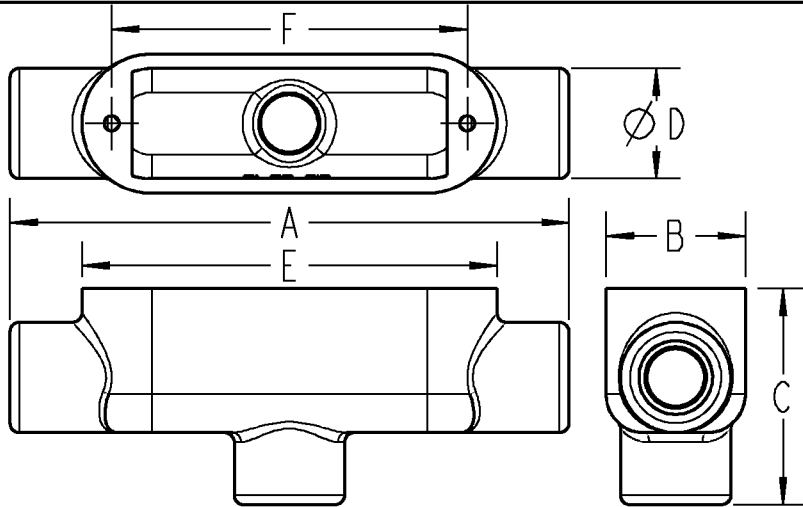




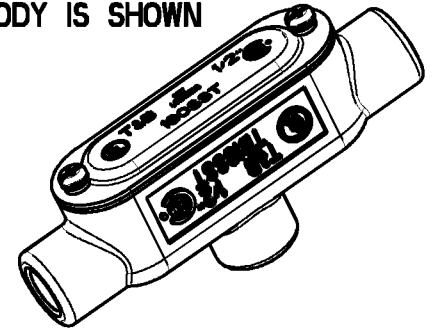
T&B Rigid Fittings



ASSEMBLED CONDUIT BODY IS SHOWN

NOTES: CONDUIT BODY IS SHOWN

- MATERIAL:**
BODY AND COVER: 316 STAINLESS STEEL
SCREWS AND WASHER RETAINERS: 18-8 STAINLESS STEEL
GASKET AND WASHER SEALS: SOLID NEOPRENE (-20°F TO 170°F)
- FINISH:**
COVER: MIRROR POLISHED
BODY: POLISHED
GASKET AND WASHER SEALS: BLACK IN COLOR
- ALL DIMENSIONS ARE FOR REFERENCE ONLY.
- ALL HUBS: NPT THREADS
- SS CONDUIT BODIES AND COVERS ARE ASSEMBLED.
- TWO SCREW COVER STYLE SHOWN. TRADE SIZES 1-1/2" & 2" SHALL HAVE (4) SCREW STYLE.
- UL LISTED AND CSA CERTIFIED.



TB68SST	2" TB STYLE CONDUIT BODY 88.0 CU IN; MAX. 3 WIRE 1/0	12.204"	3.820"	4.810"	2.900"	9.797"	9.125"
TB58SST	1-1/2" TB STYLE CONDUIT BODY 45.0 CU IN; MAX. 3 WIRE #1	10.046"	2.813"	3.854"	2.450"	7.938"	7.125"
TB48SST	1-1/4" TB STYLE CONDUIT BODY 24.0 CU IN; MAX. 3 WIRE #2	8.484"	2.200"	3.319"	2.200"	6.730"	5.810"
TB38SST	1" TB STYLE CONDUIT BODY 13.5 CU IN; MAX 3 WIRE #4	7.500"	1.850"	2.975"	1.750"	5.625"	5.000"
TB28SST	3/4" TB STYLE CONDUIT BODY 9.0 CU IN; MAX. 3 WIRE #6	6.420"	1.645"	2.530"	1.400"	4.921"	4.300"
TB18SST	1/2" TB STYLE CONDUIT BODY 5.5 CU IN	5.820"	1.450"	2.250"	1.150"	4.320"	3.700"
CAT.NO.	TRADE SIZE; VOLUME CONTENT; MAX. NUMBER & SIZE OF WIRES	DIM. "A"	DIM. "B"	DIM. "C"	DIM. "D"	DIM. "E"	DIM. "F"

GENERAL NOTES

- ALL DIMENSIONS ARE FOR REFERENCE ONLY.
- DIMENSIONS IN BRACKETS [] ARE IN METRIC UNITS.

REVISIONS

- | | |
|---|---|
| 2 | SEE ERN 2013806 FOR APPROVAL SIGNATURES & RELEASE DATE.
PROJECT NO: RM401890 |
|---|---|

Thomas & Betts
www.tnb.com

DESCRIPTION:

**TB STYLE
ASSEMBLED SS CONDUIT BODIES**

ORIGINAL PROJECT NO / (ERN NO)

RD55789 / (2012864)

SHEET NO:

1 OF 1

REV. NO:

2

DRAWING NO:

WSD-000531