

Type H Switches

Type H switches are attached to the tank by means of a 2-1/2 in. screw-in bushing. An external pointer indicates the float position within the tank when the unit is mounted. Switches come complete with stainless steel float and rod. A Buna N Quad-Ring® seal is used between the float rod and sealing connector. Normal application is at atmospheric pressure, but where higher pressures are encountered, the switch will withstand tank pressures up to 50 psi at temperatures up to +220 °F. Occasional replacement of the Quad-Ring seal may be necessary. Ambient temperature ratings: Min. -30 °C (-22 °F); Max. +105 °C (+220 °F)

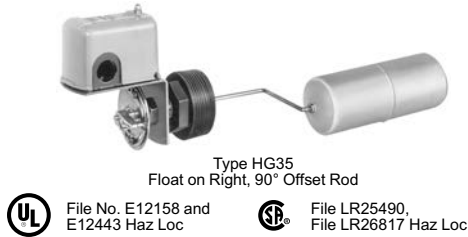


Table 22.76: Class 9037 Type H Contacts Close On Liquid Rise

Float Position (viewed from front of switch, facing indicator scale)	Float Rod Angle	Approximate Water Level Change (Field Adjustable)		NEMA 1	NEMA 4	NEMA 7 & 9
		Min. (in.)	Max. (in.)	Type	Type	Type
Right	45°	2	5	HG33	HW33	HR33
			5	HG35	HW35	HR35
	90° Offset	2	7	HG37	HW37	HR37
			8-1/4	HG39	HW39	HR39
Left	45°	2	5	HG34	HW34	HR34
			5	HG36	HW36	HR36
	90° Offset	2	7	HG38	HW38	HR38
			8-1/4	HG30	HW30	HR30
			11-1/2	HG32	HW32	HR32

NOTE: For replacement floats, see Class 9049 Type H on page 22-29. Types shaded in gray are available with Form Z19; see Table 22.78 on page 22-26. See Accessories and Renewal Parts on page 22-29.

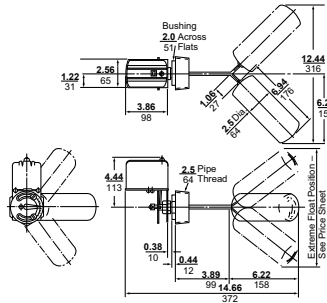
Table 22.77: Type H Float Travel Distances

Float Rod Angle	R in. (mm)	H [5] in. (mm)	f1 in. (mm)		f2 in. (mm)		F in. (mm)	
			Minimum	Maximum	Minimum	Maximum	Minimum	Maximum
45°	—	6.22 (158)	2.25 (57)	4.50 (114)	2.00 (52)	4.50 (110)	4.25 (108)	9.00 (229)
	3.00 (76)	4.25 (108)	2.75 (70)	4.25 (108)	2.25 (57)	4.25 (108)	5.00 (127)	7.50 (191)
90° offset	4.25 (108)	5.50 (140)	3.50 (89)	5.50 (140)	2.75 (70)	4.00 (102)	6.25 (159)	9.50 (241)
	5.00 (127)	6.25 (159)	3.75 (95)	6.25 (159)	3.00 (76)	4.50 (110)	6.75 (171)	10.75 (273)
	7.00 (178)	8.25 (210)	4.75 (121)	8.25 (210)	3.75 (95)	5.75 (146)	8.50 (216)	14.00 (356)

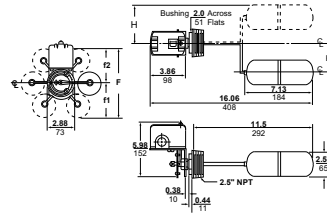
Table 22.78: Available Modifications For Class 9037 Type H

Description	Form
Omit 2-1/2" tank connecting bushing	F3
Omit float	L
Reverse action, contacts open on rise	R
Viton® packing: 5 oz. float (diesel fuel) for Types shaded in gray in Table 22.76 above.	Z19
Viton packing (suitable for applications up to +250 °F)	Z20
#316 stainless steel float and Viton packing	Z21

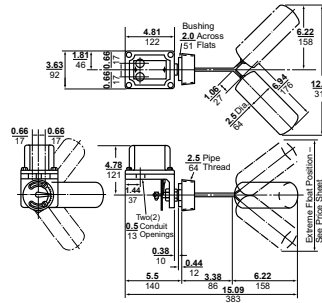
Type HG—45° Angle Dimensions



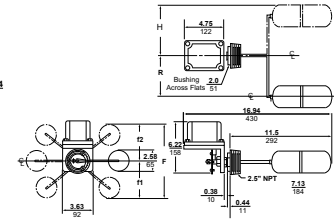
Type HG—90° Offset Dimensions



Type HR/HW—45° Angle Dimensions



Type HR/HW—90° Offset Dimensions



[5] Clearance from the centerline of the hub to the side of the tank.