

# Molded Case Circuit Breakers

SELECTION

## NGG 125A Frame

Type NGG (Cable In - Cable Out)

Continuous Ampere Rating @ 40°C	1-Pole		2-Pole		3-Pole	
	Catalog Number	List Price \$	Catalog Number	List Price \$	Catalog Number	List Price \$
15	NGG1B015L <sup>①②</sup>		NGG2B015L <sup>②</sup>		NGG3B015L <sup>②</sup>	
20	NGG1B020L <sup>①</sup>		NGG2B020L <sup>②</sup>		NGG3B020L <sup>②</sup>	
25	NGG1B025L <sup>②</sup>		NGG2B025L <sup>②</sup>		NGG3B025L <sup>②</sup>	
30	NGG1B030L <sup>②</sup>		NGG2B030L <sup>②</sup>		NGG3B030L <sup>②</sup>	
35	NGG1B035L <sup>②</sup>		NGG2B035L <sup>②</sup>		NGG3B035L <sup>②</sup>	
40	NGG1B040L <sup>②</sup>		NGG2B040L <sup>②</sup>		NGG3B040L <sup>②</sup>	
50	NGG1B050L <sup>②</sup>		NGG2B050L <sup>②</sup>		NGG3B050L <sup>②</sup>	
60	NGG1B060L		NGG2B060L		NGG3B060L	
70	NGG1B070L		NGG2B070L		NGG3B070L	
80	NGG1B080L		NGG2B080L		NGG3B080L	
90	NGG1B090L		NGG2B090L		NGG3B090L	
100	NGG1B100L		NGG2B100L		NGG3B100L	
110	NGG1B110L		NGG2B110L		NGG3B110L	
125	NGG1B125L		NGG2B125L		NGG3B125L	

Line and load lugs are included as standard. If only load side lugs are needed, change "L" suffix to "B". HACR rated. Suitable for screws or DIN rail mounting.



NGG

### Ordering Information

Prices for 1-pole and 2-pole NGG breakers include the breaker complete with load side lugs only. For factory installed standard line and load lugs, change the breaker catalog number suffix "B" to an "L", and add the list price of the line side lugs to the list price of the complete breaker.

Prices for all NGG breakers include the breaker with standard line and load side lugs.

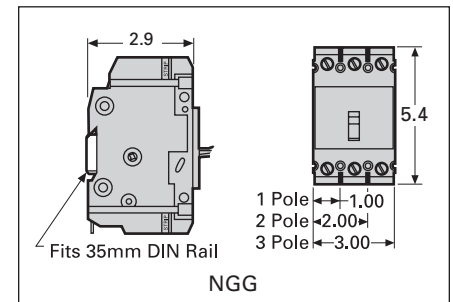
Prices for all NGB breakers include the breaker with standard load side lugs only.

All NGG and NGB breakers are suitable for reverse feed applications.

Type NGB Panelboard Mounting

Continuous Ampere Rating @ 40°C	1-Pole		2-Pole		3-Pole	
	Catalog Number	List Price \$	Catalog Number	List Price \$	Catalog Number	List Price \$
15	NGB1B015B <sup>①②</sup>		NGB2B015B <sup>②</sup>		NGB3B015B <sup>②</sup>	
20	NGB1B020B <sup>①</sup>		NGB2B020B <sup>②</sup>		NGB3B020B <sup>②</sup>	
25	NGBa1B025B <sup>②</sup>		NGB2B025B <sup>②</sup>		NGB3B025B <sup>②</sup>	
30	NGB1B030B <sup>②</sup>		NGB2B030B <sup>②</sup>		NGB3B030B <sup>②</sup>	
35	NGB1B035B <sup>②</sup>		NGB2B035B <sup>②</sup>		NGB3B035B <sup>②</sup>	
40	NGB1B040B <sup>②</sup>		NGB2B040B <sup>②</sup>		NGB3B040B <sup>②</sup>	
50	NGB1B050B <sup>②</sup>		NGB2B050B <sup>②</sup>		NGB3B050B <sup>②</sup>	
60	NGB1B060B		NGB2B060B		NGB3B060B	
70	NGB1B070B		NGB2B070B		NGB3B070B	
80	NGB1B080B		NGB2B080B		NGB3B080B	
90	NGB1B090B		NGB2B090B		NGB3B090B	
100	NGB1B100B		NGB2B100B		NGB3B100B	
110	NGG1B110B		NGG2B110B		NGG3B110B	
125	NGG1B125B		NGG2B125B		NGG3B125B	

Load lugs are included as standard.



NGG

Connectors for 60/75°C Wire

NGG			
Ampere Rating	Catalog Number	Wire Range	List Price \$
15-30A	1TC1Q1 (qty. 1)	#12-#10 AWG Cu	
	3TC1Q1 (qty. 3)	#12-#8 AWG Al	
35-125A	3TA1GG20 (qty. 3)	#8-#1/0 AWG Cu #8-#2/0 AWG Al	
15-125A	TNKG3 (qty. 3)	Nut Keeper plate w/ screw (for crimp terminals)	

Dimensions, inches (mm)

Number of Poles	Width	Length	Depth	To Handle
1	1 (25)	5.4 (138)	2.9 (73)	3.3 (84)
2	2 (50)			
3	3 (75)			

Interrupting Ratings

Breaker Type	Number of Poles	UL 489 AIR						IEC 60947-2						
		RMS Symmetrical Amperes (KA)						Volts AC (50/60Hz)						
		Volts AC (50/60Hz)						220/240		380/415		Volts DC		
		120	240	277	347	480	600Y/347	125	250	I <sub>cu</sub>	I <sub>cs</sub>	I <sub>cu</sub>	I <sub>cs</sub>	250
NGG	1	65	—	25	18	—	—	14	—	25	12.5	—	—	—
	2, 3	—	65	—	—	25	18	—	14	25	12.5	25	12.5	10

Shipping Weights

Number of Poles	Number per Carton	Shipping Weight lbs. (kg)
1	1	.75 (0.34)
2	1	1.3 (0.59)
3	1	2.0 (0.91)

External Accessories pages 11-1 through 11-15

① SWD rated.  
② HID rated at 277VAC.