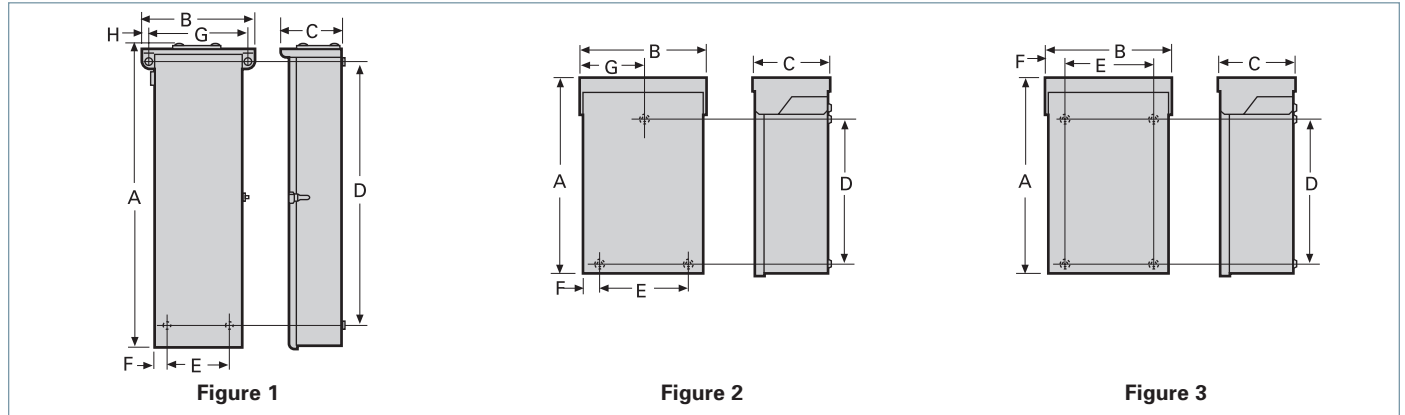


# Enclosed Circuit Breakers

Enclosures — Type 3R

Selection

## Dimensions



### Type 3R

Figure Number	Breaker Frame	Number of Poles	Maximum Current Rating	Catalog Number	Weight Lb./Ship. Package	Dimensions (inches)							
						A	B	C	D	E	F	G	H
2	QP, QPH	1-2	60	W0204ML1060 <sup>Ⓞ</sup>	28	8 <sup>5</sup> / <sub>16</sub>	5 <sup>5</sup> / <sub>16</sub>	4 <sup>5</sup> / <sub>16</sub>	—	—	—	—	—
2	QPP, QPPH, HQPP	1-4	225	W0406ML1225CU <sup>Ⓞ</sup>	24	23 <sup>5</sup> / <sub>16</sub>	10 <sup>1</sup> / <sub>2</sub>	4 <sup>5</sup> / <sub>16</sub>	20	7 <sup>1</sup> / <sub>2</sub>	1 <sup>15</sup> / <sub>16</sub>	5 <sup>1</sup> / <sub>2</sub>	—
2	QP, QPH, HQP	3	100	W0303ML3100 <sup>Ⓞ</sup>	9	17 <sup>1</sup> / <sub>2</sub>	7 <sup>1</sup> / <sub>2</sub>	4 <sup>5</sup> / <sub>16</sub>	14 <sup>1</sup> / <sub>2</sub>	4 <sup>1</sup> / <sub>2</sub>	1 <sup>1</sup> / <sub>2</sub>	3 <sup>11</sup> / <sub>16</sub>	—
2	BQ, BQH, HBQ	3 3	50 100	WB3100 <sup>Ⓞ</sup>	9	17 <sup>1</sup> / <sub>2</sub>	7 <sup>1</sup> / <sub>2</sub>	4 <sup>5</sup> / <sub>16</sub>	14 <sup>1</sup> / <sub>2</sub>	4 <sup>1</sup> / <sub>2</sub>	1 <sup>1</sup> / <sub>2</sub>	3 <sup>11</sup> / <sub>16</sub>	—
2	NGG, HGG, LGG	2-3	125	GG0123RN	15	19 <sup>3</sup> / <sub>4</sub>	9	5	16 <sup>5</sup> / <sub>16</sub>	6	1 <sup>1</sup> / <sub>2</sub>	4 <sup>1</sup> / <sub>2</sub>	—
5	ED2, ED4, ED6, HED4, HED6	2-3	100	E2N3R <sup>Ⓢ</sup>	12	17 <sup>9</sup> / <sub>16</sub>	7 <sup>1</sup> / <sub>2</sub>	5 <sup>1</sup> / <sub>2</sub>	12 <sup>29</sup> / <sub>64</sub>	5 <sup>1</sup> / <sub>2</sub>	1	3	—
5	CED6, ED2, ED4, ED6	2-3	125	CED6N3R <sup>Ⓢ</sup>	16	22 <sup>1</sup> / <sub>64</sub>	7 <sup>1</sup> / <sub>2</sub>	5 <sup>1</sup> / <sub>2</sub>	17 <sup>1</sup> / <sub>2</sub>	5 <sup>1</sup> / <sub>2</sub>	1	3	—
1	FXD6, FD6, FXD6, FD6, HFD6, HFXD6, HFD6, CFD6	2-3	250	F6N3R <sup>Ⓢ</sup>	45	38 <sup>1</sup> / <sub>2</sub>	14 <sup>1</sup> / <sub>16</sub>	7 <sup>1</sup> / <sub>2</sub>	33 <sup>3</sup> / <sub>32</sub>	8	<sup>13</sup> / <sub>16</sub>	13 <sup>1</sup> / <sub>2</sub>	<sup>1</sup> / <sub>16</sub>
1	JXD2, JD6, JXD6, HJD6, HJXD6, HHJD6, HHJXD6, SJD6, SHJD6	2-3	400	J6N3R <sup>Ⓢ</sup>	126	40 <sup>63</sup> / <sub>64</sub>	26 <sup>3</sup> / <sub>4</sub>	11 <sup>23</sup> / <sub>32</sub>	35 <sup>1</sup> / <sub>2</sub>	18 <sup>1</sup> / <sub>2</sub>	2 <sup>1</sup> / <sub>2</sub>	24 <sup>1</sup> / <sub>2</sub>	1 <sup>1</sup> / <sub>2</sub>
1	LD6, LXD6, LXD6H, HLD6, HLXD6, HLLD6, HLLXD6, CJD6, CLD6, SCJD6, SLD6, SHLD6	2-3	600	LD6N3R <sup>Ⓢ</sup>	137	45 <sup>63</sup> / <sub>64</sub>	26 <sup>3</sup> / <sub>4</sub>	11 <sup>23</sup> / <sub>32</sub>	40 <sup>3</sup> / <sub>4</sub>	18 <sup>1</sup> / <sub>2</sub>	2 <sup>1</sup> / <sub>2</sub>	24 <sup>1</sup> / <sub>2</sub>	1 <sup>1</sup> / <sub>2</sub>
4	LMXD6, LMD6, HLMXD6, HLMD6	2-3	800	LMD3R <sup>Ⓢ</sup>	210	61 <sup>1</sup> / <sub>64</sub>	26 <sup>3</sup> / <sub>4</sub>	11 <sup>23</sup> / <sub>32</sub>	57 <sup>17</sup> / <sub>32</sub>	18 <sup>1</sup> / <sub>2</sub>	2 <sup>1</sup> / <sub>2</sub>	24 <sup>5</sup> / <sub>16</sub>	1 <sup>1</sup> / <sub>16</sub>
1	MD6, MXD6, SMD6, HMD6, HMXD6, SHMD6, ND6, NXD6, SND6, HND6, HNXD6, SHND6, CMD6, SCMD6, CND6, SCND6	2-3	1200	MND63 <sup>Ⓢ</sup>	210	61 <sup>1</sup> / <sub>64</sub>	26 <sup>3</sup> / <sub>4</sub>	11 <sup>23</sup> / <sub>32</sub>	57 <sup>17</sup> / <sub>32</sub>	18 <sup>1</sup> / <sub>2</sub>	2 <sup>1</sup> / <sub>2</sub>	24 <sup>5</sup> / <sub>16</sub>	1 <sup>1</sup> / <sub>16</sub>

For inches / millimeters conversion, see Application Data section.

Note: All above enclosures are suitable for use as service entrance equipment.

Ⓢ Does not include circuit breaker. Order circuit breaker separately.

Ⓞ Neutral not included. Order as separate item from table on next page.

Ⓢ Neutral included in enclosure.

Ⓢ Will not accept breaker with shunt trip.

Ⓢ Will not accept 2 pole GFP or breaker with shunt trip.

Ⓢ Includes 100% rated breakers.