

**INLINE™ HMI, TYPE 4**

**INDUSTRY STANDARDS**

UL 508A Listed; Type 4, 12; File No. E61997  
 cUL Listed per CSA C22.2 No. 94; Type 4, 12; File No. E61997

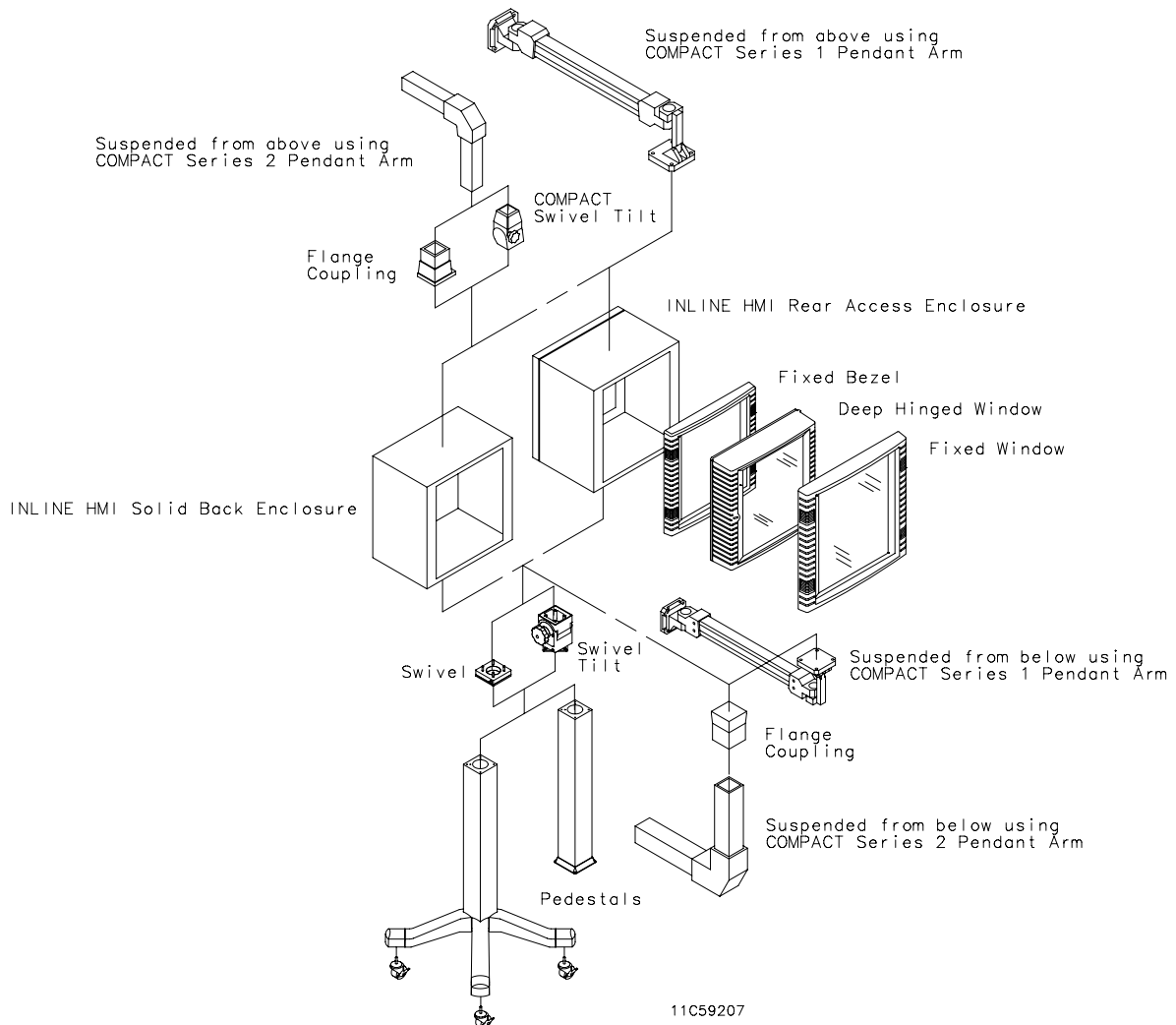
NEMA/EEMAC Type 4, 12  
 CSA File Number 42186: Type 4, 12  
 IEC 60529, IP66

**APPLICATION**

Practical functionality is the signature feature of all INLINE™ HMI enclosures. With multiple options that allow for many different configurations, these enclosures are highly adaptable and useful in applications where a protective housing is required for small HMI devices.

**FINISH**

RAL 7035 textured light-gray polyester powder paint inside and out over pretreated surfaces. Optional panels are white.

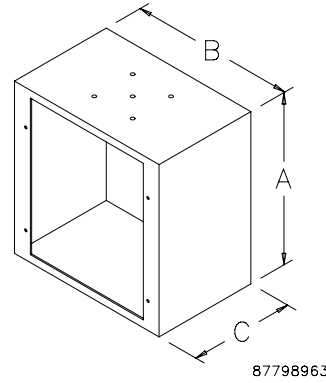


**SOLID-BACK BODY**

Solid-Back Body is 16 gauge steel with open front. Front is configured to install optional fixed bezel, deep-hinged window or fixed window. Panels or DIN rails mount on studs in the rear of the enclosure. Ground stud furnished. Drill points on enclosure mark location for pendant or pedestal mounting.

BULLETIN: C3

Catalog Number	AxBxC mm/in.	Description	Product Weight (lb.)
LLB161612	166 x 160 x 102 6.54 x 6.30 x 4.00	Solid-Back Body	2.7
LLB252512	250 x 250 x 102 9.84 x 9.84 x 4.00	Solid-Back Body	5.0

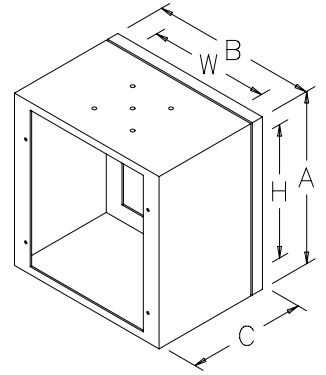


87798963

**REAR-ACCESS BODY**

Enclosure body is 16 gauge steel with rear-access door. Open front is configured to install optional fixed bezel, deep-hinged window or fixed window. Rear door, furnished with foam-in-place gasket and quarter-turn latch (standard slotted insert), accepts most INLINE® door accessories. Ground stud furnished. Drill points on enclosure mark location for pendant or pedestal mounting.

BULLETIN: C3



11C59208

Catalog Number	AxBxC mm/in.	Description	Rear Door Opening mm/in.	Product Weight (lb.)
LLBR161612	166 x 160 x 120 6.54 x 6.30 x 4.72	Rear Access Body	148 x 142 5.82 x 5.58	3.4
LLBR252512	250 x 250 x 120 9.84 x 9.84 x 4.72	Rear Access Body	232 x 232 9.13 x 9.13	5.7