

CC4000, TYPE 12

INDUSTRY STANDARDS

 UL 508A Listed; Type 12; File No. E61997
 cUL Listed per CSA C22.2 No. 94; Type 12; File No. E61997

 NEMA/EEMAC Type 12
 IEC 60529, IP55
 DIN 40050

APPLICATION

Choose from various body styles, configurations and mounting options. The keyboard and/or enclosure tilts to be ergonomic and comfortable.

CC4000 Enclosures

All body sizes and styles are available for pendant or pedestal mounting with or without a keyboard. Hinged and solid bodies are available in the sizes shown in the table. Hinged bodies offer extra depth and rear access. Rear aluminum screw cover is standard.

Pendant-Mount Enclosures

Use in pendant-mounting applications where keyboard compartment is not required. Cutout in top for mounting with pendant arm.

Pendant-Mount Enclosures with Keyboard Compartment Capability

Use in pendant-mounting applications where a keyboard compartment is required.

- Cutout in top for mounting with pendant arm
- Cutout on bottom for keyboard tilt mechanism
- Order tilt mechanism and keyboard compartment separately

Pedestal-Mount Enclosure
Standard Product Pendant Mount Enclosures

Catalog Number	AxBxC mm	AxBxC in.	Body Style	Usable Area D x E (mm)	Usable Area D x E (in.)	F (mm)	F (in.)	Product Weight (lb.)
CCC284014PN	280 x 400 x 140	11.02 x 15.75 x 5.51	Solid	185 x 275	7.28 x 10.83	—	—	16.4
CCC334014PN	330 x 400 x 140	12.99 x 15.75 x 5.51	Solid	235 x 275	9.25 x 10.83	—	—	17.5
CCC456029PN	450 x 600 x 290	17.72 x 23.62 x 11.42	Solid	355 x 475	13.98 x 18.70	—	—	44.0
CCC334026HPN	330 x 400 x 268	12.99 x 15.75 x 10.55	Hinged	235 x 275	9.25 x 10.83	128	5.04	30.0
CCC425326HPN	425 x 530 x 268	16.73 x 20.87 x 10.55	Hinged	330 x 405	12.99 x 15.94	128	5.04	41.0

Use in pedestal mounting applications with the CPCC4 Pedestal, either with or without a keyboard.

- Tilt mechanism required for connecting enclosure and pedestal
- Cutout on bottom for tilt mechanism mounting
- Order tilt mechanism and keyboard compartment (if needed) separately

SPECIFICATIONS

- Extruded Type 6063 aluminum top and sides provide a quality appearance and internal flexibility
- Body is available hinged or solid
- Optional rear covers can be hinged on either the right or left side
- Integral mounting system has extruded screw channels to facilitate easy component installation
- Each size is designed to accommodate a range of flat-screen HMI devices
- Oil-resistant gasket attached with oil-resistant adhesive
- High thermal conductivity for superior heat dissipation

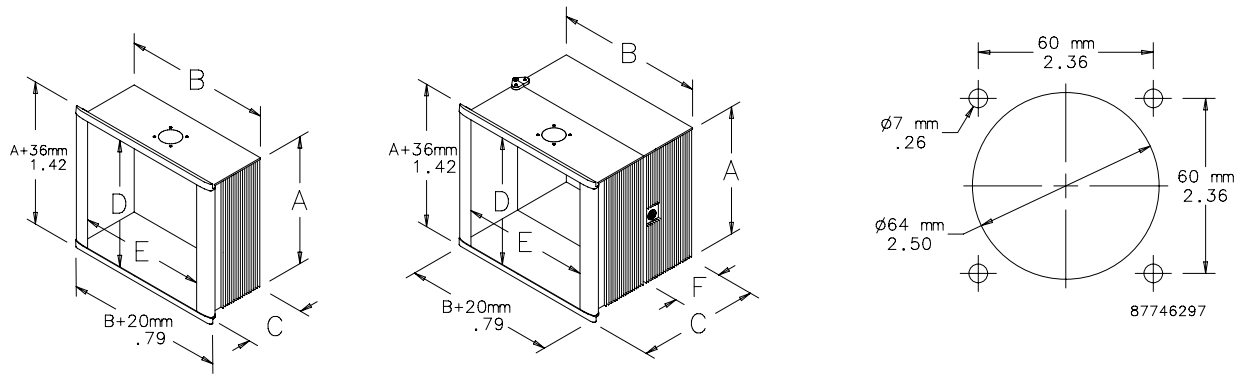
FINISH

Enclosure vertical components are clear anodized aluminum; horizontal components are painted RAL 7021 black aluminum. Steel front plates have RAL 7035 gray polyester powder paint finish. Stainless steel front plates have a brushed finish. Aluminum rear covers have a clear anodized brushed finish.

ACCESSORIES

See the *Accessories*.
 Keyboard Compartment
 Lift-Off Hinge Kit
 Pedestal
 Hinged Rear Cover
 Tilt Mechanism

BULLETIN: CC4

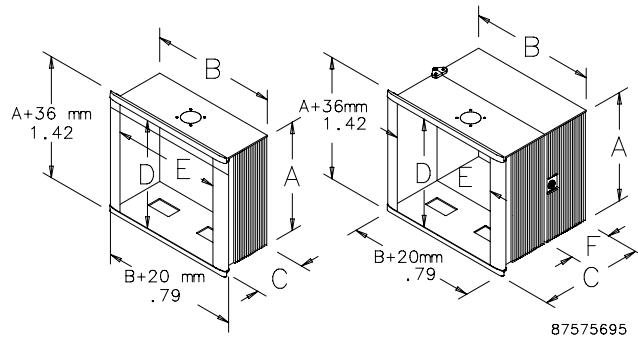


Standard Product **Pendant Mount Enclosures with Keyboard Compartment Capability**

Catalog Number	AxBxC mm	AxBxC in.	Body Style	Usable Area D x E (mm)	Usable Area D x E (in.)	F (mm)	F (in.)	Tilt Mechanism	Product Weight (lb.)
CCC284014PNK	280 x 400 x 140	11.02 x 15.75 x 5.51	Solid	185 x 275	7.28 x 10.83	—	—	CTKBC	16.4
CCC456029PNK	450 x 600 x 290	17.72 x 23.62 x 11.42	Solid	355 x 475	13.98 x 18.70	—	—	CTKBC	44.0
CCC334026HPNK	330 x 400 x 268	12.99 x 15.75 x 10.55	Hinged	235 x 275	9.25 x 10.83	128	5.04	CTKBC	30.0
CCC425326HPNK	425 x 530 x 268	16.73 x 20.87 x 10.55	Hinged	330 x 405	12.99 x 15.94	128	5.04	CTKBC	41.0

Solid Enclosure

Hinged Enclosure



Standard Product **Pedestal Mount Enclosures**

Catalog Number	AxBxC mm	AxBxC in.	Body Style	D x E (mm)	D x E (in.)	F (mm)	F (in.)	Tilt Mechanism Without Keyboard	Tilt Mechanism With Keyboard	Weight (lb.)
CCC284014PD	280 x 400 x 140	11.02 x 15.75 x 5.51	Solid	185 x 275	7.28 x 10.83	—	—	CTKBC	CTKBCP	16.4
CCC334014PD	330 x 400 x 140	12.99 x 15.75 x 5.51	Solid	235 x 275	9.25 x 10.83	—	—	CTKBC	CTKBCP	17.5
CCC456029PD	450 x 600 x 290	17.72 x 23.62 x 11.41	Solid	355 x 475	13.98 x 18.70	—	—	CTKBC	CTKBCP	44.0
CCC334026HPD	330 x 400 x 268	12.99 x 15.75 x 10.55	Hinged	235 x 275	9.25 x 10.83	128	5.04	CTKBC	CTKBCP	30.0
CCC425326HPD	425 x 530 x 268	16.73 x 20.87 x 10.55	Hinged	330 x 405	12.99 x 15.94	128	5.04	CTKBC	CTKBCP	41.0

Solid Enclosure

Hinged Enclosure

