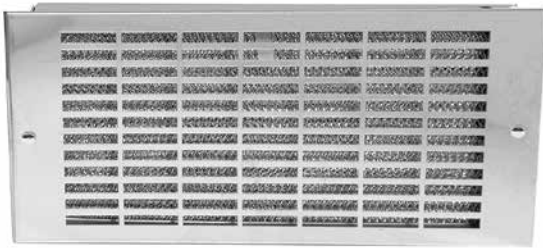


## FILTER GRILLE PANEL



### APPLICATION

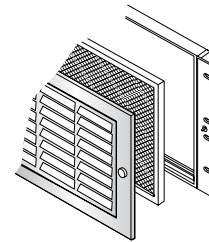
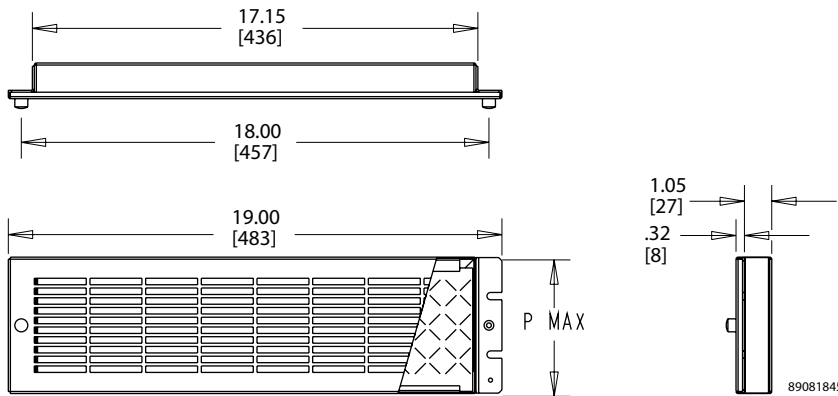
Filter Grille Panels add valuable ventilation to a rack for either inlet or exhaust air. Used alone, filter grille panels allow adequate air flow on natural convection applications or in conjunction with an air moving device to provide filtered air intake.

### FEATURES

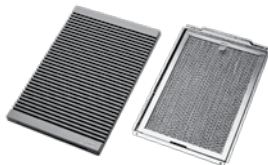
- Permanent, Washable Aluminum Filter
- 19-inch Rack Mountable
- Brushed Aluminum or Stainless Steel Grilles

### Performance Data Filter Grille Panel

| CATALOG NUMBERS      |        |          |          |          |           |
|----------------------|--------|----------|----------|----------|-----------|
| Stainless Steel      | 35G19  | 525G19   | 7G19     | 875G19   | 105G19    |
| Aluminum             | 35H19  | 525H19   | 7H19     | 875H19   | 105H19    |
| UNIT CONSTRUCTION    |        |          |          |          |           |
| Height PMax (in./mm) | 3.5/89 | 5.25/133 | 7.00/178 | 8.75/222 | 10.50/267 |
| Width (in./mm)       | 19/483 | 19/483   | 19/483   | 19/483   | 19/483    |
| Weight (lb./kg)      | 2/1.0  | 3/1.4    | 5/2.2    | 5/2.2    | 5/2.2     |

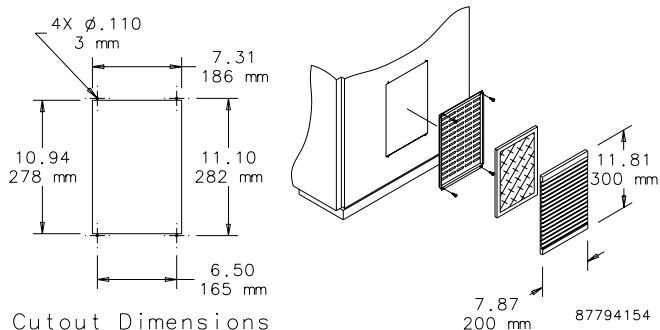


**VENT KIT**



Includes a stylized louvered cover and filter package. Use as an air inlet when a cooling fan is mounted in an enclosure or use two vent kits to allow passive airflow. Mounting hardware included. Vent Kit requires cutout shown in diagram. Available in gray (RAL 7042) or black.

| CATALOG NUMBERS              |                                       |                                       |
|------------------------------|---------------------------------------|---------------------------------------|
|                              | XPV32                                 | PPV32B                                |
| <b>UNIT CONSTRUCTION</b>     |                                       |                                       |
| Dimension H x W x D (in./mm) | 11.81 x 7.88 x 1.03<br>300 x 200 x 26 | 11.81 x 7.88 x 1.03<br>300 x 200 x 26 |
| Color                        | Gray                                  | Black                                 |



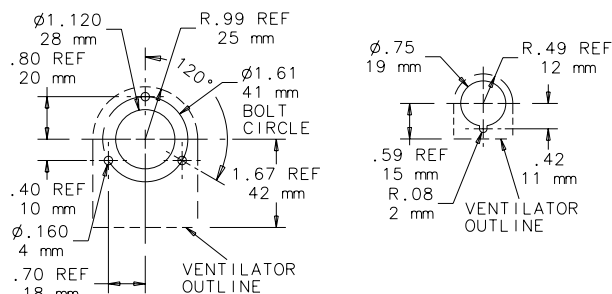
Cutout Dimensions

**VENTILATOR**



Designed to fit most metallic and non-metallic enclosures. Proper installation will provide rainproof ventilation but will not meet Type 4 or 12 requirements. Kit includes mounting hardware, and instructions. Supplied screws are 13-mm (.515-inch) long. Some applications may require longer screws.

| CATALOG NUMBERS    |                        |                        |
|--------------------|------------------------|------------------------|
|                    | ANMV6                  | ANMV3                  |
| <b>DESIGN DATA</b> |                        |                        |
| Description        | Large nonmetallic vent | Small nonmetallic vent |



Small Ventilator

Large Ventilator

87541390

**FILTER ADHESIVE**



Designed to maximize the efficiency of all expanded aluminum air filters. Use of Filter Adhesive doubles the dust-retention capacity of the filter. Adhesive contains a low-viscosity water-soluble oil which absorbs dirt particles trapped on the surface of the filter. Through the circulation of the oil, a renewed impurity-absorbing surface is constantly established. Washing with water will remove dust, dirt and other impurities. Once the filter is dry, re-coat with adhesive.

| CATALOG NUMBERS    |                |
|--------------------|----------------|
|                    | AFLTAD         |
| <b>DESIGN DATA</b> |                |
| Description        | Spray Adhesive |