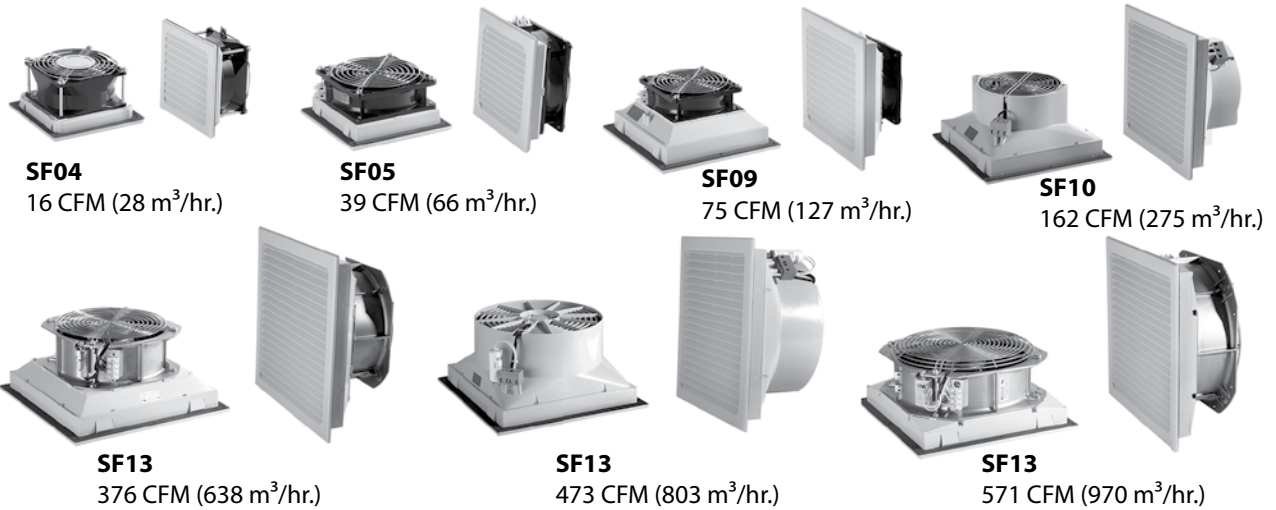


SF SIDE-MOUNT


SF04
16 CFM (28 m³/hr.)

SF05
39 CFM (66 m³/hr.)

SF09
75 CFM (127 m³/hr.)

SF10
162 CFM (275 m³/hr.)

SF13
376 CFM (638 m³/hr.)

SF13
473 CFM (803 m³/hr.)

SF13
571 CFM (970 m³/hr.)

INDUSTRY STANDARDS

UL/cUL recognized; File No. 235470

CE, CSA (fan motor only)
Type 12, IP54 standard
Type 12, IP 55 optional

APPLICATION

- Industrial automation
- Automotive assembly
- Package handling equipment
- Food and beverage process controls
- Wind energy systems

FEATURES

- Click-fit design quickly installs into enclosure wall; no tools or screws required
- Simple snap-open grille for easy filter replacement
- Enclosure side wall mounting
- Reverse airflow option on SF13 models available to push/pull air through higher static pressure
- Standard foam-in-place gasket
- Similar cut-out sizes as other filter fan manufacturers
- Terminal wire connections
- Optional thermostat available to save energy and extend service life

SPECIFICATIONS

- Size range from 4 in. (102 mm) to 13 in. (325 mm)
- Free air flow from 16 CFM (28 m³/hr.) to 571 CFM (920 m³/hr.)
- Service life hours from 40000 to 70000 hours
- Operating temperature range from -4 F/-20 C to 149 F/65 C

FINISH

- RAL 7035 light-gray, UV-resistant plastic standard
- RAL 9011 black, UV-resistant plastic optional

ACCESSORIES

- Replacement filters
- Thermostat
- Rain shroud

NOTES

Visit www.HoffmanOnline.com to download 2D and 3D CAD drawings into the overall design of your electronic system.

Performance Data **SF05 39 CFM (66 m³/hr.) Side-Mount Filter Fan**

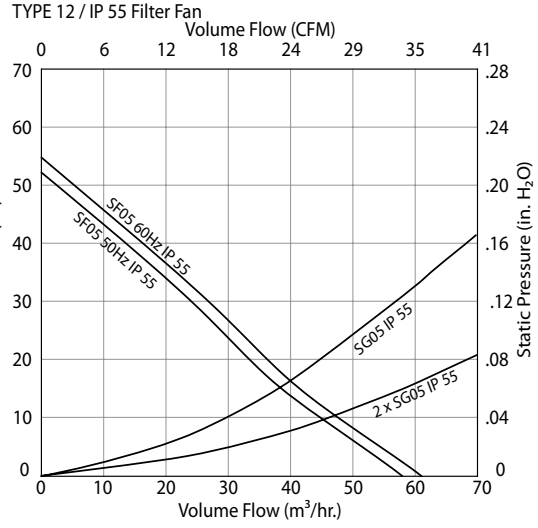
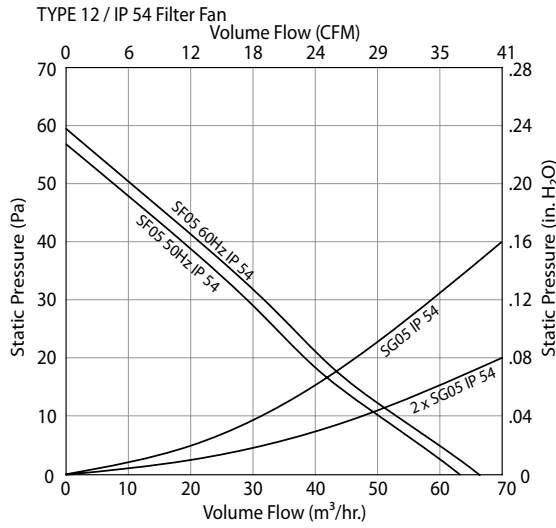
ELECTRICAL DATA				
Rated Voltage	115	230	24	48
Frequency (Hz)	50 / 60	50 / 60	—	—
Nominal Current Maximum (Amps)	0.23	0.11	0.17	0.08
Power Consumption Maximum (Watts)	20	20	4.1	3.5
Power Connection	Terminal Block			
TYPE 12 / IP54 FILTER FANS RAL 7035 Light Gray:				
RAL 7035 Light Gray:				
Catalog Number	SF0516414	SF0526414	SF0524414	SF0548414
RAL 9011 Black:				
Catalog Number	SF0516413	SF0526413	SF0524413	SF0548413
Free Airflow (CFM / m ³ /hr.)	39 / 66	39 / 66	39 / 66	39 / 66
Airflow with 1 Exhaust Grille (CFM / m ³ /hr.)	26 / 44	26 / 44	26 / 44	26 / 44
Airflow with 2 Exhaust Grilles (CFM / m ³ /hr.)	30 / 51	30 / 51	30 / 51	30 / 51
TYPE 12 / IP55 FILTER FANS				
RAL 7035 Light Gray:				
Catalog Number	SF0516514	SF0526514	SF0524514	SF0548514
RAL 9011 Black:				
Catalog Number	SF0516513	SF0526513	SF0524513	SF0548513
Free Airflow (CFM / m ³ /hr.)	36 / 61	36 / 61	36 / 61	36 / 61
Airflow with 1 Exhaust Grille (CFM / m ³ /hr.)	24 / 40	24 / 40	24 / 40	24 / 40
Airflow with 2 Exhaust Grilles (CFM / m ³ /hr.)	28 / 47	28 / 47	28 / 47	28 / 47
FILTER FAN UNIT CONSTRUCTION				
Fan RPM	2650 / 3100	2650 / 3100	3050	3050
Sound Pressure (dBA)	42	42	42	42
Operating Temperature Range:				
Maximum (°F / °C)	131 / 55	131 / 55	149 / 65	149 / 65
Minimum (°F / °C)	14 / -10	14 / -10	-4 / -20	-4 / -20
Service Life (hours)	27,500	27,500	50,000	50,000
Unit Dimensions - H x W x D (in. / mm)		5.83 x 5.83 x 2.56 / 148 x 148 x 65		
Cutout Dimensions - H x W (in. / mm)		4.92 x 4.92 / 125 x 125		
Weight (lb. / kg)		1.19 / .54		
TYPE 12 / IP54 EXHAUST GRILLES				
RAL 7035 Light Gray:				
Catalog Number		SG0500404		
RAL 9011 Black:				
Catalog Number		SG0500403		
TYPE 12 / IP55 EXHAUST GRILLES				
RAL 7035 Light Gray:				
Catalog Number		SG0500504		
RAL 9011 Black:				
Catalog Number		SG0500503		
ACCESSORIES				
Replacement Filters:				
Type 12 / IP54 Catalog Number		10100060		
Type 12 / IP55 Catalog Number		10100064H		
Thermostat Catalog Number		TWR60		
Stainless Steel Washdown Shroud Catalog Number		SH0500005		

Above airflow rates at 60 Hz; see performance curves for airflow at 50 Hz and more details.

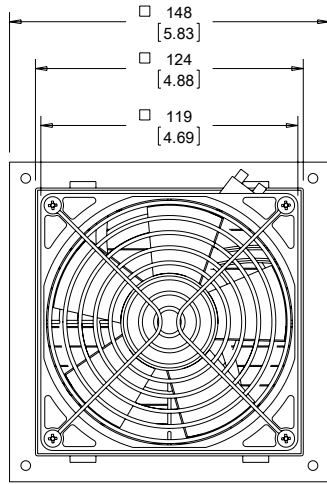
Unit depth is from the back edge of the grille to the back of the fan.

Exhaust Grilles sold separately.

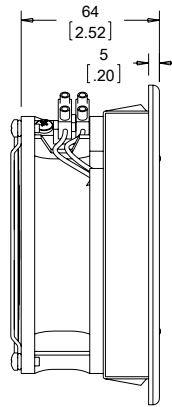
SF05 39 CFM (66 m³/hr.) Side-Mount Filter Fan Performance Curve



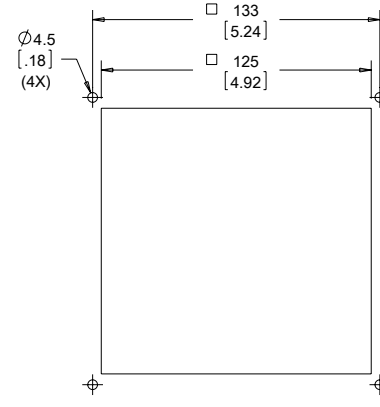
FILTER FAN



BACK VIEW

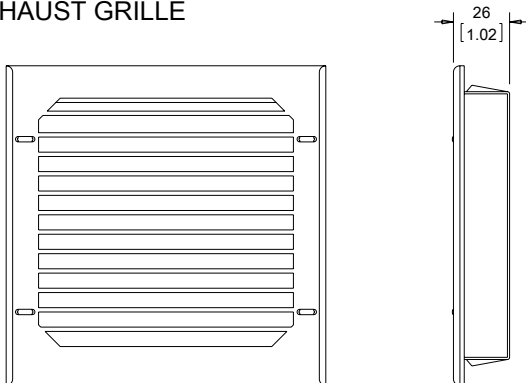


SIDE VIEW



CUTOUT

EXHAUST GRILLE



89051216

Visit www.HoffmanOnline.com to download 2D and 3D CAD drawings into the overall design of your electronic system.