

**TWO-DOOR WITH 3-POINT LATCHES AND FLOOR STANDS, TYPE 4**

**FEATURES**

- Three-point latch for security and ease of use
- Return flange around the door opening excludes liquids and contaminants
- Removable centerpost permits easy panel installation

**SPECIFICATIONS**

- 12 gauge steel
- 3-point latch system with POWERGLIDE™ padlocking handles
- Seams continuously welded and ground smooth; no holes or knockouts
- Body stiffeners
- Panel supports
- Heavy gauge continuous hinge with stainless steel hinge pin
- Data pocket is high-impact thermoplastic
- 12-in. floor stands are welded to enclosure
- Heavy-duty lifting eyes
- Oil-resistant door gasket
- Collar stud for mounting optional panels
- Grounding stud on body
- Bonding provision on door
- Provision for mounting fluorescent light

**FINISH**

ANSI 61 gray polyester paint inside and out over pretreated surfaces. Optional panels have white or conductive finish.

**ACCESSORIES**

See also *Accessories*.

Electrical Interlocks  
 Enclosure Stabilizers  
 INTERSAFE™ Data Interface Ports, Type 4/4X/12  
 PANELITE™ Enclosure Lights Overview  
 Panel Support Kit

**MODIFICATION AND CUSTOMIZATION**

Hoffman excels at modifying and customizing products to your specifications. Contact your local Hoffman sales office or distributor for complete information.

**BULLETIN: A4L3**

**INDUSTRY STANDARDS**

UL 508A Listed; Type 4, 12; File No. E61997  
 cUL Listed per CSA C22.2 No. 94; Type 4, 12; File No. E61997

NEMA/EEMAC, Type 3, 4, 12, 13  
 IEC 60529, IP66

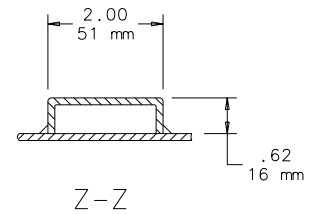
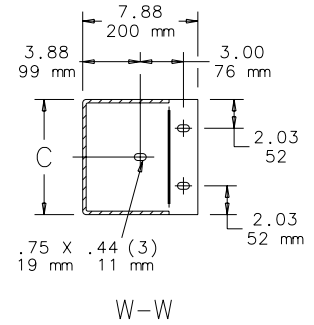
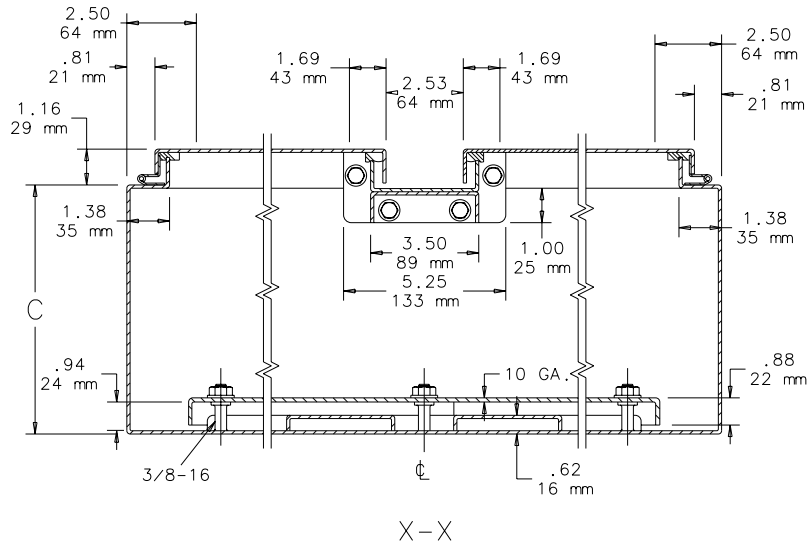
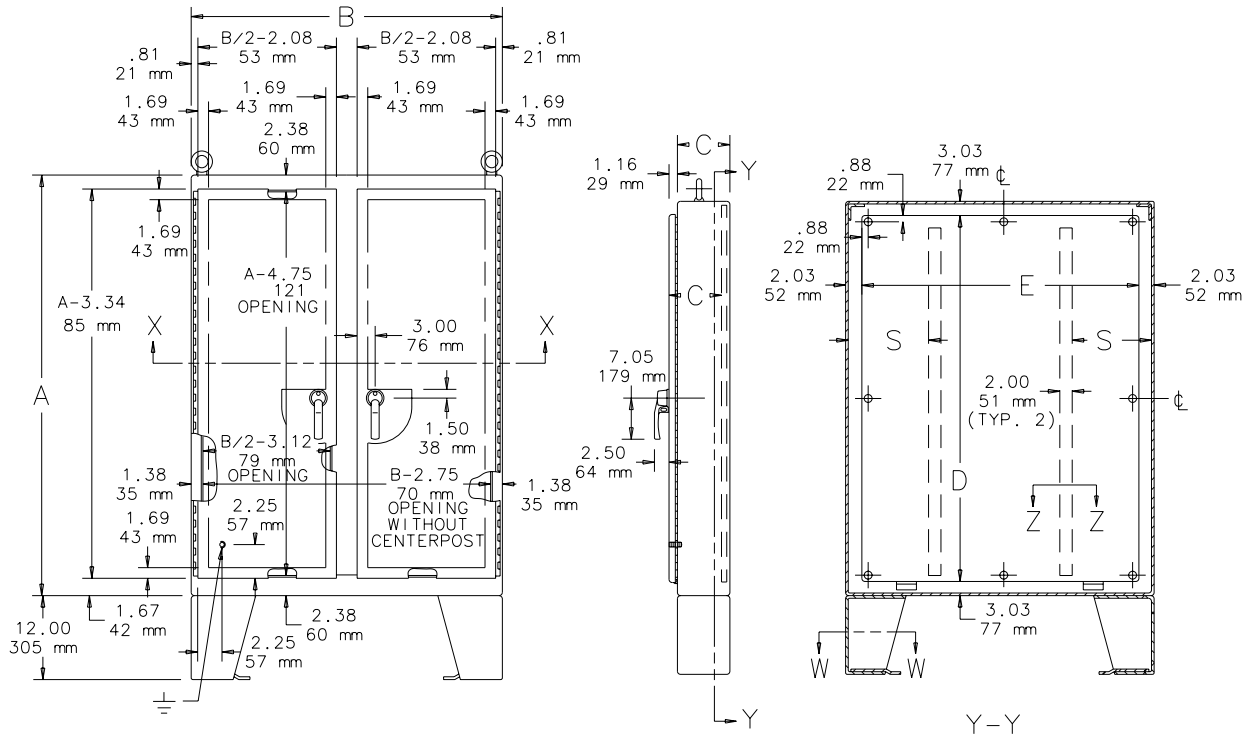
**APPLICATION**

These enclosures are ideal for indoor or outdoor applications where it is necessary to protect controls and instrumentation from wet, non-corrosive environments. The design features Hoffman's exclusive POWERGLIDE™ Handle with 3-point latching for secure closure and floor height and provide additional height and access for cleaning under the enclosure.

**Standard Product**

Catalog Number	AxBxC in./mm	Panel	Conductive Panel	Body Stiffener S in./mm	Panel Size D x E in./mm
A62H4810LP3PT	62.06 x 48.06 x 10.06 1576 x 1221 x 256	A60P48	A60P48G	15.00 381	56.00 x 44.00 1422 x 1118
A62H4818LP3PT	62.06 x 48.06 x 18.06 1576 x 1221 x 459	A60P48	A60P48G	15.00 381	56.00 x 44.00 1422 x 1118
A62H6012LP3PT	62.06 x 60.06 x 12.06 1576 x 1526 x 306	A60P60	A60P60G	21.00 533	56.00 x 56.00 1422 x 1422
A62H6018LP3PT	62.06 x 60.06 x 18.06 1576 x 1526 x 459	A60P60	A60P60G	21.00 533	56.00 x 56.00 1422 x 1422
A74H6012LP3PT	74.06 x 60.06 x 12.06 1881 x 1526 x 306	A72P60	A72P60G	21.00 533	68.00 x 56.00 1727 x 1422
A74H6018LP3PT	74.06 x 60.06 x 18.06 1881 x 1526 x 459	A72P60	A72P60G	21.00 533	68.00 x 56.00 1727 x 1422
A74H7212LP3PT	74.06 x 72.06 x 12.06 1881 x 1830 x 306	A72P72	A72P72G	24.00 610	68.00 x 68.00 1727 x 1727
A74H7218LP3PT	74.06 x 72.06 x 18.06 1881 x 1830 x 459	A72P72	A72P72G	24.00 610	68.00 x 68.00 1727 x 1727
A74H7224LP3PT	74.06 x 72.06 x 24.06 1881 x 1830 x 611	A72P72	A72P72G	24.00 610	68.00 x 68.00 1727 x 1727

Order panel separately.



87794322