

TWO-DOOR WITH 3-POINT LATCHES, TYPE 4X



INDUSTRY STANDARDS

UL 508A Listed; Type 3R, 4, 4X, 12; File No. E61997
 cUL Listed per CSA C22.2 No 94; Type 3R, 4, 4X, 12; File No. E61997

NEMA Type 3, 3R, 4, 4X, 12, 13
 IEC 60529, IP66
 Meets NEMA Type 3RX requirements

APPLICATION

These two-door enclosures provide industry-leading protection for large components or complex mounting configurations in highly-corrosive environments. Three-point latching with the Hoffman POWERGLIDE™ padlocking handles and a foam-in-place gasket combine convenience with security. They are well-suited for use in petrochemical plants; pulp and paper processing; water treatment facilities; and food, pharmaceutical and packaging applications.

SPECIFICATIONS

- Manufactured from 12 gauge Type 304 or 316L stainless steel
- Backs are 10 or 12 gauge stainless steel with x-form stiffeners
- Seams continuously welded and ground smooth; no holes or knockouts
- Removable centerpost for easy panel installation
- Collar studs provided for mounting optional panels
- Panel supports included
- Heavy-duty lifting eyes are Type 316L stainless steel
- Heavy-duty 3-point latching mechanism operated by Type 316L stainless steel POWERGLIDE padlocking handles
- Body flange trough collar excludes liquids and contaminants
- Heavy-duty stainless steel continuous hinges support each door
- Bonding provision on doors; grounding studs on body
- Accessory mounting channel provided in enclosure top
- Data pocket is high-impact thermoplastic
- 12-in. (305-mm) removable floor stands are bolted to enclosure
- Seamless foam-in-place one-piece gasket provides oil-tight and dust-tight seal against contaminants
- External hardware manufactured of Type 316 stainless steel

FINISH

Enclosures are unpainted. Front, sides, top and back have smooth #4 brushed finish. Optional mild steel panels are painted white. Optional conductive panels are available.

ACCESSORIES

See also *Accessories*.
 Industrial Corrosion Inhibitors
 Electric Heater
 Electrical Interlocks
 PANELITE™ Enclosure Lights Overview
 Panel Support Kit

MODIFICATION AND CUSTOMIZATION

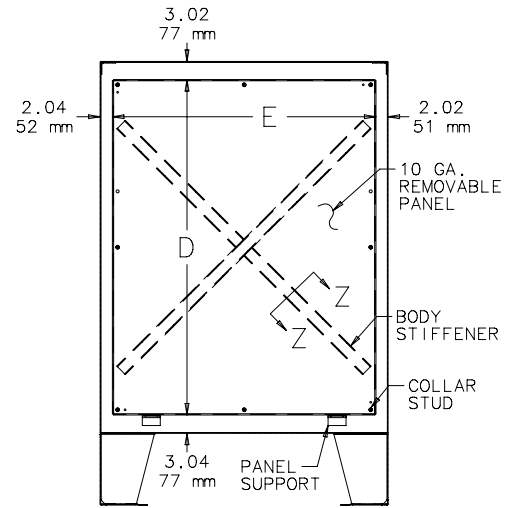
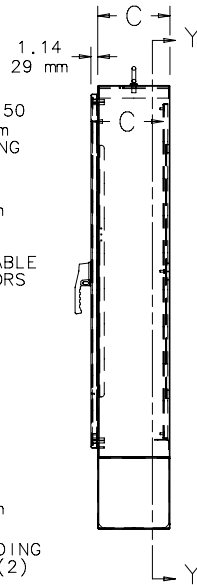
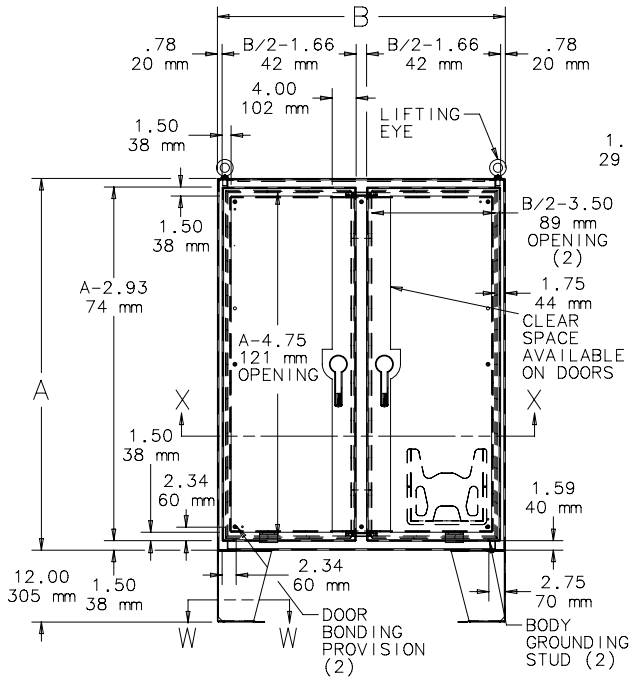
Hoffman excels at modifying and customizing products to your specifications. Contact your local Hoffman sales office or distributor for complete information.

BULLETIN: A4S3

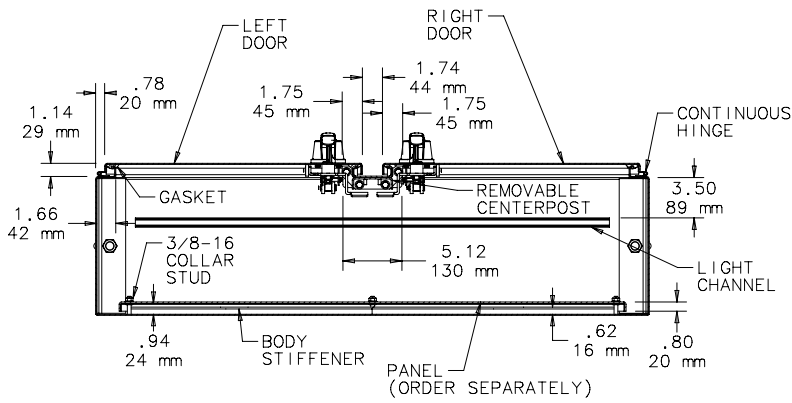
Standard Product

Catalog Number	AxBxC in.	AxBxC mm	Stainless Steel Type	Panel	Conductive Panel	Panel Size D x E (in.)	Panel Size D x E (mm)
A62H4812SSLP3PT	62.06 x 48.06 x 12.06	1576 x 1221 x 306	304	A60P48	A60P48G	56.00 x 44.00	1422 x 1118
A62H4812SS6LP3PT	62.06 x 48.06 x 12.06	1576 x 1221 x 306	316L	A60P48	A60P48G	56.00 x 44.00	1422 x 1118
A62H6012SSLP3PT	62.06 x 60.06 x 12.06	1576 x 1526 x 306	304	A60P60	A60P60G	56.00 x 56.00	1422 x 1422
A62H6012SS6LP3PT	62.06 x 60.06 x 12.06	1576 x 1526 x 306	316L	A60P60	A60P60G	56.00 x 56.00	1422 x 1422
A74H6012SSLP3PT	74.06 x 60.06 x 12.06	1881 x 1526 x 306	304	A72P60	A72P60G	68.00 x 56.00	1727 x 1422
A74H6012SS6LP3PT	74.06 x 60.06 x 12.06	1881 x 1526 x 306	316L	A72P60	A72P60G	68.00 x 56.00	1727 x 1422
A74H7212SSLP3PT	74.06 x 72.06 x 12.06	1881 x 1830 x 306	304	A72P72	A72P72G	68.00 x 68.00	1727 x 1727
A74H7212SS6LP3PT	74.06 x 72.06 x 12.06	1881 x 1830 x 306	316L	A72P72	A72P72G	68.00 x 68.00	1727 x 1727
A62H4818SSLP3PT	62.06 x 48.06 x 18.06	1576 x 1221 x 459	304	A60P48	A60P48G	56.00 x 44.00	1422 x 1118
A62H4818SS6LP3PT	62.06 x 48.06 x 18.06	1576 x 1221 x 459	316L	A60P48	A60P48G	56.00 x 44.00	1422 x 1118
A62H6018SSLP3PT	62.06 x 60.06 x 18.06	1576 x 1526 x 459	304	A60P60	A60P60G	56.00 x 44.00	1422 x 1118
A62H6018SS6LP3PT	62.06 x 60.06 x 18.06	1576 x 1526 x 459	316L	A60P60	A60P60G	56.00 x 44.00	1422 x 1118
A74H6018SSLP3PT	74.06 x 60.06 x 18.06	1881 x 1526 x 459	304	A72P60	A72P60G	68.00 x 56.00	1727 x 1422
A74H6018SS6LP3PT	74.06 x 60.06 x 18.06	1881 x 1526 x 459	316L	A72P60	A72P60G	68.00 x 56.00	1727 x 1422
A74H7218SSLP3PT	74.06 x 72.06 x 18.06	1881 x 1830 x 459	304	A72P72	A72P72G	68.00 x 68.00	1727 x 1727
A74H7218SS6LP3PT	74.06 x 72.06 x 18.06	1881 x 1830 x 459	316L	A72P72	A72P72G	68.00 x 68.00	1727 x 1727
A74H7224SSLP3PT	74.06 x 72.06 x 24.06	1881 x 1830 x 611	304	A72P72	A72P72G	68.00 x 68.00	1727 x 1727
A74H7224SS6LP3PT	74.06 x 72.06 x 24.06	1881 x 1830 x 611	316L	A72P72	A72P72G	68.00 x 68.00	1727 x 1727

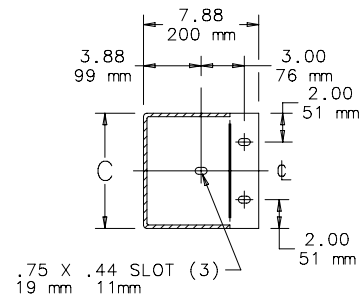
Purchase panels separately.



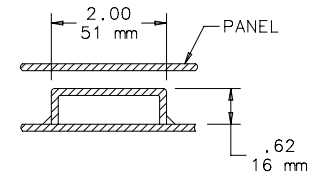
SECTION Y-Y



SECTION X-X



SECTION W-W



SECTION Z-Z

87784698