

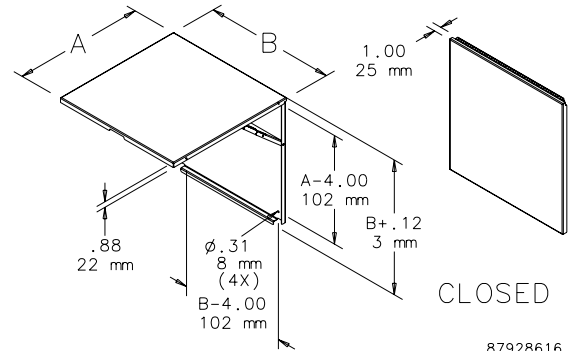
STAINLESS STEEL FOLDING SHELF



Supports instruments and test equipment used to install and maintain electrical components in an enclosure. Also ideally suited for supporting laptop computers, monitoring units and other equipment used with programmable controllers. The shelf can be installed on the inside or outside surface of larger Hoffman industrial enclosures (except PROLINE). Automatically locks in the horizontal position when raised. When not in use, the shelf folds down and projects only 1 in. (25 mm) from the mounting surface. Constructed of 304 stainless steel with a brushed finish. Maintains UL/CSA Type 4, 4X and 12 rating when properly installed on a Hoffman enclosure.

BULLETIN: A80

Catalog Number	Size Ax B in./mm	Maximum Distributed Load Rating (lb.)	Maximum Distributed Load Rating (kg)
ACSHELF1212SS	12.00 x 12.00 305 x 305	150	68
ACSHELF1818SS	18.00 x 18.00 457 x 457	150	68
ACSHELF2424SS	24.00 x 24.00 610 x 610	150	68



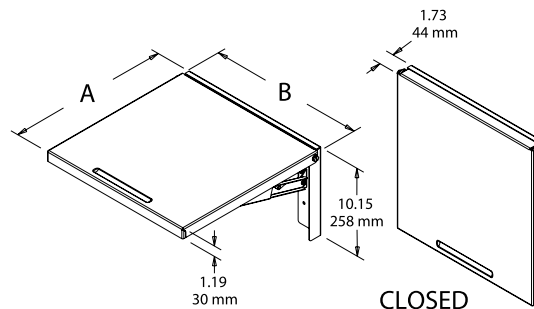
LARGE FOLDING SHELF



Supports instruments and test equipment used to install and maintain electrical components in an enclosure. Also ideally suited for supporting laptop computers, monitoring units and other equipment used with programmable controllers. The shelf can be installed on the inside or outside surface of larger Hoffman industrial enclosures (except PROLINE). Automatically locks in the horizontal position when raised. When not in use, the shelf folds down to 1.73 in. (44 mm) from the mounting surface. All parts are heavy gauge steel. Maintains UL/CSA Type 4 and 12 when properly installed on a Hoffman enclosure.

BULLETIN: A34Y

Catalog Number	Size Ax B in./mm	Maximum Distributed Load Rating (lb.)	Maximum Distributed Load Rating (kg)	Finish
AASHLF1218	18.00 x 12.00 457 x 305	150	68	White
AA61SHLF1218	18.00 x 12.00 457 x 305	150	68	Gray
AA35SHLF1218	18.00 x 12.00 457 x 305	150	68	Light gray
AASHLF1818	18.00 x 18.00 457 x 457	150	68	White
AA61SHLF1818	18.00 x 18.00 457 x 457	150	68	Gray
AA35SHLF1818	18.00 x 18.00 457 x 457	150	68	Light gray
AASHLF2424	24.00 x 24.00 610 x 610	150	68	White
AA61SHLF2424	24.00 x 24.00 610 x 610	150	68	Gray
AA35SHLF2424	24.00 x 24.00 610 x 610	150	68	Light gray



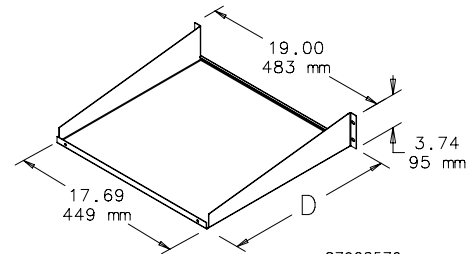
SINGLE-SIDED SHELF



Mounts to 19-in. rack angles to house voice/data networking equipment. RAL 9005 black finish. Load rating: 75 lb. (34 kg)

BULLETIN: DACCY

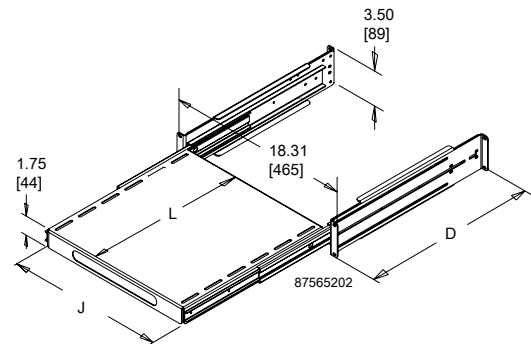
Catalog Number	H x W x D (in.)	H x W x D (mm)	Style	Rack Units
ESH198	3.74 x 19.00 x 8.00	95 x 483 x 203	Solid	2
ESH1915	3.74 x 19.00 x 15.00	95 x 483 x 381	Solid	2
ESH1915V	3.74 x 19.00 x 15.00	95 x 483 x 381	Vented	2
ESH1917	3.74 x 19.00 x 17.00	95 x 483 x 432	Solid	2



SLIDING EQUIPMENT SHELF

Steel Sliding Equipment Shelf mounts to front surface of front and back rack angles. Models fit 19- or 23-in. rack spacing. Adjusts to fit multiple-depth enclosures and rack angle placements. Shelf can be used on 2-post rack or cabinet with front rack angles only by reversing support bracket. Optional cable manager arm available. 14 gauge steel with 12 gauge supports and RAL 9005 black or RAL 7035 gray polyester powder paint finish. Load rating: 150 lb. (68.0 kg) with four corner mounting; 75 lb. (34.0 kg) with two-post or front-rack-angle cabinet mounting. Optional Cable Manager Arm is recommended to help control cable movement as shelf slides in and out.

BULLETIN: DACCY, P20



Catalog Number	D Max. (in.)	D Max. (mm)	L (in.)	L (mm)	J (in.)	J (mm)	Shelf Pullout (in.)	Shelf Pullout (mm)	Fits Rack	Rack Units	Color
P19SHP68B	37.40	950	16.72	425	16.20	412	17.00	432	19 in.	2	Black
P19SHP68	37.40	950	16.72	425	16.20	412	17.00	432	19 in.	2	Gray
P19SHP810B	41.30	1050	24.59	625	16.20	412	17.00	432	19 in.	2	Black
P19SHP810	41.30	1050	24.59	625	16.20	412	17.00	432	19 in.	2	Gray
P23SHP68B	37.40	950	16.72	425	20.20	513	17.00	432	23 in.	2	Black
P23SHP68	37.40	950	16.72	425	20.20	513	17.00	432	23 in.	2	Gray
P23SHP810B	41.30	1050	24.59	625	20.20	513	17.00	432	23 in.	2	Black
P23SHP810	41.30	1050	24.59	625	20.20	513	17.00	432	23 in.	2	Gray

CABLE MANAGER ARM FOR SLIDING EQUIPMENT SHELF

Cable Manager Arm mounts to back of sliding equipment shelf on right or left side. Controls cable movement as shelf slides in and out. 14 gauge steel with RAL 9005 black polyester powder paint finish.

BULLETIN: DACCY

Catalog Number	Description	Use With
PHCB	Cable Manager Arm	Sliding Equipment Shelf

