

# Load Centers and Circuit Breakers

## PowerMark Gold and Plus Load Centers

# Section 1

Product Number Guides

### Product Number Guide for Load Centers

(Product number for illustrative purposes only)

<b>T</b>	<b>M</b>	<b>42</b>	<b>4</b>	<b>20</b>	<b>C</b>	<b>CU</b>	<b>B</b>
<b>GE Identification</b>							
<b>Type</b>							
M = Main breaker							
L = Main lug							
LM = Convertible							
PL = Main lug (Thermoplastic)							
<b>Maximum Number 1" Spaces</b>							
2, 4, 6...42							
<b>Insert for 3-Phase 4-Wire Load Centers</b>							
						<b>Insert for Specials</b>	
						G or T = Factory installed ground bar	
						B = Bottom feed main breaker	
						FL = Factory installed feed-through lugs	
						D = Optional door for 6-8 circuit panel. (Doors standard on all units 12 circuits or greater)	
						W = White Front	
						<b>Insert for PowerMark Gold</b>	
						CU = Copper Bus	
						42 = Copper Bus Full 42 circuit panel	
						<b>Enclosure Type</b>	
						C = Combination surface/flush	
						F = Flush	
						S = Surface	
						R = Outdoor	
						<b>Bus Ampere Rating</b>	
						40 = 40 Amps      20 = 200 Amps	
						70 = 70 Amps      22 = 225 Amps	
						10 = 100 Amps     30 = 300 Amps	
						12 = 125 Amps     40 = 400 Amps	
						15 = 150 Amps     60 = 600 Amps	

### Product Number Guide for Q-Line Plug-in Circuit Breakers

(Product number for illustrative purposes only)

<b>T</b>	<b>H</b>	<b>QL</b>	<b>1</b>	<b>1*</b>	<b>15</b>	<b>GFT</b>	
<b>GE Identification</b>							
<b>Interrupting Rating</b>							
H = 10kAIC							
HH = 22kAIC							
X = 65kAIC							
<b>Type</b>							
QL = 1" plug-in							
QP = 1/2" plug-in							
QB = 1" bolt-on							
<b>Poles (1, 2, 3)</b>							
						<b>Ground Fault/Arc Fault Circuit Interrupter</b>	
						AF2 = 1- & 2-pole Combination Arc Fault Circuit Interrupter	
						GFEP = 1- & 2-pole Ground Fault with Equipment Protection Interrupter-30 mA	
						GFT = 1- & 2-pole Ground Fault with Self-Test Feature Interrupter - 5 mA	
						DF = 1-pole Dual Function GFCI/AFCI Ground Fault & Combination Arc Fault Circuit Interrupter	
						<b>Ampere Rating</b>	
						<b>Voltage</b>	
						1 = 120/240V	
						2 = 240V	

\*Omit character for THQP breakers, which are all 120/240V.



# Load Centers and Circuit Breakers

## PowerMark Gold Meter Socket Load Centers

### Single-Phase, Three-Wire, 120/240 Vac

With Bonded Neutrals

## Section 1

Meter Socket LC  
1PH  
Ring Type  
Farm Panel  
Main Breaker  
NEMA 3R

### Ring Type - Farm Panel - Main Breaker

Main Ampere Rating	1 Pole, 1" Spaces	2 Pole, 1" Spaces	1 Pole, 1/2" Spaces	2 Pole, 1/2" Spaces	Total 1-pole Spaces	Enclosure Type	Front Type	Bypass Type	UL Incoming	Agency Certification	Product Number
200	4	2	8	3	8	Outdoor (NEMA 3R)	Surface	None	OH/UG	UL EUSERC	TSF420CSCU <sup>1,2</sup>

<sup>1</sup>Devices include removable closing cap. Order hub separately. See page 1-27.

<sup>2</sup>Separate field mounted service disconnect can be added, THQL/THHQL. See wiring diagram on page 1-36.

### Application Data

Product Number	Box Number	Unit Width (in inches)	Unit Height (in inches)	Depth (in inches)	Factory Inst. Svcs Disc	Field Inst. Svcs Disc	Main Wire Size (AWG/kcmil) Cu-Al	Equipment Ground Kit
TSF420CSCU	R16	16-3/4	33	6-3/16	THQMV	THQL/THHQL	1-300	TGK12 (order separately)

### Ring Type Feed-Thru - Main Breaker

Main Ampere Rating	1 Pole, 1" Spaces	2 Pole, 1" Spaces	1 Pole, 1/2" Spaces	2 Pole, 1/2" Spaces	Total 1-pole Spaces	Enclosure Type	Front Type	Bypass Type	UL Incoming	Agency Certification	Product Number
150	4	2	8	3	8	Outdoor (NEMA 3R)	Surface	None	OH/UG	UL	TSM415CSCU <sup>1</sup>
150	8	4	16	6	16	Outdoor (NEMA 3R)	Surface	None	OH/UG	UL	TSM815CSCU <sup>1</sup>
150	8	4	16	6	16	Outdoor (NEMA 3R)	Surface	None	OH/UG	UL	TSM815CSFL <sup>1</sup>
200	4	2	8	3	8	Outdoor (NEMA 3R)	Surface	None	OH/UG	UL	TSM420CSCU <sup>1</sup>
200	8	4	16	6	16	Outdoor (NEMA 3R)	Surface	None	OH/UG	UL	TSM820CSCU <sup>1</sup>
200	8	4	16	6	16	Outdoor (NEMA 3R)	Surface	None	OH/UG	UL	TSM820CSFL <sup>1</sup>

<sup>1</sup>Devices include removable closing cap. Order hub separately. See page 1-27.

### Application Data

Product Number	Box Number	Unit Width (in inches)	Unit Height (in inches)	Depth (in inches)	Factory Inst. Svcs Disc	Main Wire Size (AWG/kcmil) Cu-Al	Equipment Ground Kit
TSM415CSCU	R36	14	28-1/2	4-1/2	THQMV	6-350	TGL2 included
TSM815CSCU	R16	16-3/4	33	6-3/16	THQMV	1-300	TGK12 (order separately)
TSM815CSFL	R37B	14	31-3/4	4-1/2	THQMV	6-350	TGK24 included
TSM420CSCU	R36	14	28-1/2	4-1/2	THQMV	6-350	TGL2 included
TSM820CSCU	R16	16-3/4	33	6-3/16	THQMV	6-350	TGK12 (order separately)
TSM820CSFL	R37B	14	31-3/4	4-1/2	THQMV	6-350	TGK24 included



# Load Centers and Circuit Breakers

## PowerMark Gold and Plus Load Centers

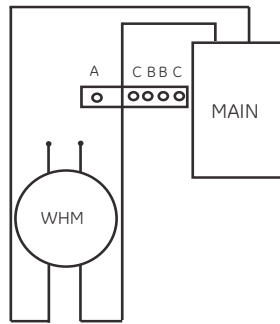
### Circuit Breakers

# Section 1

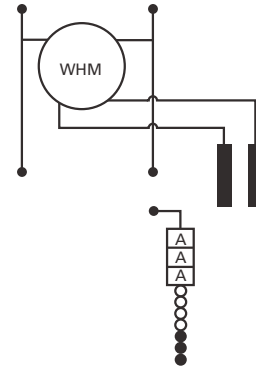
### Wiring Diagrams

Breaker Symbol	Breaker Fill	
	1" THQL	1/2" THQP
	1	—
	1	2

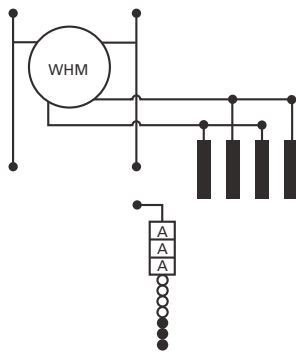
Terminal Symbol	Wire Range (AWG/kcmil)	
	Cu	Al
o	14-8	12-8
•	14-4	12-4
A	6-2	6-2
B	14-1/0	12-1/0
C	6-2/0	6-2/0
D	1-300	2/0-300
E	1-300	1-300
F	6-1	6-1
G	6-3	6-3



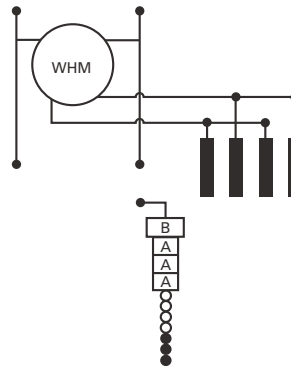
TM10RMC, TM12RMC, TM15RMC, TM20RMC,  
TSMR015CSGP, TSMR020CSGP



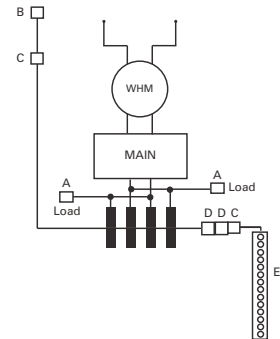
TSL210CSCU, TSL210CFUC



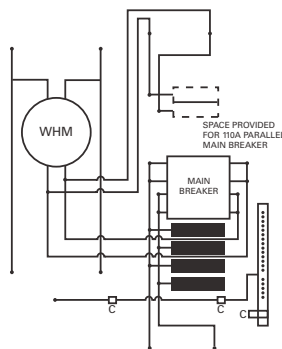
TSL412CSCU



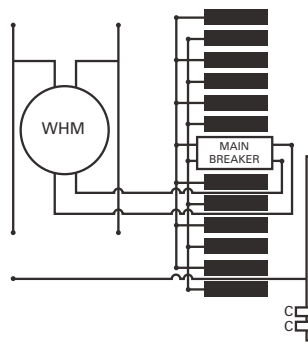
TSL420CSCU, TSL420CFUC



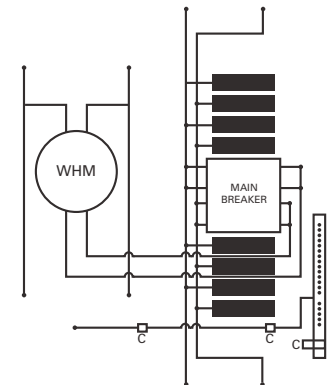
TSM415CSCU, TSM420CSCU, TSMF415CSFL,  
TSMF420CSFL, TSMR415CSCUGP, TSMR420CSCUGP,  
TSMR415CSFLFMG, TSMR420CSFLFMG



TSF420CSCU



TSM1212CSCU, TSM1212CFUC



TSM815CSCU, TSM820CSCU

