



► Model FB2PST and FB2PST-I

Fireball® Strobe Warning Light

The Fireball strobe warning light is an economical solution to a wide variety of stationary and vehicular warning requirements.

The 24VDC Model FB2PST-I features a voltage in-rush limiting PCB design that provides greater compatibility with factory automation control systems and less electrical interference with in-rush sensitive devices.

The Fireball features a unique dome that twists off easily for quick dome and lamp replacements. The base features an integrated 1/2-inch NPT pipe mount base as well as the three holes required for surface mount configurations. The Fireball dome and base design provides a water-tight, dust-tight and corrosion-resistant Type 4X rating.

The Fireball is especially effective in industrial hazard warning, process control, status indication and in areas with high ambient noise levels. It is ideal for industrial applications where a vibration-resistant light is required.

FEATURES

- Available in 12-24VDC, 24VDC, 120VAC and 240VAC
- Six dome colors: Amber, Blue, Clear, Green, Magenta and Red
- 10,000 hour strobe tube
- Integrated 1/2-inch NPT pipe and surface mount
- Indoor/outdoor use
- Type 4X, IP66 enclosure
- UL and cUL Listed and CSA Certified

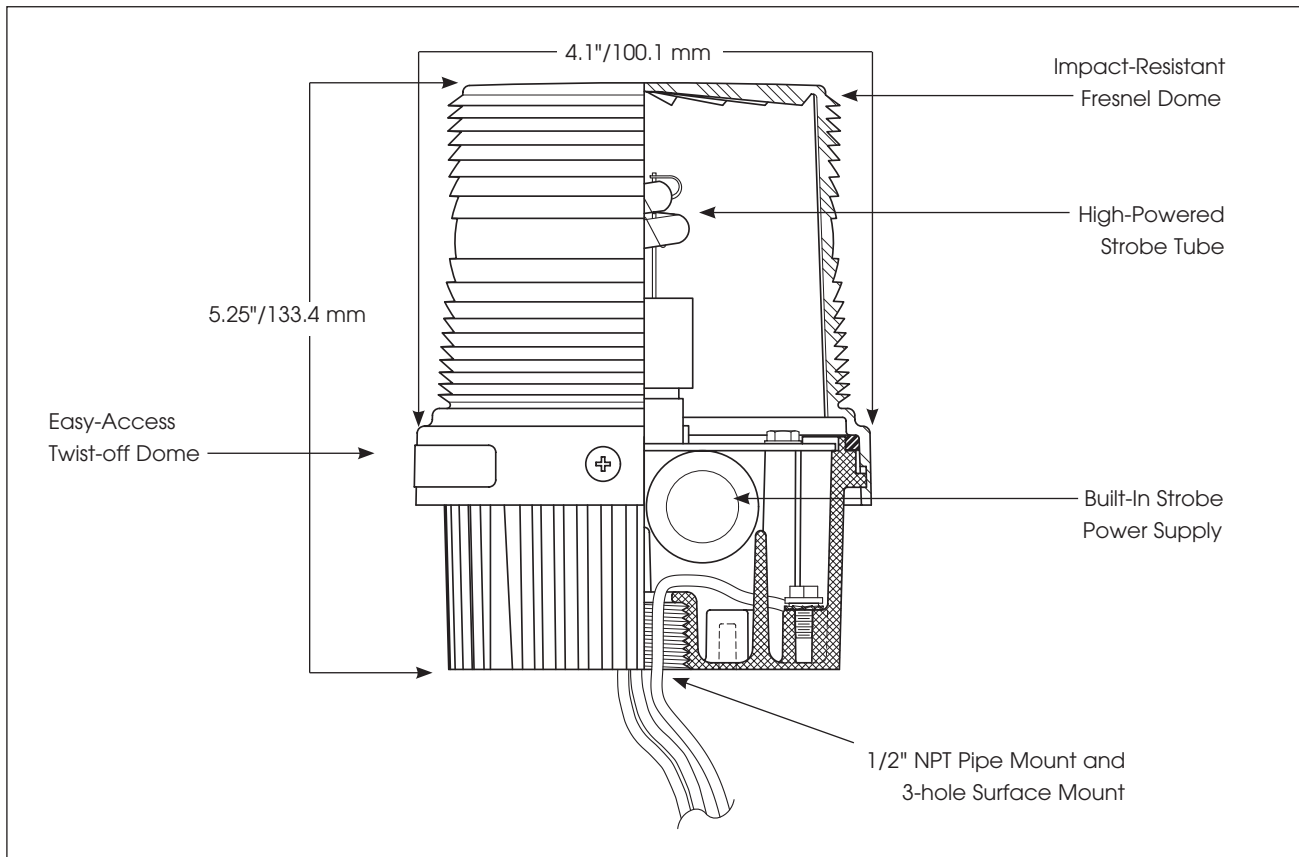
MODEL	VOLTAGE	OPERATING CURRENT	FLASH RATE/ MINUTE	CANDELA		MOUNT
				PEAK ¹	ECP ²	
FB2PST-012-024 *	12-24VDC	1.70-0.70 amps	80	1,000,000	300	1/2" NPT Pipe/Surface
FB2PST-I-024 *	24VDC	0.70 amps (2.0 amp In-rush)	80	1,000,000	300	1/2" NPT Pipe/Surface
FB2PST-120 *	120VAC 50/60Hz	0.25 amps	90	1,000,000	300	1/2" NPT Pipe/Surface
FB2PST- 240 *	240VAC 50/60Hz	0.20 amps	90	1,000,000	300	1/2" NPT Pipe/Surface

* Indicates color: (A) Amber, (B) Blue, (C) Clear, (G) Green, (M) Magenta or (R) Red

¹ Peak candela is the maximum light intensity generated by a flashing light during its light pulse

² ECP (Effective Candela) is the intensity that would appear to an observer if the light were burning steadily

Fireball® Strobe Warning Light (FB2PST/FB2PST-I)



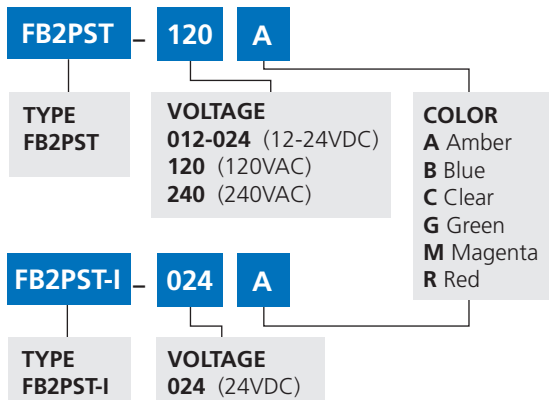
SPECIFICATIONS

Lamp Life:	10,000 Hours	
Light Source:	Strobe tube	
Operating Temperature:	-31°F to 150°F	-35°C to 66°C
Net Weight:	2.0 lbs	0.9 kg
Shipping Weight:	2.12 lbs	0.96 kg
Height:	5.25"	133.4 mm
Diameter:	4.10"	100.1 mm

REPLACEMENT PARTS

Description	Part Number
Dome, Amber	K8550320A
Dome, Blue	K8550320A-01
Dome, Clear	K8550320A-02
Dome, Green	K8550320A-03
Dome, Magenta	K8550320A-05
Dome, Red	K8550320A-04
PC Assembly, 120VAC	K200D866G
PC Assembly, 240VAC	K200D866G-01
Strobe Tube, Series A4, A5, B	K8107177A

HOW TO ORDER



OPTIONAL ACCESSORIES

Description	Part Number
Corner Bracket	LCMB2*
Wall Bracket	LWMB2*
Hazardous Location Mounting Bracket	LHWB

*Not Type 4X rated

Mounting Brackets shown on pages 128-131