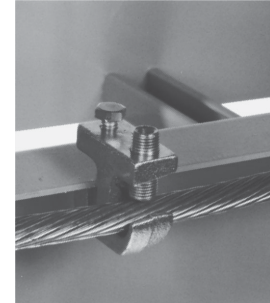
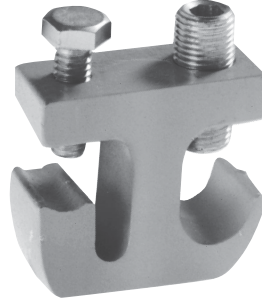


## Applications:

Cable tray grounding conductor clamps are designed for use in heavy industrial applications:

- To provide a means for securely attaching a grounding conductor to cable tray to maintain grounding continuity for the entire cable tray system
- To provide protection of equipment through a reliable method for carrying ground fault currents
- To meet UL and NEC Code requirements
- For installation indoors or outdoors, with most types of cable trays with inside or outside flanges

## Ordering Information



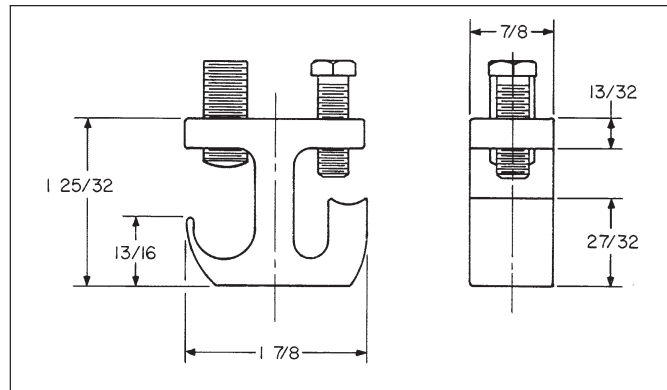
TGC Clamp installs on cable trays with inside or outside flanges

Ground Wire Size	Cat. #
#6 to 3/0	TGC40

## Features:

- Meets requirements of NEC Code Article 318-7 for grounding and bonding
- Quick and easy installation – low installed cost. No drilling or special tools required.
- Accommodates solid (where suitable) or stranded aluminum or copper grounding conductors in sizes from #6 to 3/0
- Set screw bonds the clamp to the tray and another set screw securely attaches the grounding conductor to the clamp – outstanding pull-out and vibration resistance
- Design accommodates most popular types of cable tray
- Mechanical device – can be easily inspected
- Malleable iron body provides high strength

## Dimensions In Inches:



## Certifications and Compliances:

- UL Standard: 467 (Grounding and Bonding Equipment)

## Standard Materials:

- Body – malleable iron
- Set screws – steel

## Standard Finishes:

- Malleable iron and steel – electrogalvanized