

## RH Type - Neoprene Vibration Hanger

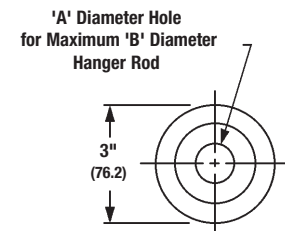
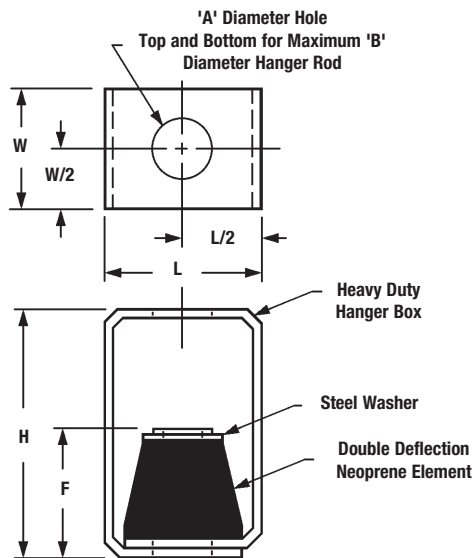


**Use:** RH series neoprene hangers are suggested to dampen noise and minor vibration from suspended high speed equipment (1200 RPM or greater). To be used in-line with all thread rod for single and trapeze type support systems.

**Features:** Color-coded neoprene in-shear insert for load identification. Loads to 2000 Lbs. (8.89kN) with deflections to .50" (12.7mm). RH hangers are available with a 30° rod swing (must specify). Hanger units are shipped assembled.

**Typical Applications:** Suspended mechanical equipment, exhaust fans, ductwork, piping, ceilings, etc. When equipment is suspended from vibration sensitive spans, avoid using RH type hangers. Higher deflection hangers such as the HS and HES series are recommended.

**Note:** Vibration hangers should not come in direct contact with equipment being suspended.



Dimensions of Neoprene Element

Part No.	Rated Load		Isolator Deflection		Dimensions in Inches (mm)						Wt. Each	
	Lbs.	(kN)	in.	(mm)	L	W	H	F	A	B	Lbs.	(kg)
RHB-Black	60-100	(.27-.44)	.50"	(12.7)	2 <sup>3</sup> / <sub>4</sub> "	2"	4 <sup>1</sup> / <sub>2</sub> "	2"	3/ <sub>4</sub> "	5/ <sub>8</sub> "	2.0	(.9)
RHB-Red	100-175	(.44-.78)	.50"	(12.7)	(69.8)	(50.8)	(114.3)	(50.8)	(19.0)	(15.9)		
RHC-Green	175-300	(.78-1.33)	.50"	(12.7)	2 <sup>3</sup> / <sub>4</sub> "	2"	4 <sup>1</sup> / <sub>2</sub> "	2"	3/ <sub>4</sub> "	5/ <sub>8</sub> "	3.0	(1.4)
RHC-Purple	300-700	(1.33-3.11)	.50"	(12.7)	(69.8)	(50.8)	(114.3)	(50.8)	(19.0)	(15.9)		
RHD-Yellow	700-1100	(3.11-4.90)	.50"	(12.7)	3"	2"	7"	2"	3/ <sub>4</sub> "	5/ <sub>8</sub> "	4.0	(1.8)
RHD-Pink	1100-2000	(4.90-8.90)	.50"	(12.7)	(76.2)	(50.8)	(177.8)	(50.8)	(19.0)	(15.9)		

All dimensions in charts and on drawings are in inches. Dimensions shown in parentheses are in millimeters unless otherwise specified.